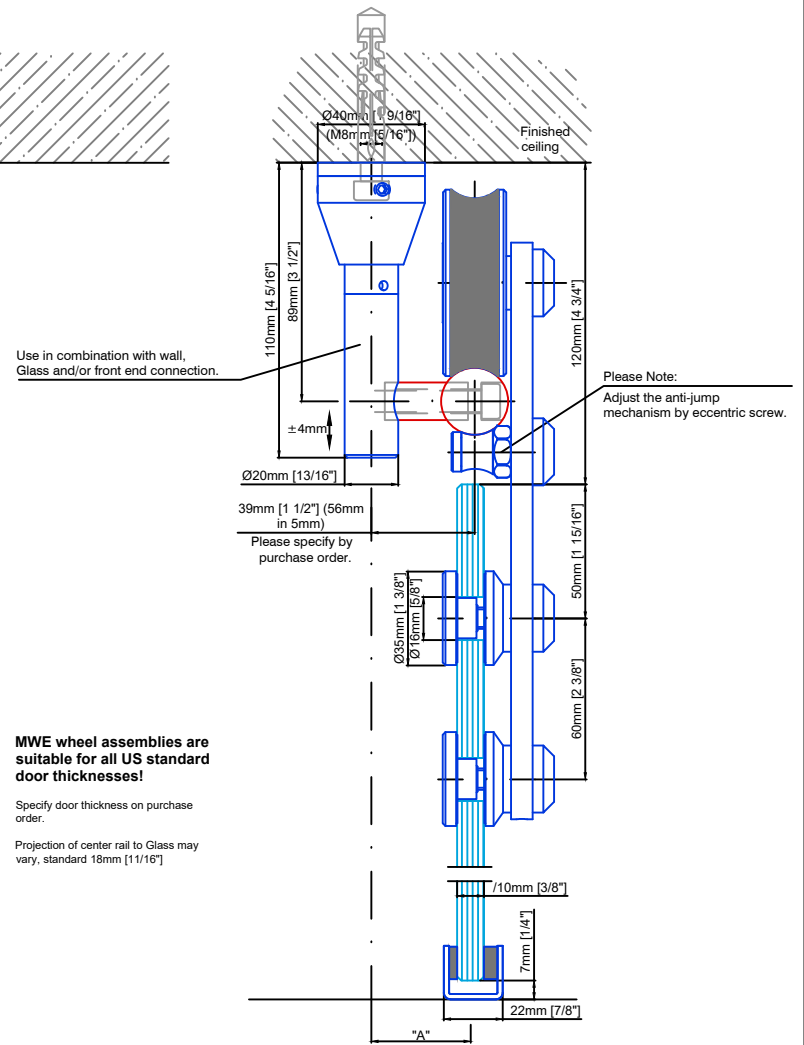
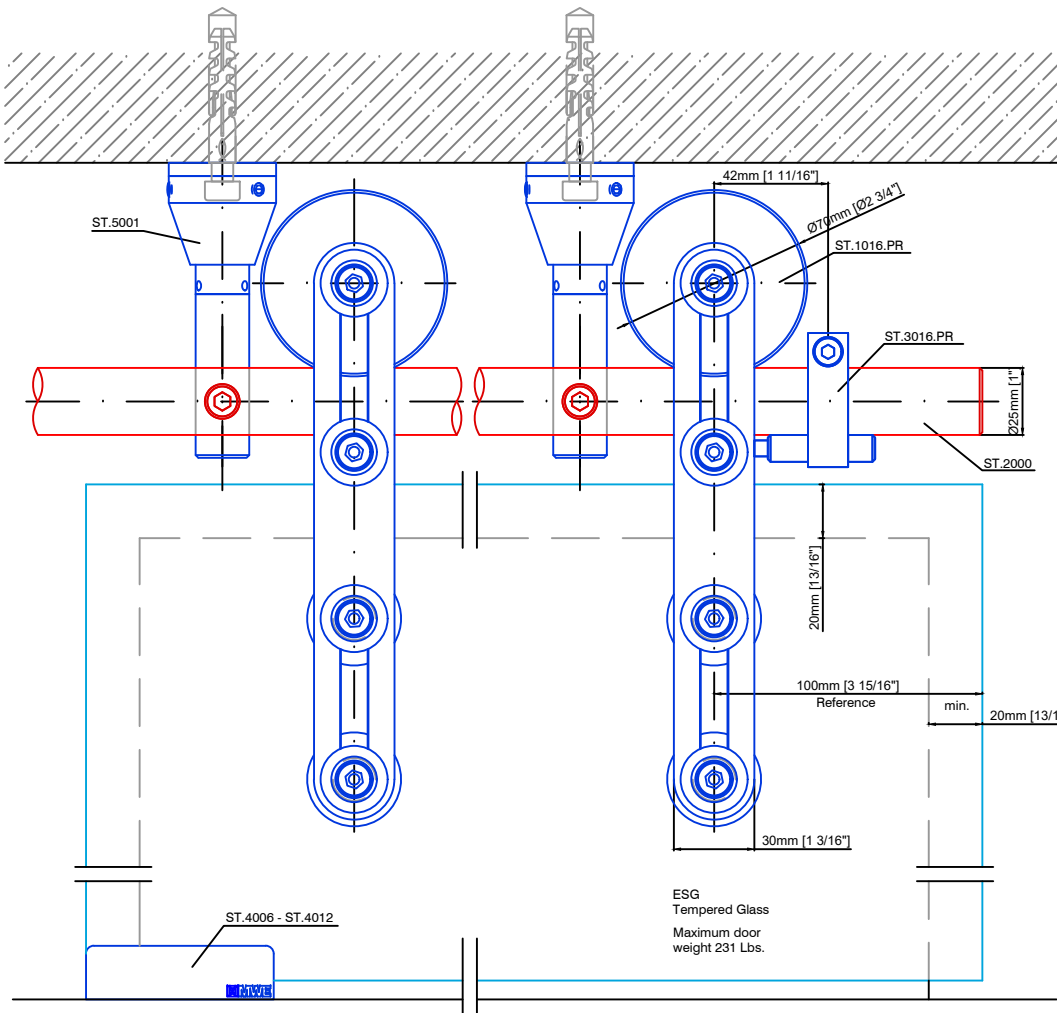


Technical drawings are subject to change without notice.
All millimeter dimensions are exact and supersede inch conversions.

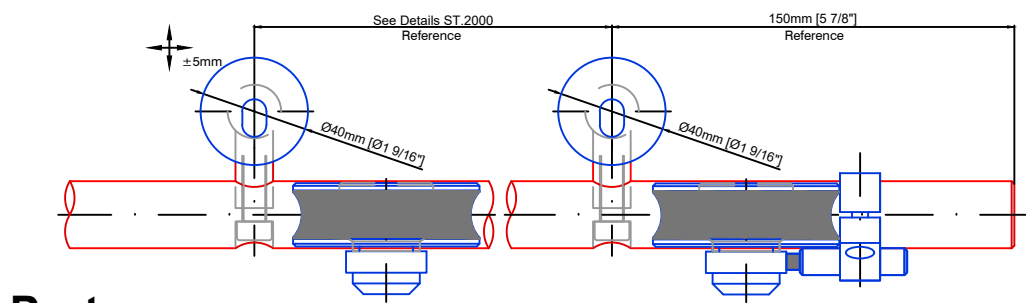
Copyright MWE NA Inc., all rights reserved. Reproduction or other use of these designs without written consent from MWE NA Inc. is prohibited.



MWE wheel assemblies are suitable for all US standard door thicknesses!
Specify door thickness on purchase order.
Projection of center rail to Glass may vary, standard 18mm [11/16\"/>

dimension	Glass 8mm	10mm	12mm
A	38mm	37mm	36mm

dimension	Glass 5/16"	3/8"	1/2"
A	1 1/2"	1 7/16"	1 7/16"



Protec ST.1016.PR

Date Prepared: July 2018 | Prepared By: CDA | JRT



North America
Email: info@mwe-na.com
www.mwe-na.com