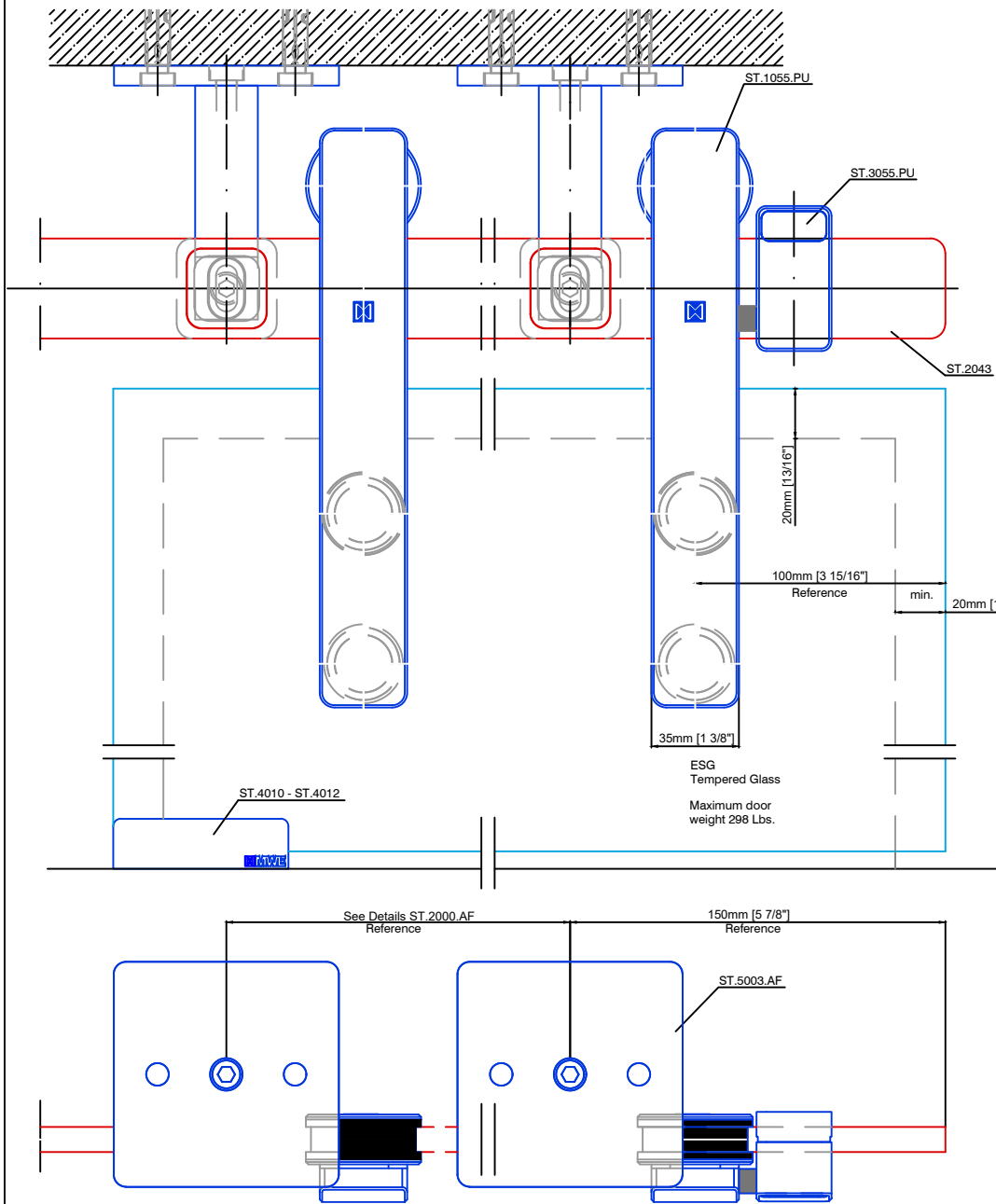


Technical drawings are subject to change without notice.
 All millimeter dimensions are exact and supersede inch conversions.

Copyright MWE NA Inc., all rights reserved. Reproduction or other use of these designs without written consent from MWE NA Inc. is prohibited.

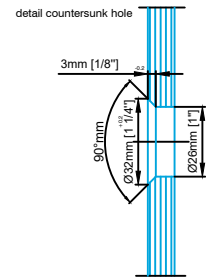
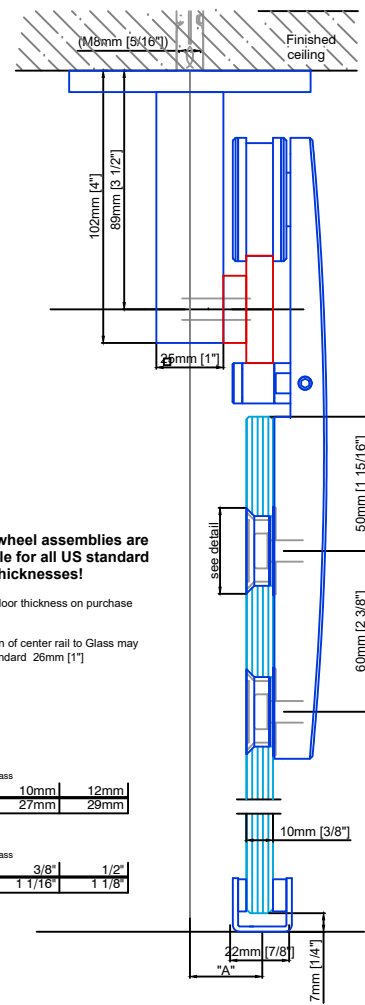


MWE wheel assemblies are suitable for all US standard door thicknesses!

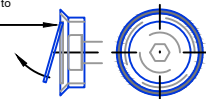
Specify door thickness on purchase order.
 Projection of center rail to Glass may vary, standard 26mm [1"]

dimension	Glass	10mm	12mm
	A	27mm	29mm

dimension	Glass	3/8"	1/2"
	A	1 1/16"	1 1/8"



Detail: countersunk single-point drilling
 press border to open cover



Purist ST.1055.PU

Date Prepared: July 2018

Prepared By: CDA | JRT



Email: info@mwe-na.com
www.mwe-na.com