

# NanaWall

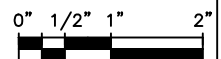
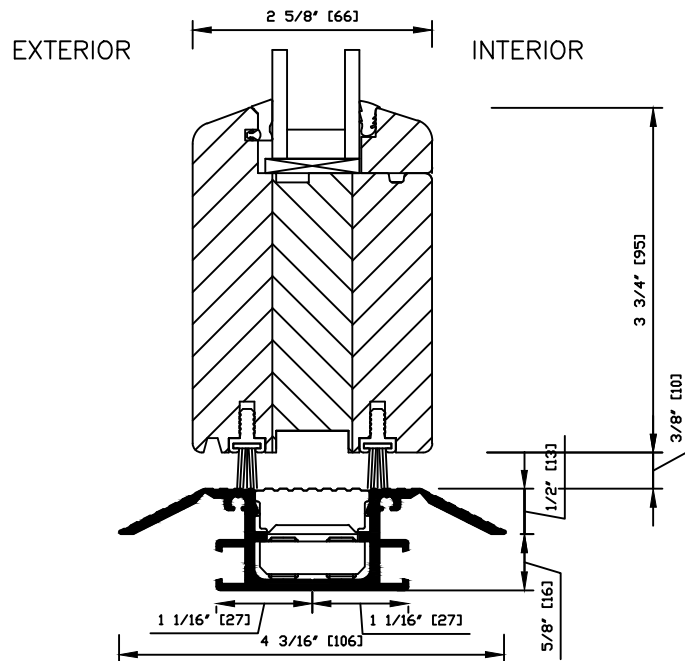
HSW 66

SECTION DETAIL

DETAIL 2.30

SURFACE MOUNTED SILL

"TO BE USED IN INTERIOR APPLICATION ONLY"



CAD FILE NAME: HSW66230