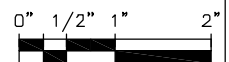
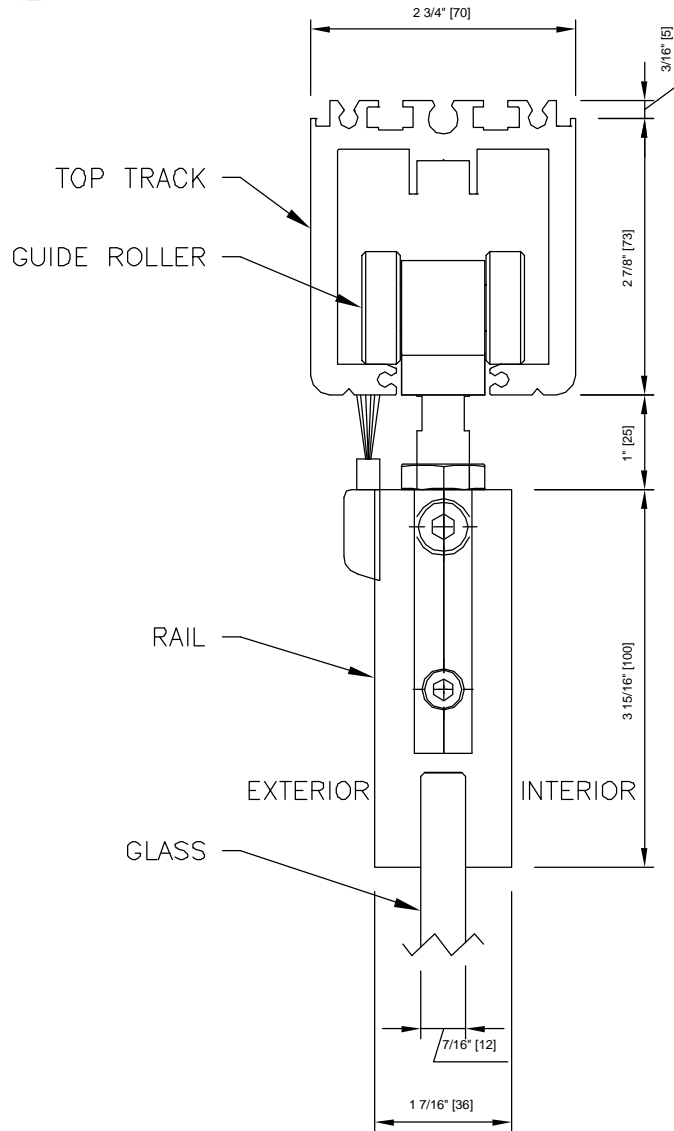


NanaWall

FSW75C

HEAD PROFILE

SECTION DETAIL DETAIL 1



CAD FILE NAME: FSW75C10