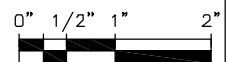
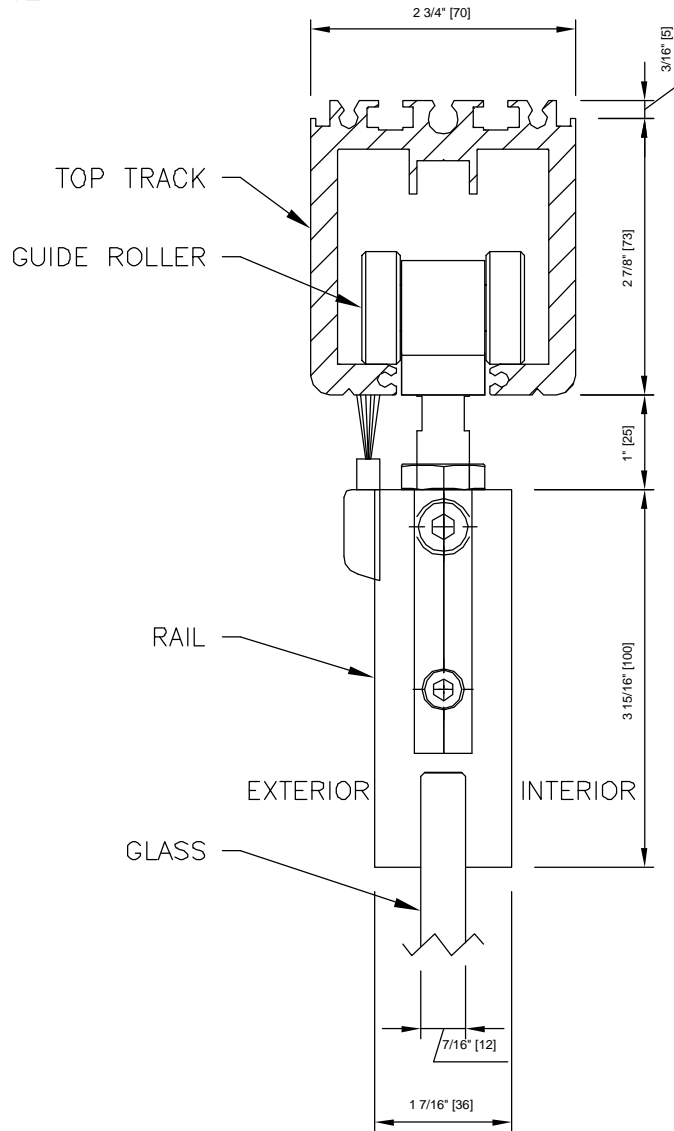


NanaWall

FSW75 F

HEAD PROFILE

SECTION DETAIL
DETAIL 1.0



CAD FILE NAME: FSW75F_10