

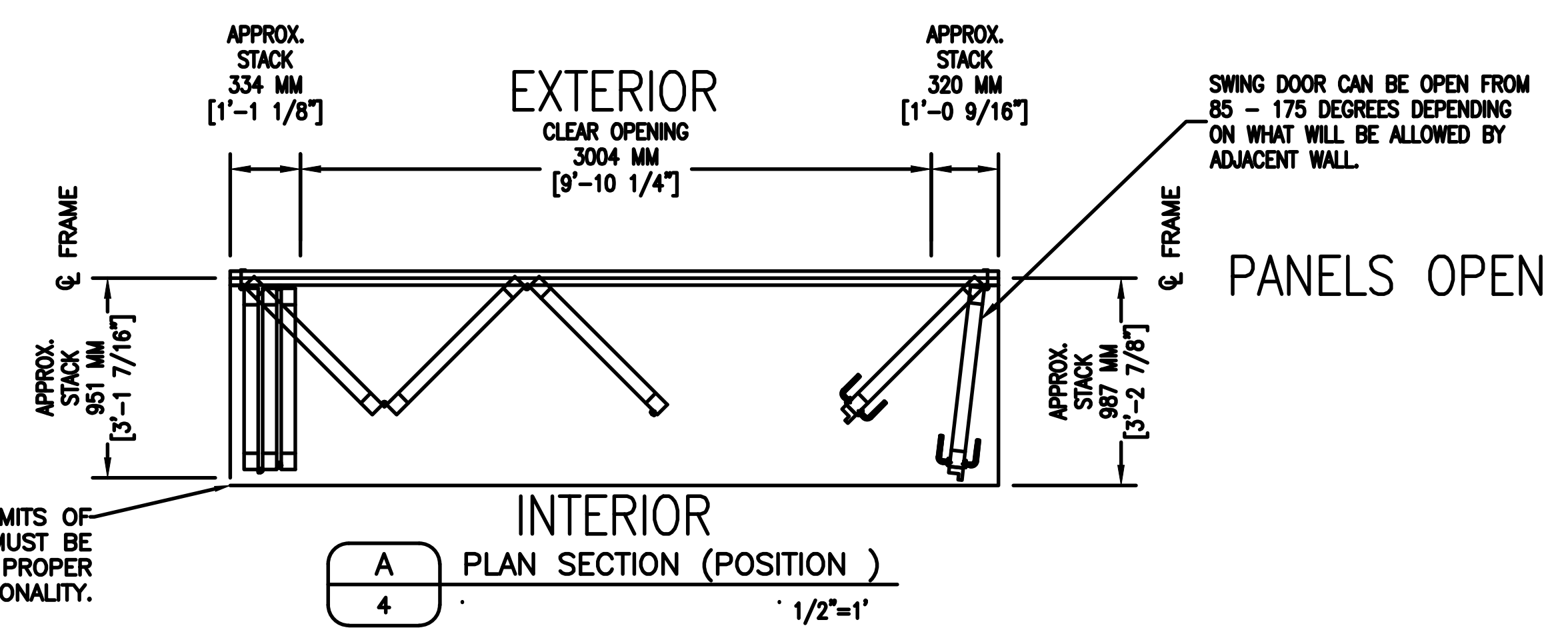
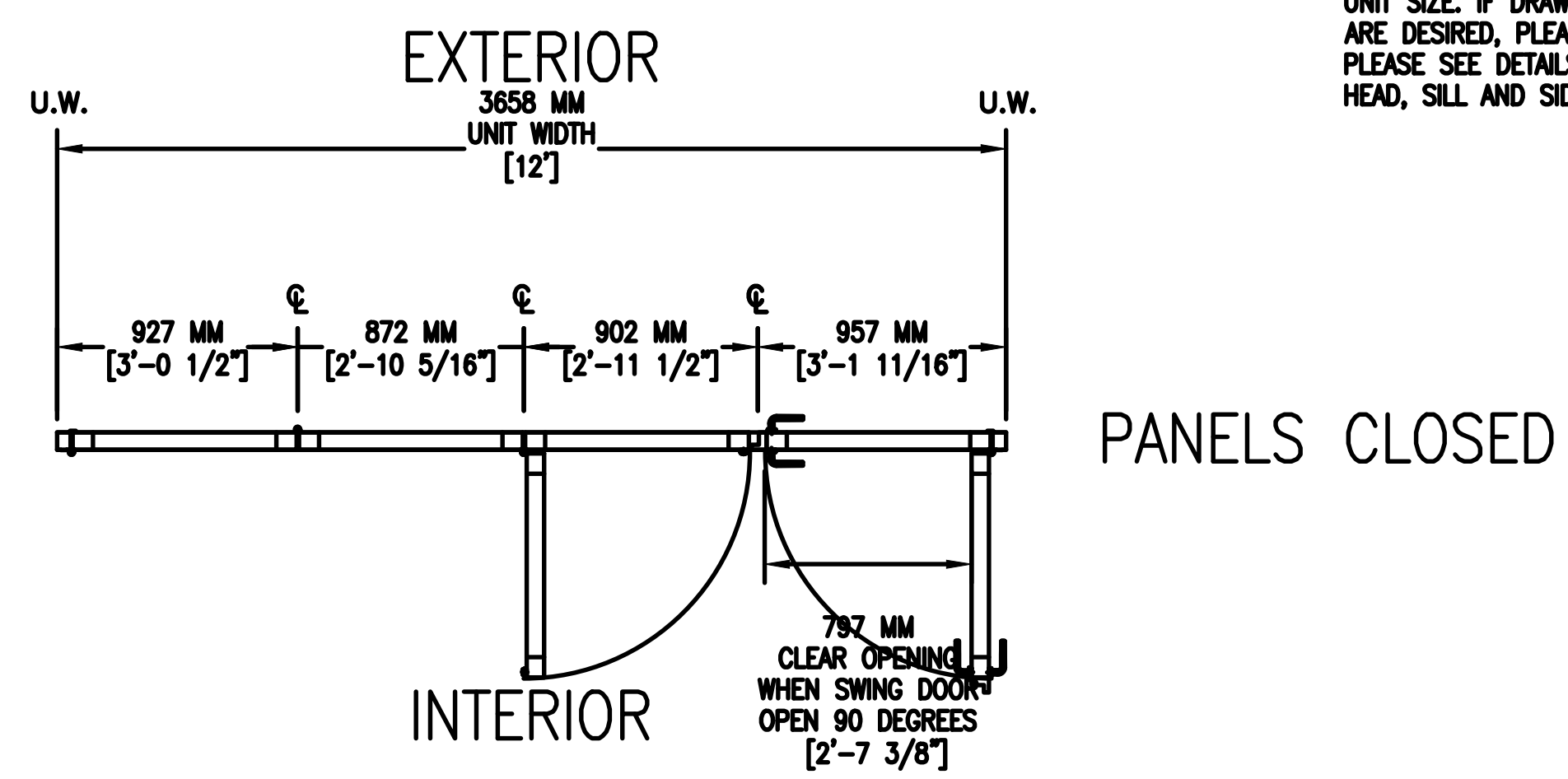
1 ELEVATION - POSITION

3 QUANTITY [1] (TYPICAL: ELEVATIONS SHOWN FROM INTERIOR)

NANA WALL SL64 ACOUSTICAL CONFIGURATION: INWARD 3 LEFT - INWARD 1 RIGHT SILL TYPE: MINIMAL MOUNT OPTION: FLOOR

* FIRST PANEL OPEN

NOTE: FOR SUGGESTED ROUGH OPENING DIMENSION PLEASE SEE FRAME SECTION DETAILS ON FOLLOWING DETAIL SHEET THESE DRAWINGS ARE BASED ON A UNIT HEIGHT OF 8' AND UNIT WIDTH IN INCREMENTS OF 3' FOR EACH PANEL. THE PURPOSE IS ONLY TO SHOW RELEVANT CROSS SECTION DETAILS AND VARIOUS DIMENSIONS APPLICABLE ONLY FOR THIS SPECIFIC UNIT SIZE. IF DRAWINGS FOR OTHER UNIT SIZES ARE DESIRED, PLEASE CONTACT NANAWALL. PLEASE SEE DETAILS TAB FOR CROSS SECTIONS OF HEAD, SILL AND SIDE JAMB



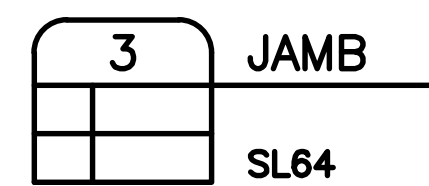
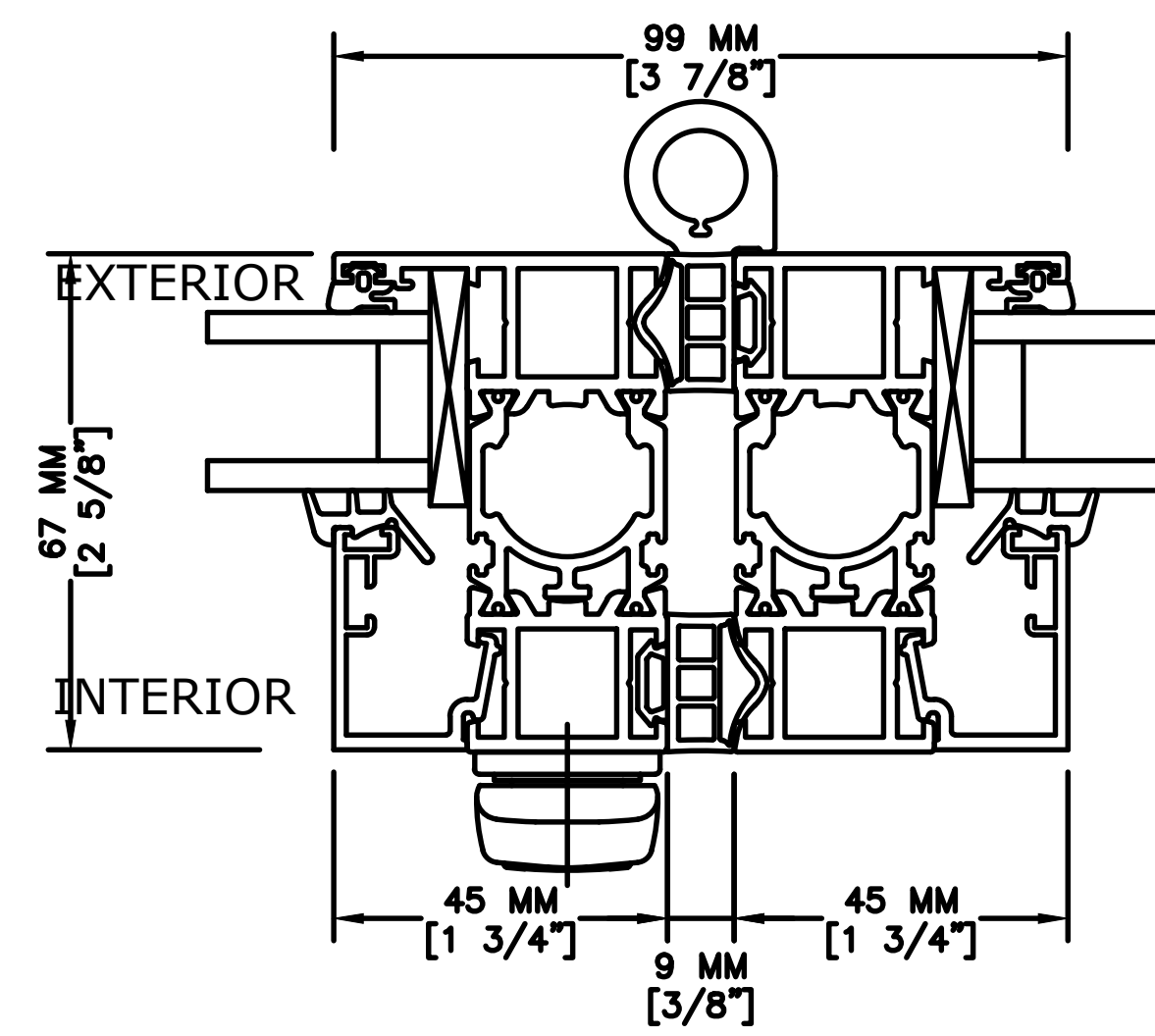
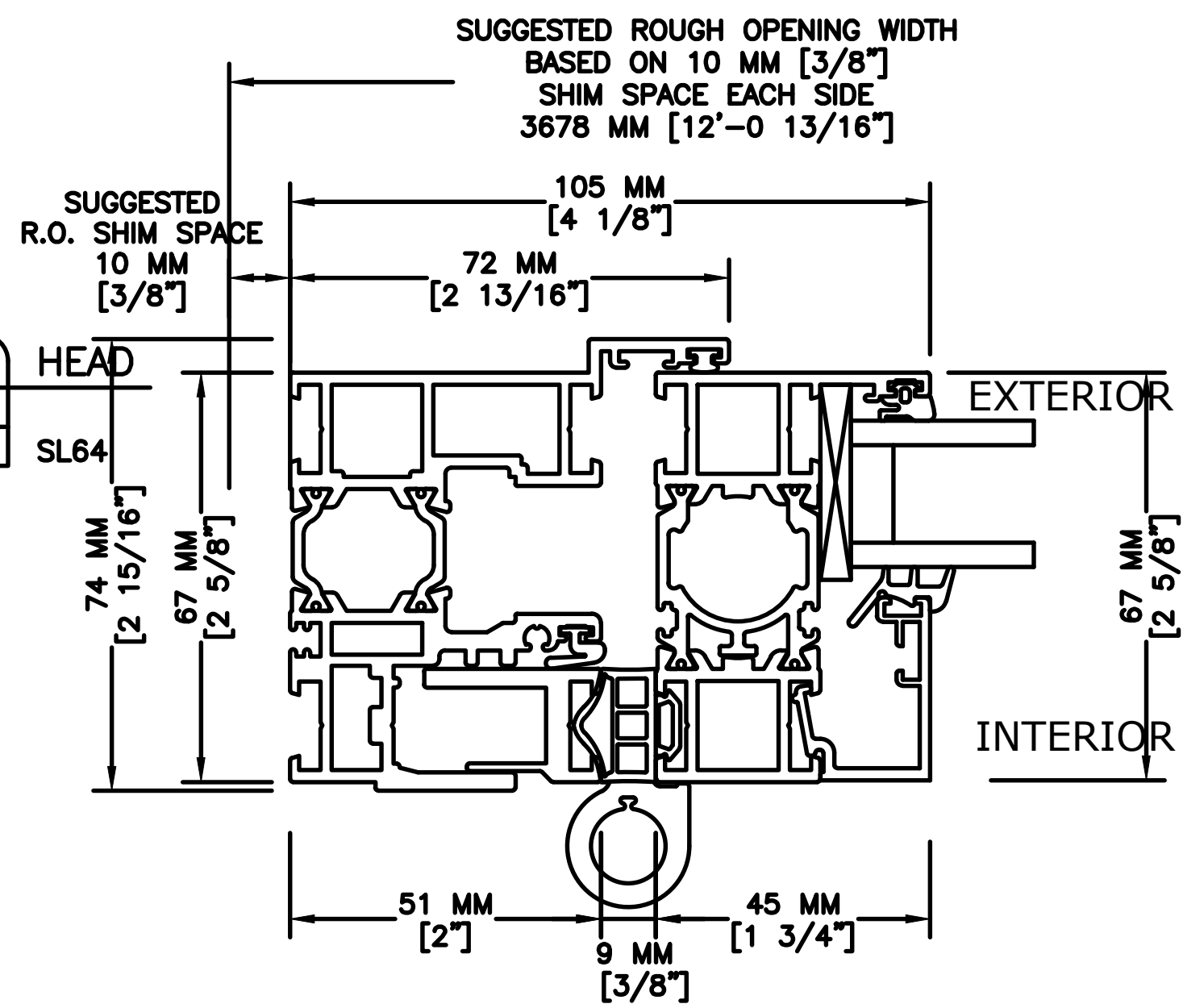
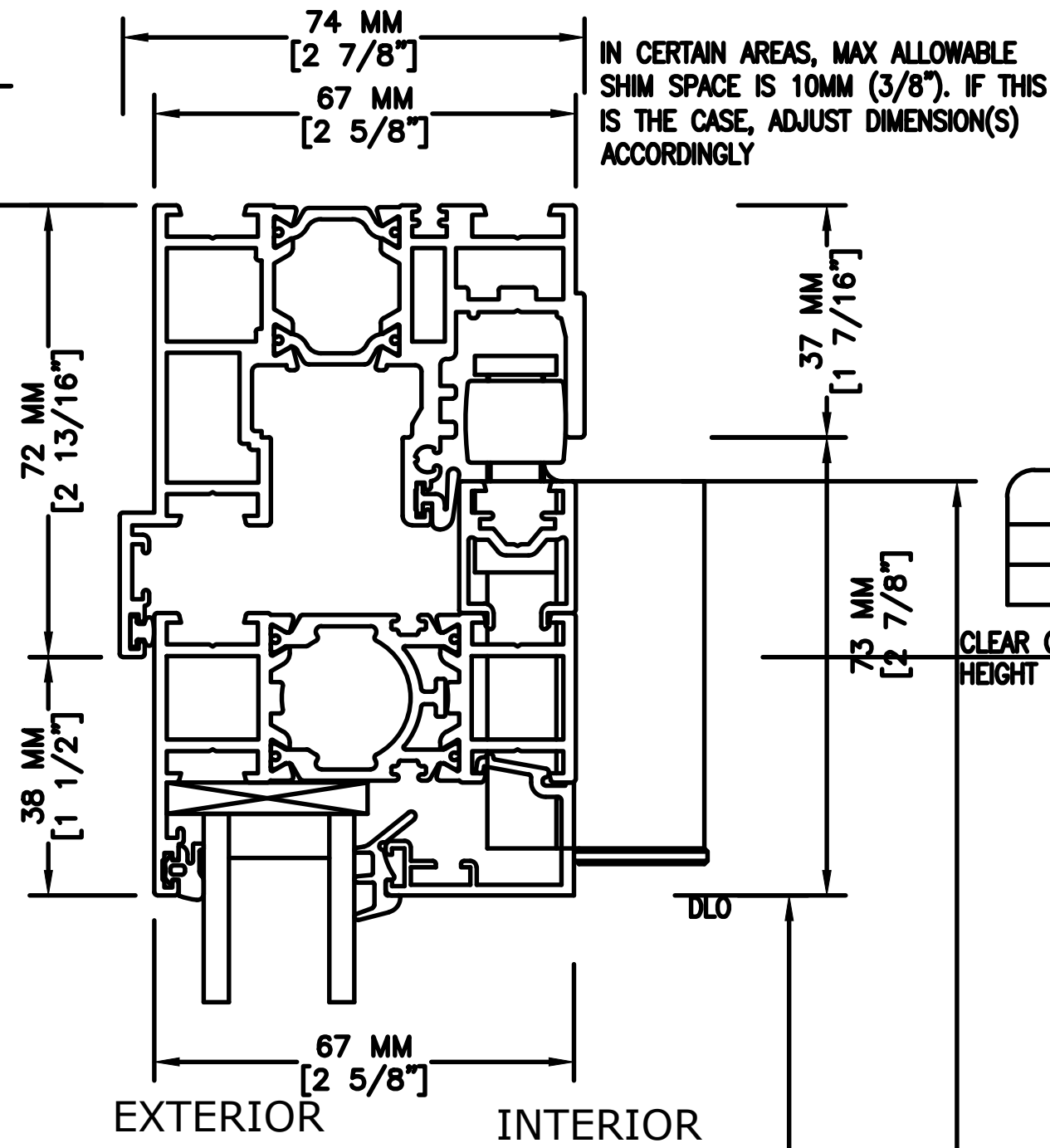
DASHED LINE INDICATES LIMITS OF FINISH FLOORING THAT MUST BE CLEAR AND LEVEL FOR PROPER OPERABLE FUNCTIONALITY.

A PLAN SECTION (POSITION)

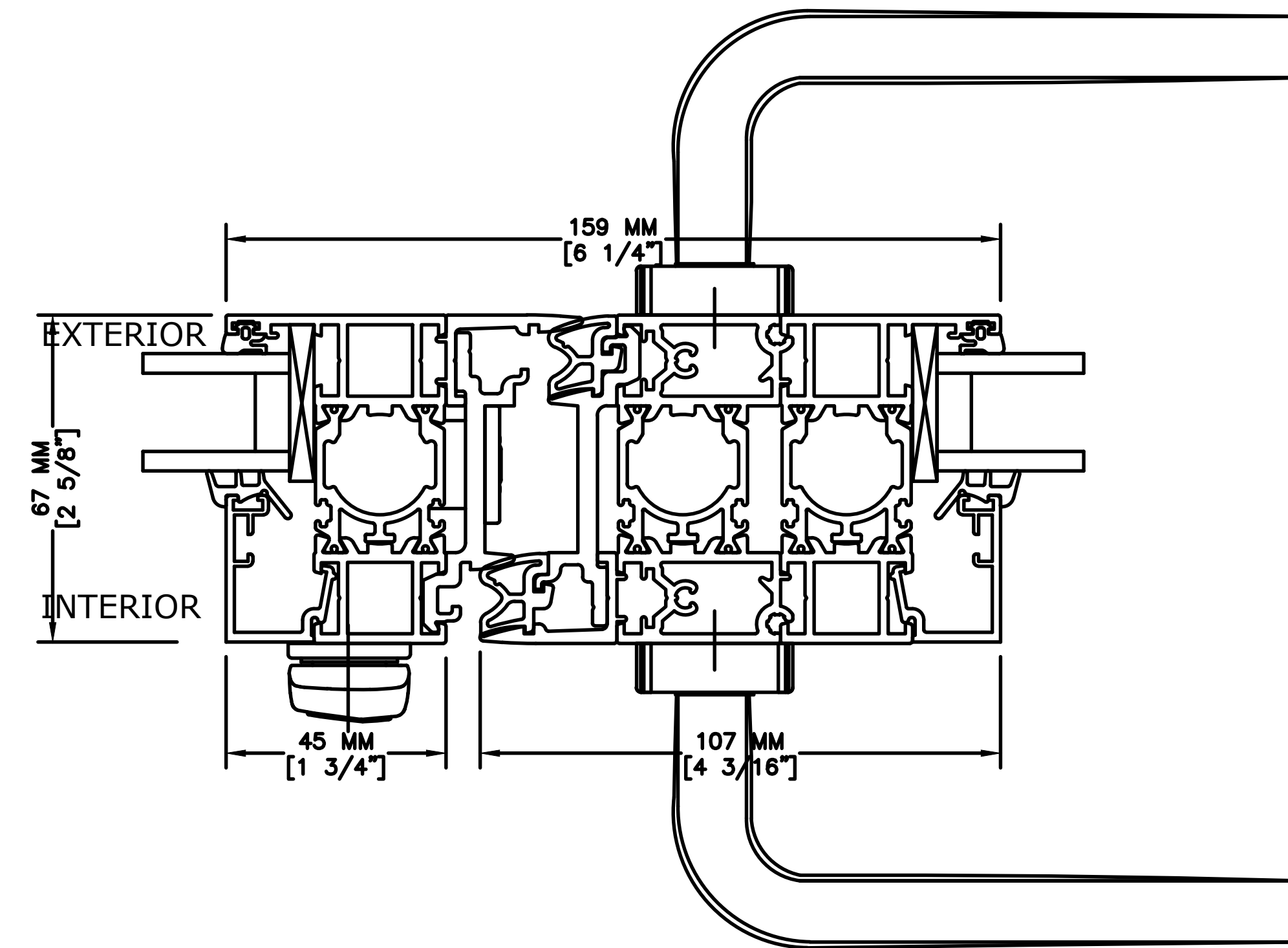
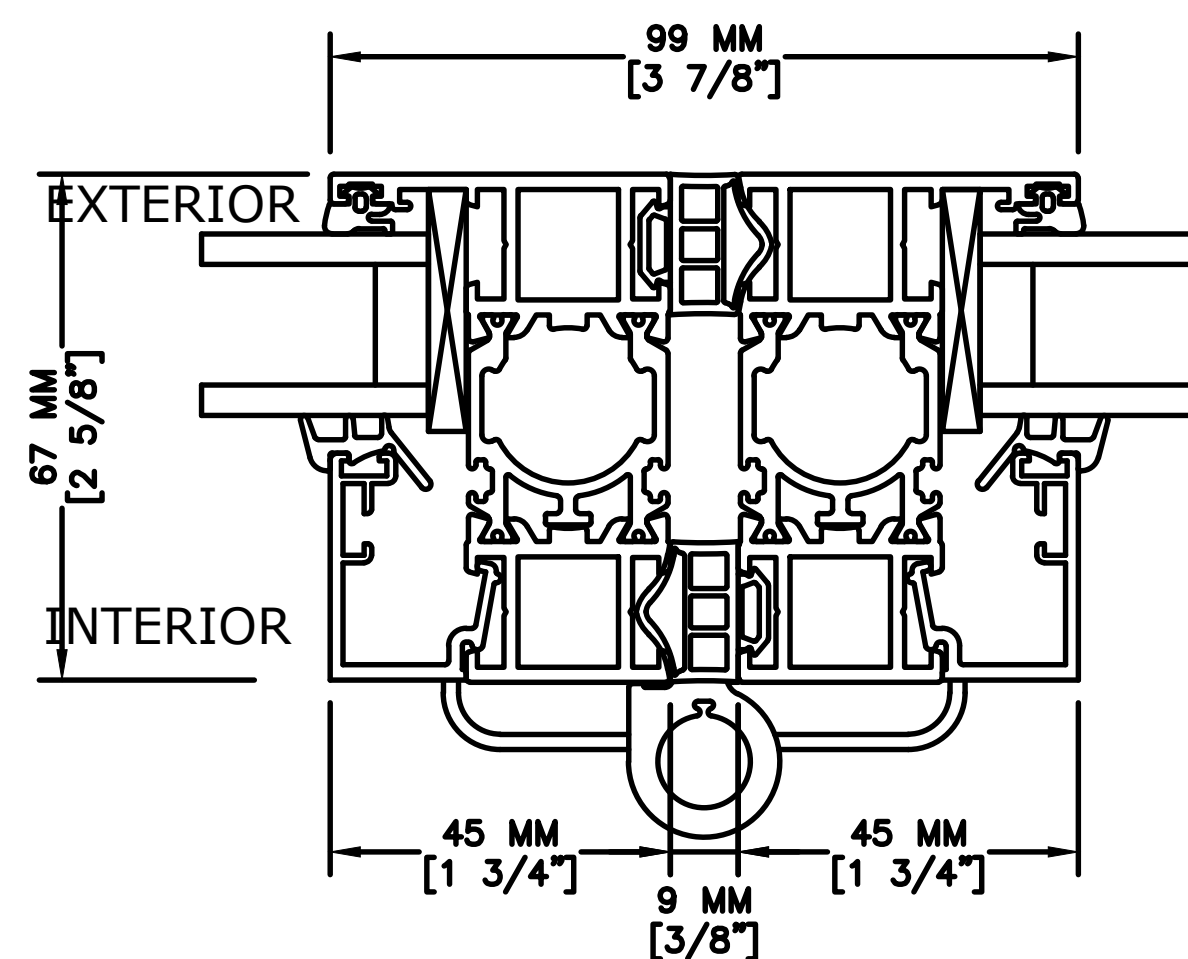
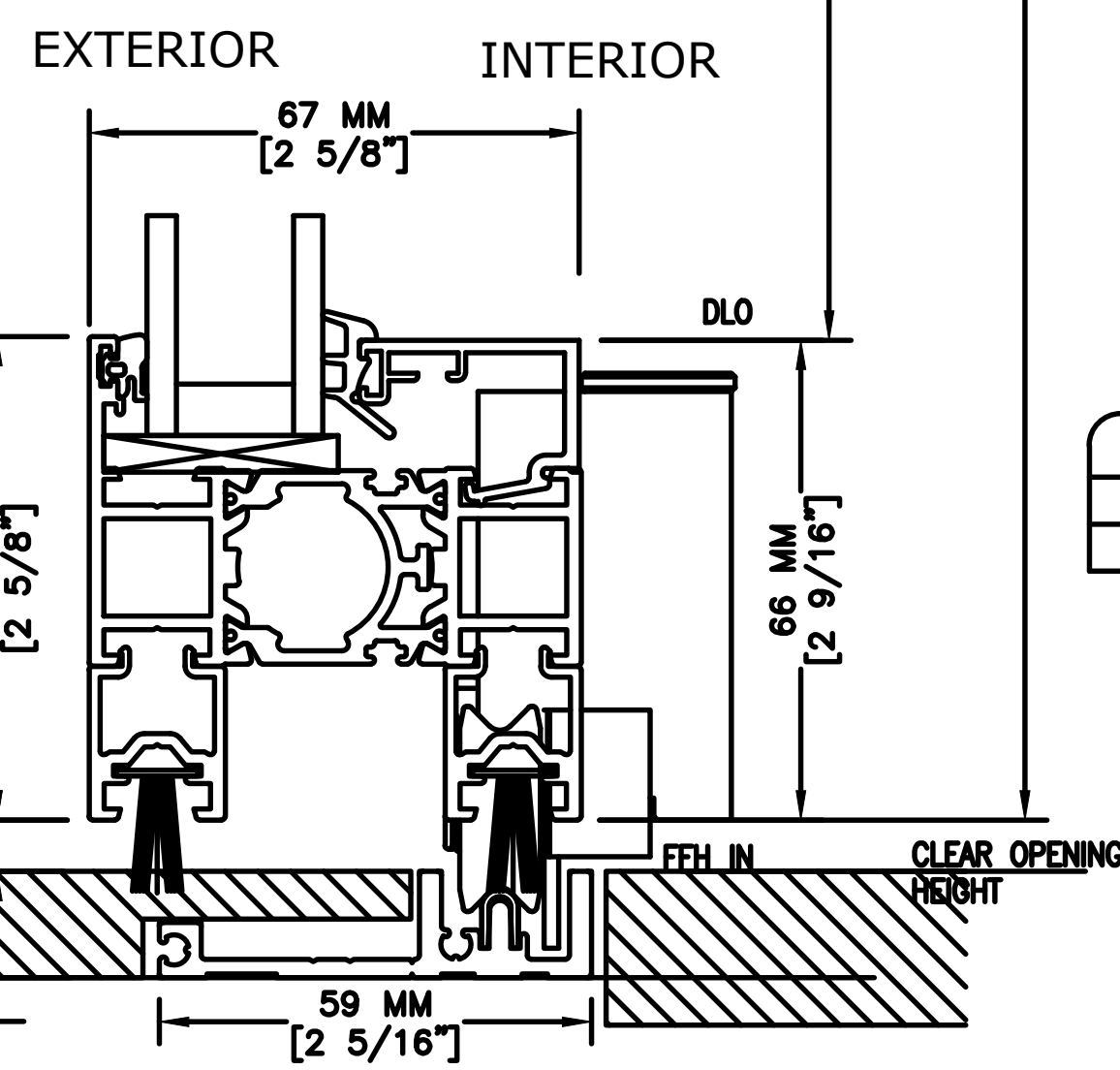
4

1/2"=1'

STRUCTURAL HEADER ABOVE
RO DIMENSIONS SHOWN
ON SUGGESTED SHIM SPACE
19 MM [3/4"]



SUGGESTED RO HEIGHT FROM SUBFLOOR 2463MM [8'-0 15/16"]
SUGGESTED RO HEIGHT FROM FINISH FLOOR 2442MM [8'-0 1/8"]
UNIT HEIGHT 2438MM [8'-0"]
FINISH FLOOR TO TOP OF HEAD TRACK 2423MM [7'-11 3/8"]
2240MM DLO [7'-4 3/16"]
2372MM PANEL HEIGHT [7'-9 3/8"]



(RECOMMENDED 1/4" SHIM SPACE)
SUBFLOOR
RO DIMENSIONS SHOWN
ON SUGGESTED SHIM SPACE
6 MM [1/4"]

