

1 ELEVATION - POSITION

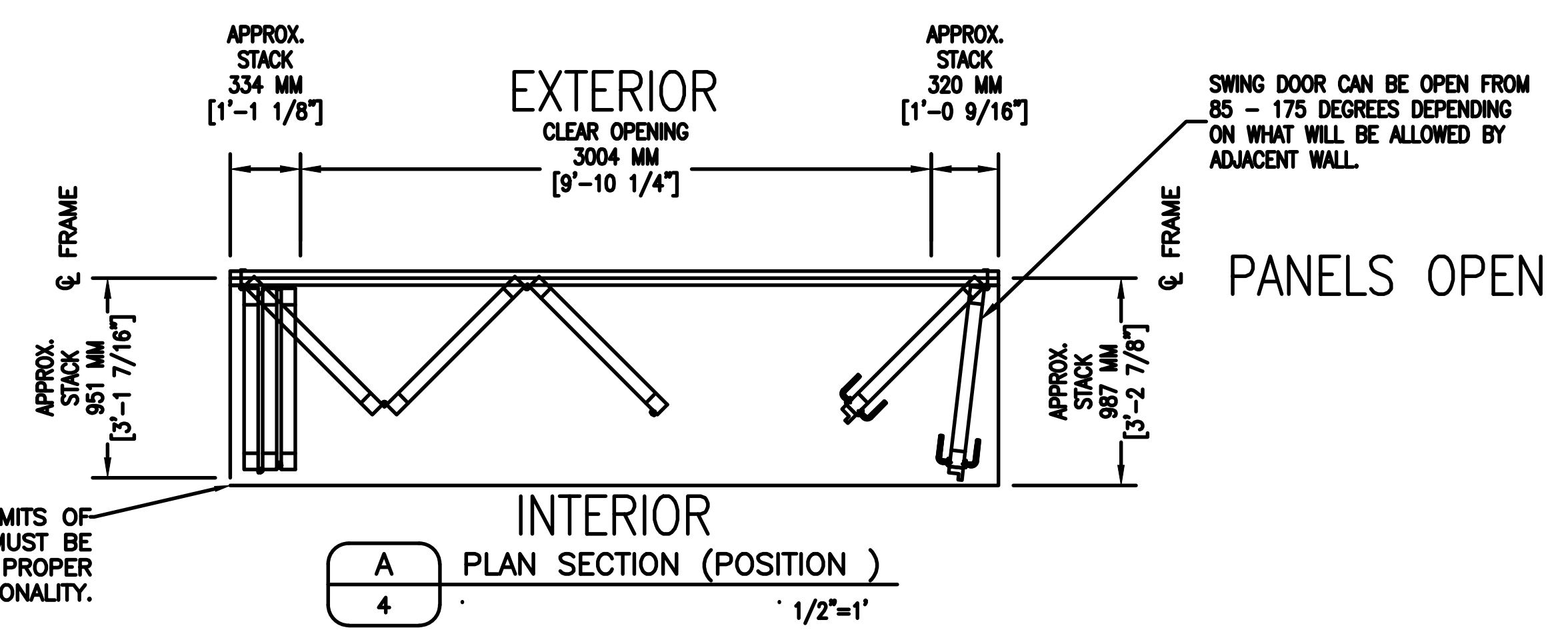
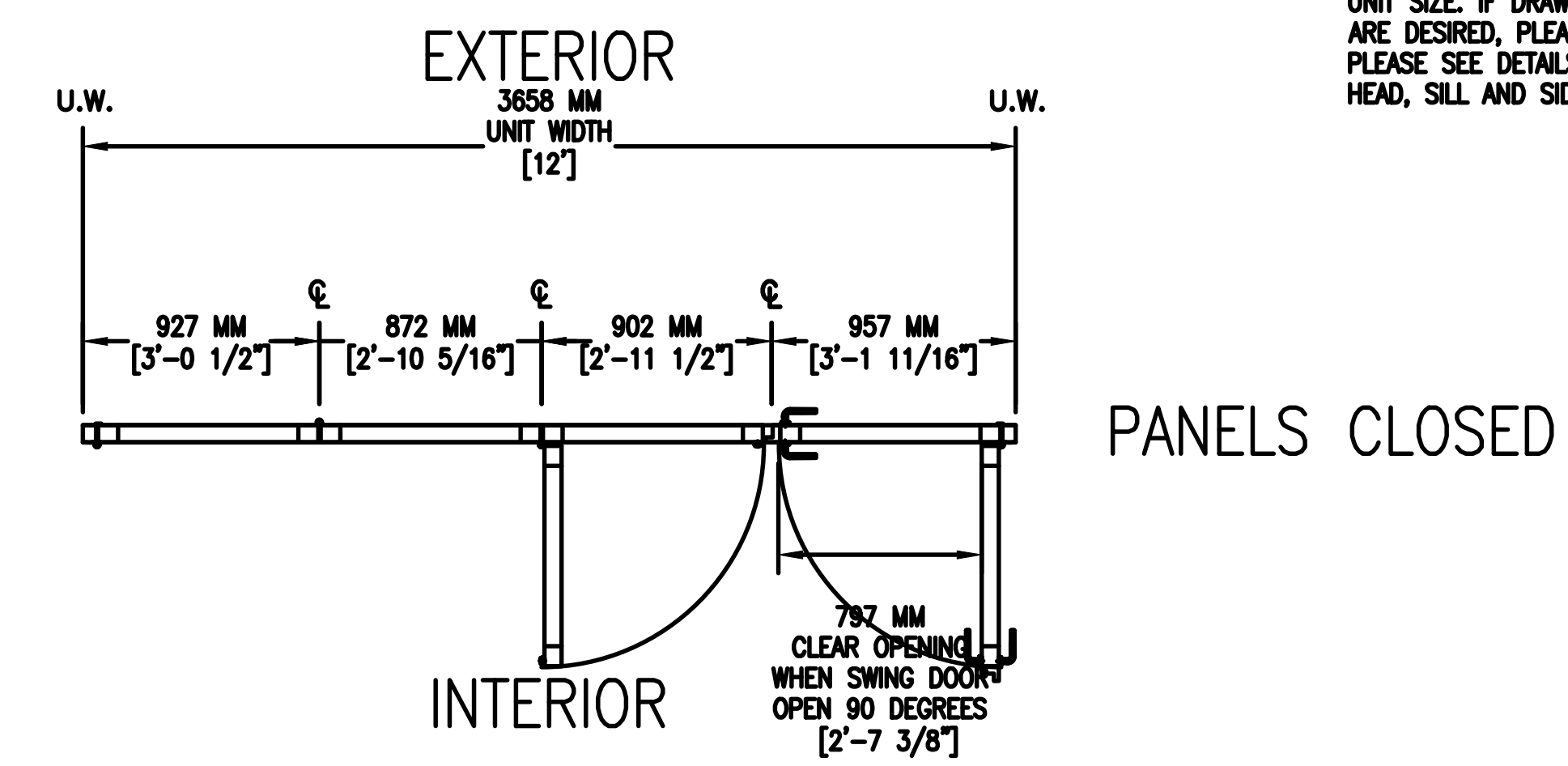
2 QUANTITY [1]

3 (TYPICAL: ELEVATIONS SHOWN FROM INTERIOR)

NANA WALL SL64 ACOUSTICAL  
CONFIGURATION: INWARD 3 LEFT - INWARD 1 RIGHT  
SILL TYPE: MINIMAL  
MOUNT OPTION: FLOOR

\* FIRST PANEL OPEN

NOTE:  
FOR SUGGESTED ROUGH OPENING DIMENSION PLEASE SEE FRAME SECTION DETAILS ON FOLLOWING DETAIL SHEET  
THESE DRAWINGS ARE BASED ON A UNIT HEIGHT OF 8' AND UNIT WIDTH IN INCREMENTS OF 3' FOR EACH PANEL. THE PURPOSE IS ONLY TO SHOW RELEVANT CROSS SECTION DETAILS AND VARIOUS DIMENSIONS APPLICABLE ONLY FOR THIS SPECIFIC UNIT SIZE. IF DRAWINGS FOR OTHER UNIT SIZES ARE DESIRED, PLEASE CONTACT NANAWALL. PLEASE SEE DETAILS TAB FOR CROSS SECTIONS OF HEAD, SILL AND SIDE JAMB



DASHED LINE INDICATES LIMITS OF FINISH FLOORING THAT MUST BE CLEAR AND LEVEL FOR PROPER OPERABLE FUNCTIONALITY.

A PLAN SECTION (POSITION)

4

1/2"=1'

