

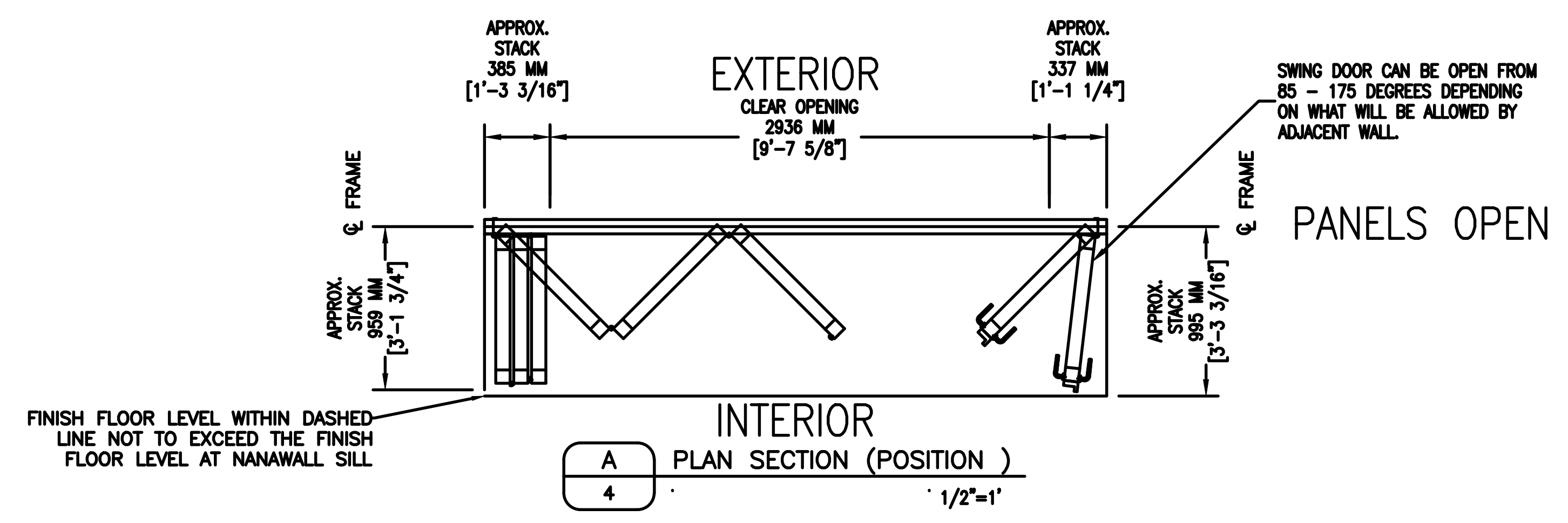
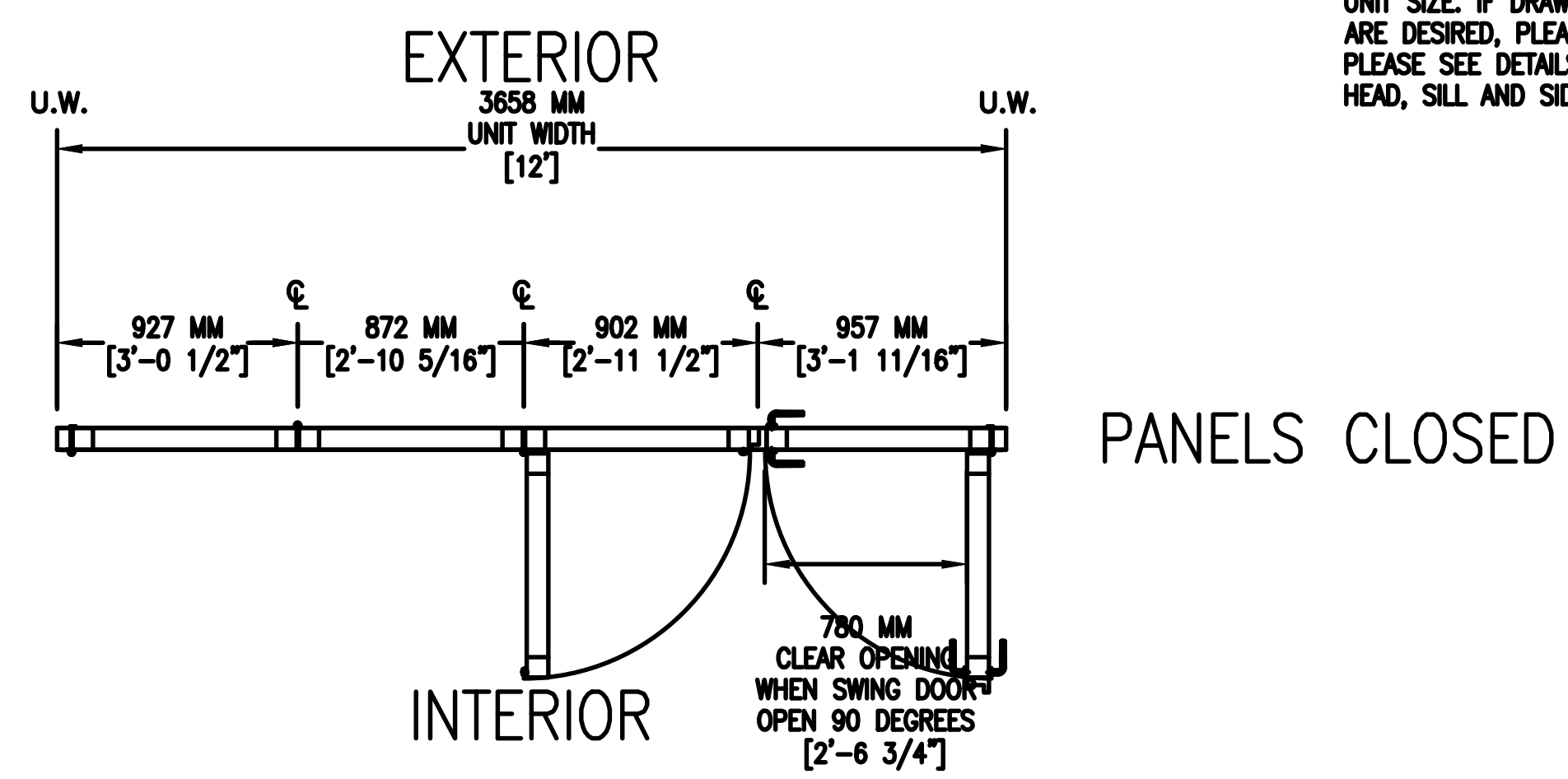
1 ELEVATION - POSITION

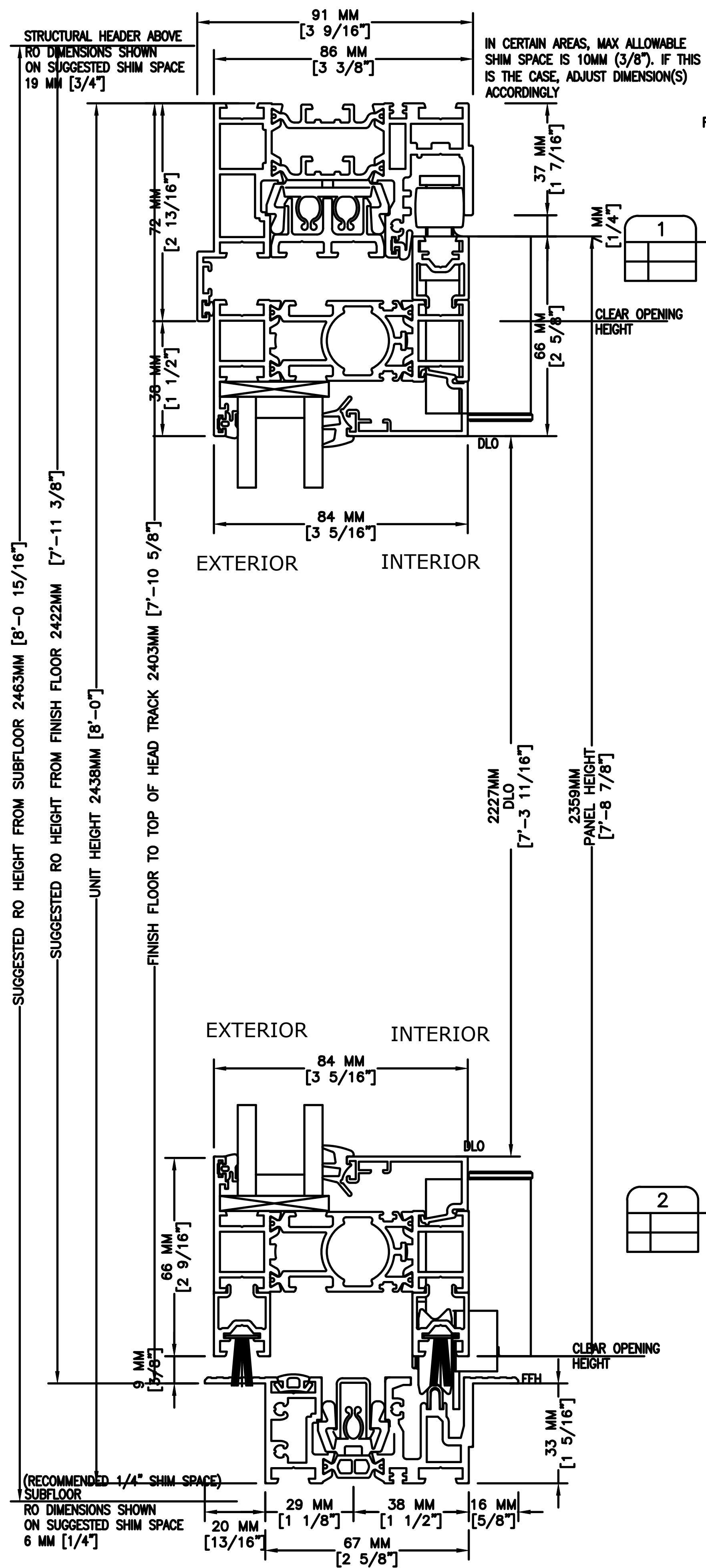
3 QUANTITY [1] (TYPICAL: ELEVATIONS SHOWN FROM INTERIOR)

NANA WALL SL84 FOLDING SYSTEM (ALU)
 CONFIGURATION: INWARD 3 LEFT - INWARD 1 RIGHT
 SILL TYPE: FLUSH SILL THERMALLY BROKEN
 MOUNT OPTION: FLOOR

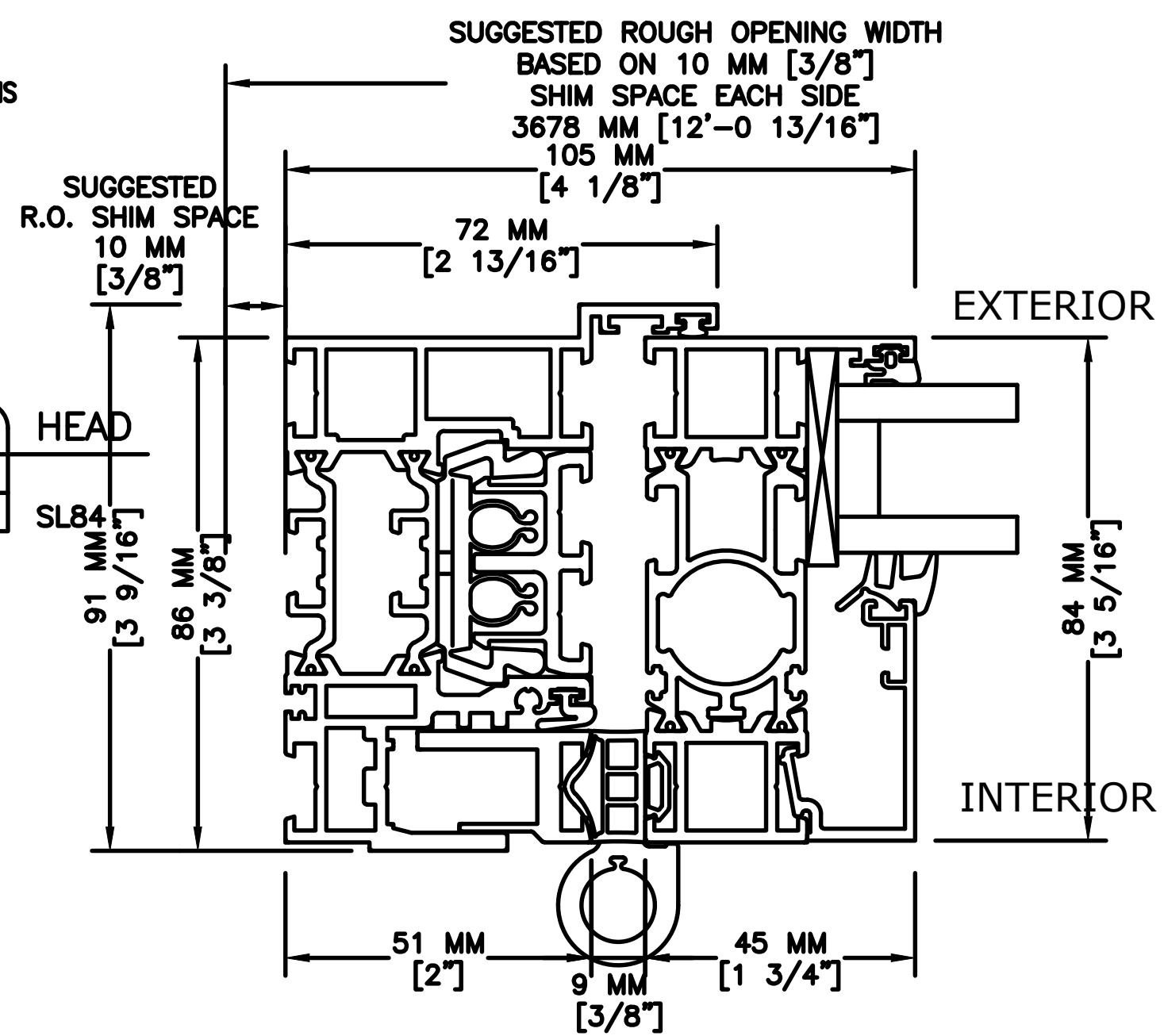
* FIRST PANEL OPEN

NOTE:
 FOR SUGGESTED ROUGH OPENING DIMENSION PLEASE SEE FRAME SECTION DETAILS ON FOLLOWING DETAIL SHEET
 THESE DRAWINGS ARE BASED ON A UNIT HEIGHT OF 8' AND UNIT WIDTH IN INCREMENTS OF 3' FOR EACH PANEL. THE PURPOSE IS ONLY TO SHOW RELEVANT CROSS SECTION DETAILS AND VARIOUS DIMENSIONS APPLICABLE ONLY FOR THIS SPECIFIC UNIT SIZE. IF DRAWINGS FOR OTHER UNIT SIZES ARE DESIRED, PLEASE CONTACT NANAWALL. PLEASE SEE DETAILS TAB FOR CROSS SECTIONS OF HEAD, SILL AND SIDE JAMB

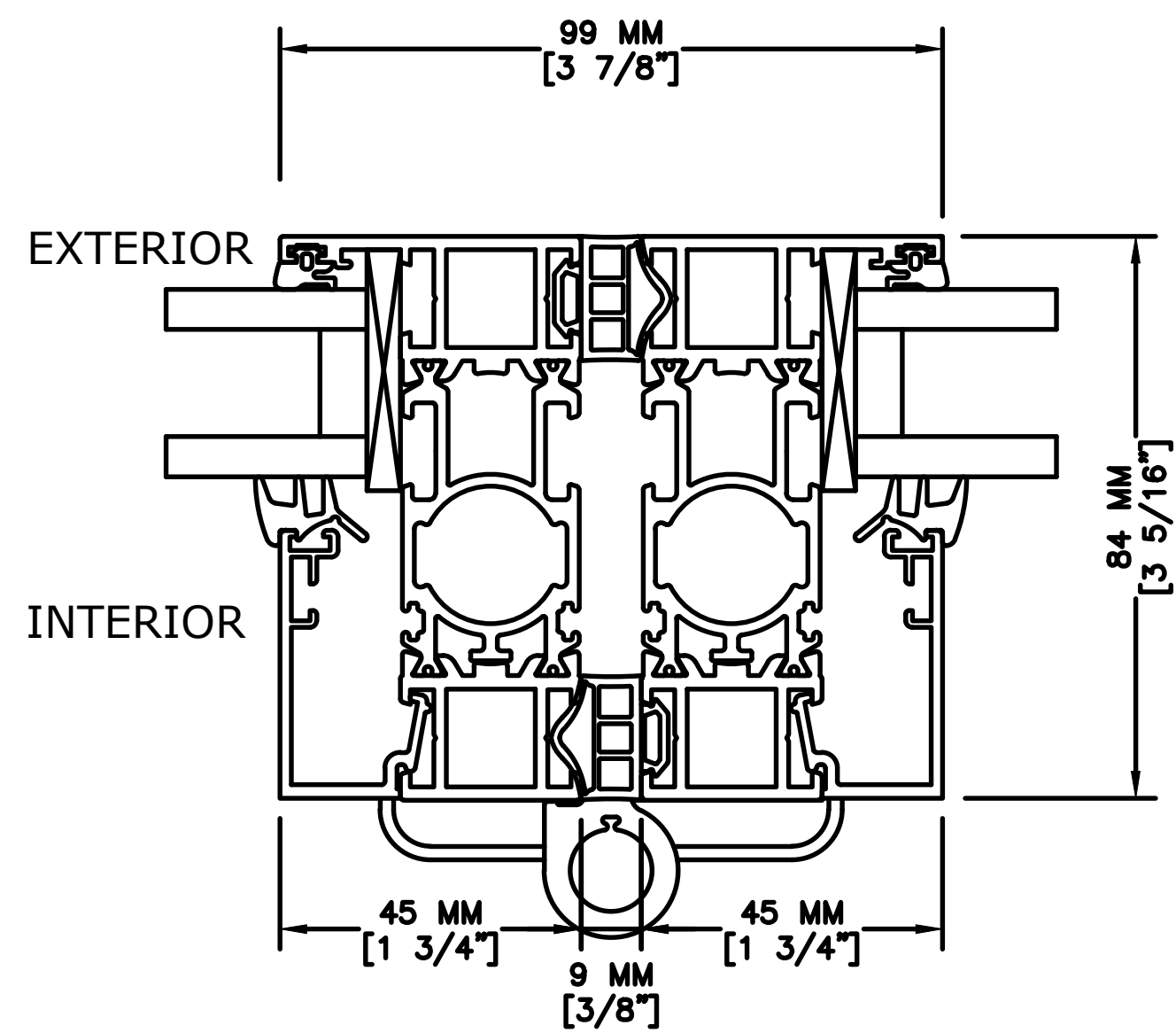




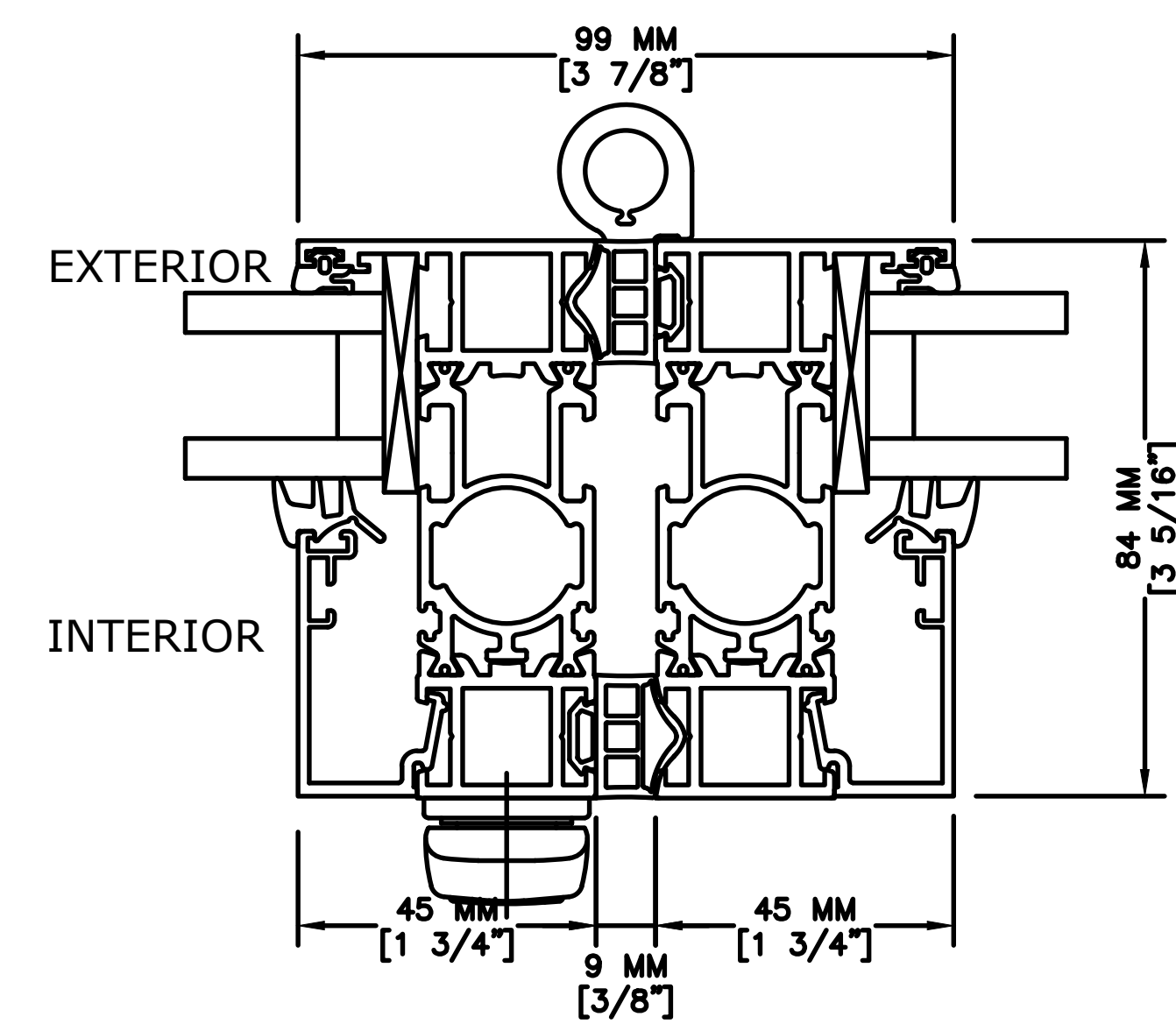
A VERTICAL SECTION
SL84



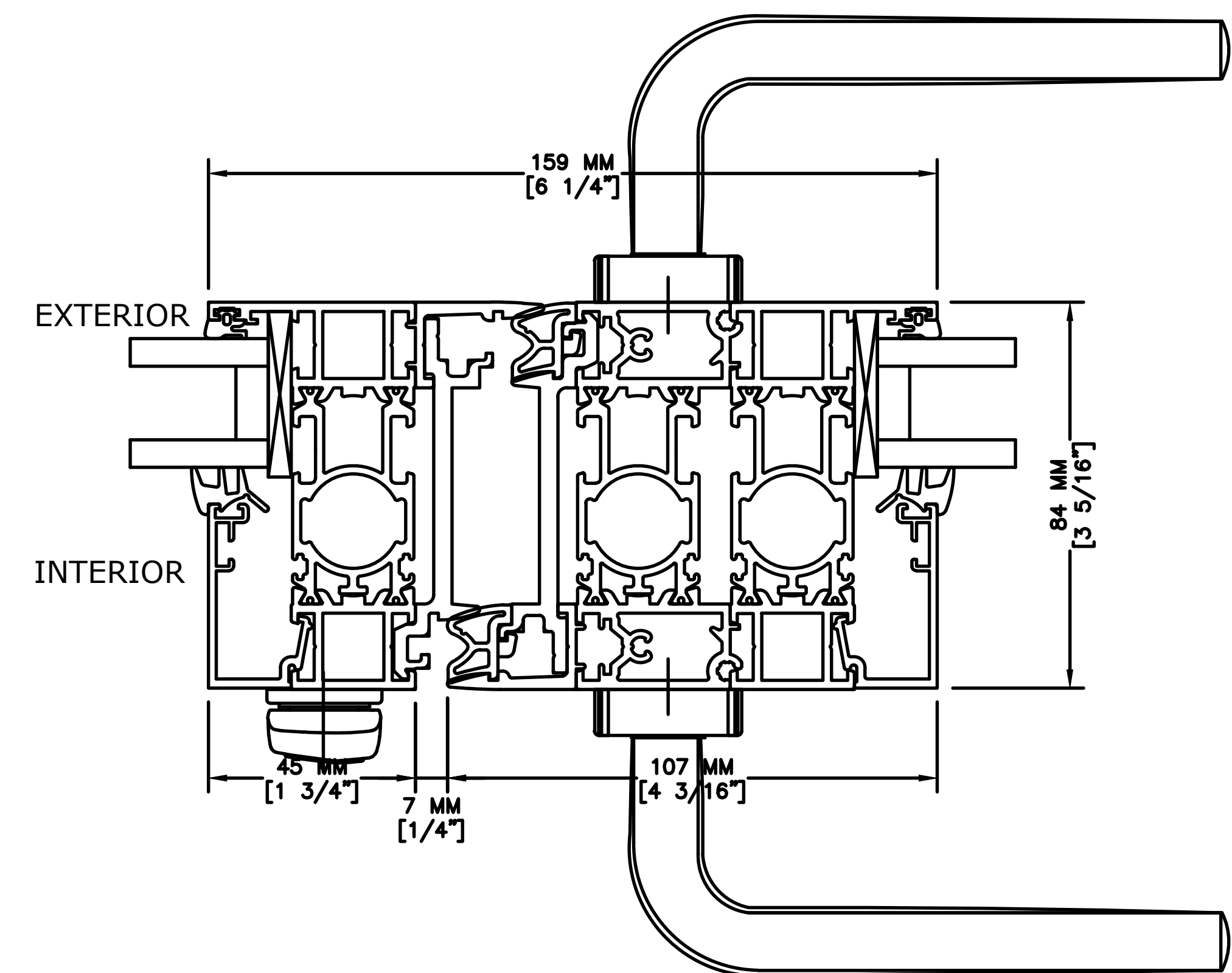
3 JAMB
SL84



2 SILL
SL84



4 FOLDING WITH HANDLE
SL84



6 SWING PANEL (RIGHT FIRST OPENING) MEET SWING PANEL
SL84

5 FOLDING WITHOUT HANDLE
SL84