

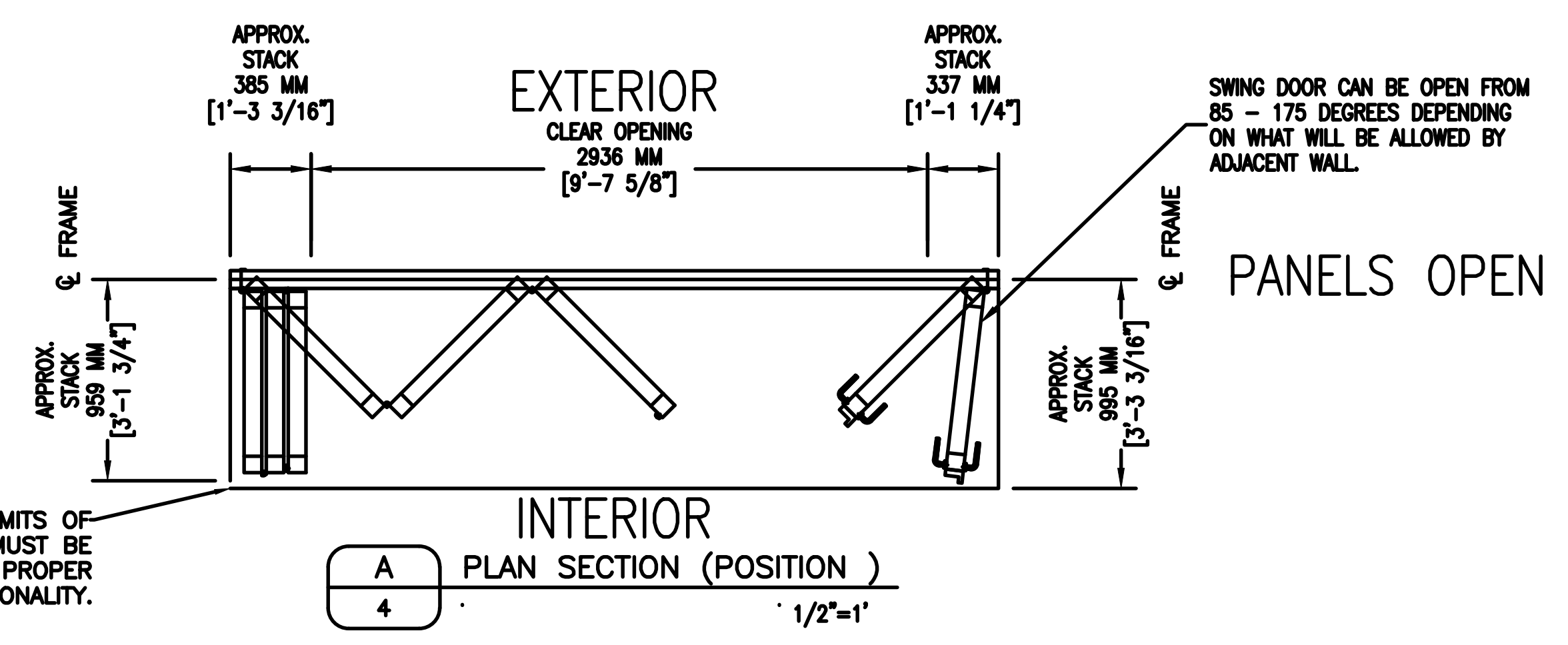
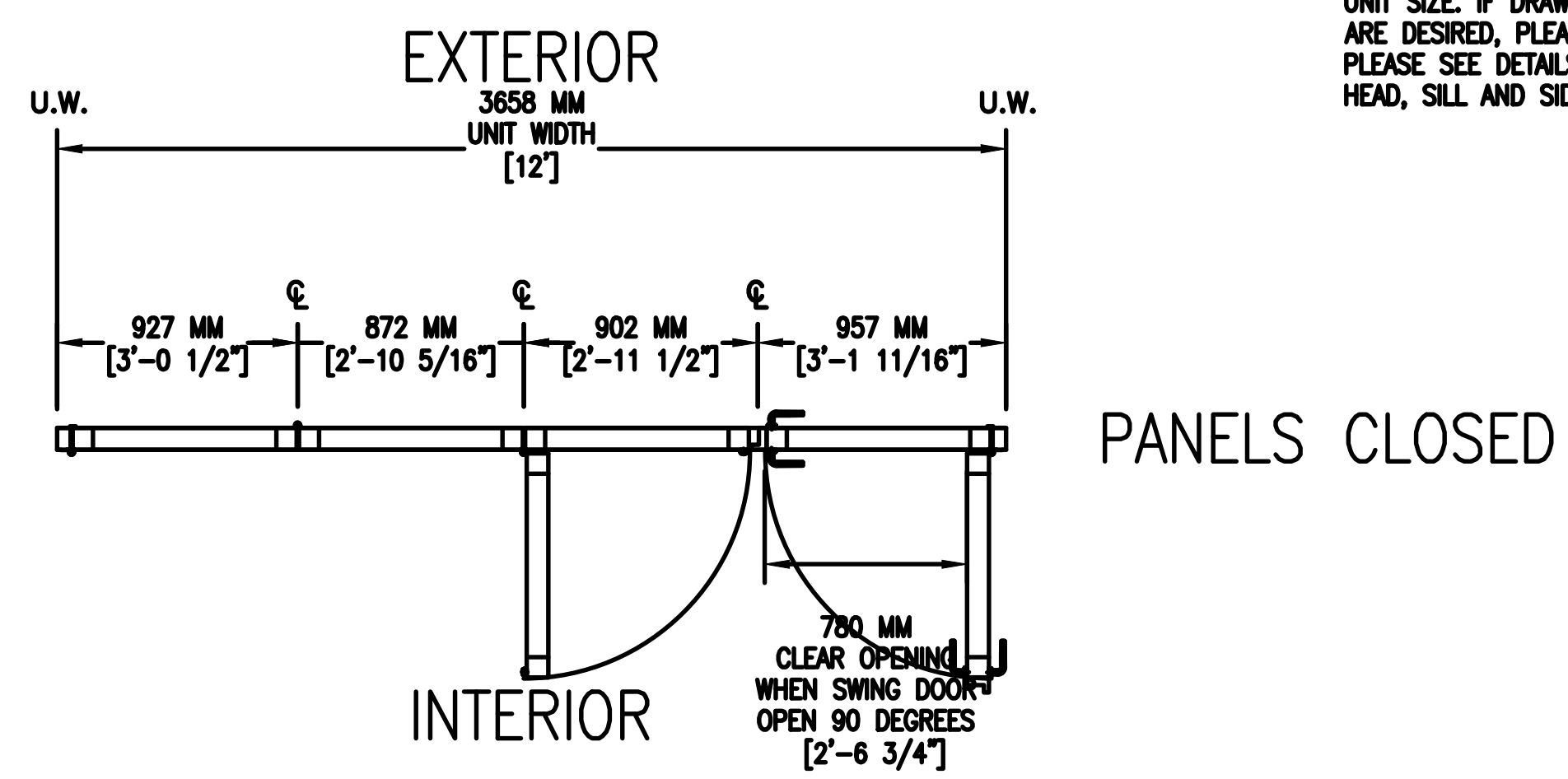
1 ELEVATION - POSITION

3 QUANTITY [1]
(TYPICAL: ELEVATIONS SHOWN FROM INTERIOR)

NANA WALL SL84 FOLDING SYSTEM (ALU)
CONFIGURATION: INWARD 3 LEFT - INWARD 1 RIGHT
SILL TYPE: HYBRID SILL
MOUNT OPTION: FLOOR

* FIRST PANEL OPEN

NOTE:
FOR SUGGESTED ROUGH OPENING DIMENSION PLEASE SEE FRAME SECTION DETAILS ON FOLLOWING DETAIL SHEET
THESE DRAWINGS ARE BASED ON A UNIT HEIGHT OF 8' AND UNIT WIDTH IN INCREMENTS OF 3' FOR EACH PANEL. THE PURPOSE IS ONLY TO SHOW RELEVANT CROSS SECTION DETAILS AND VARIOUS DIMENSIONS APPLICABLE ONLY FOR THIS SPECIFIC UNIT SIZE. IF DRAWINGS FOR OTHER UNIT SIZES ARE DESIRED, PLEASE CONTACT NANAWALL. PLEASE SEE DETAILS TAB FOR CROSS SECTIONS OF HEAD, SILL AND SIDE JAMB

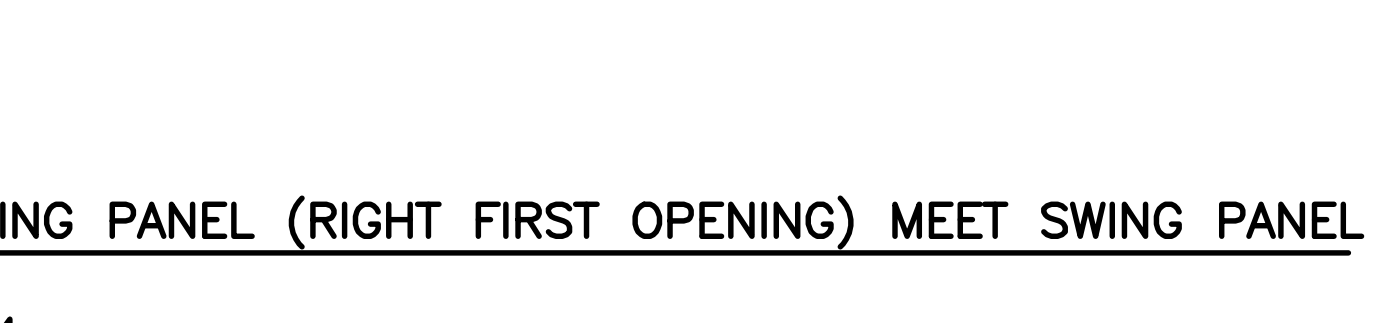
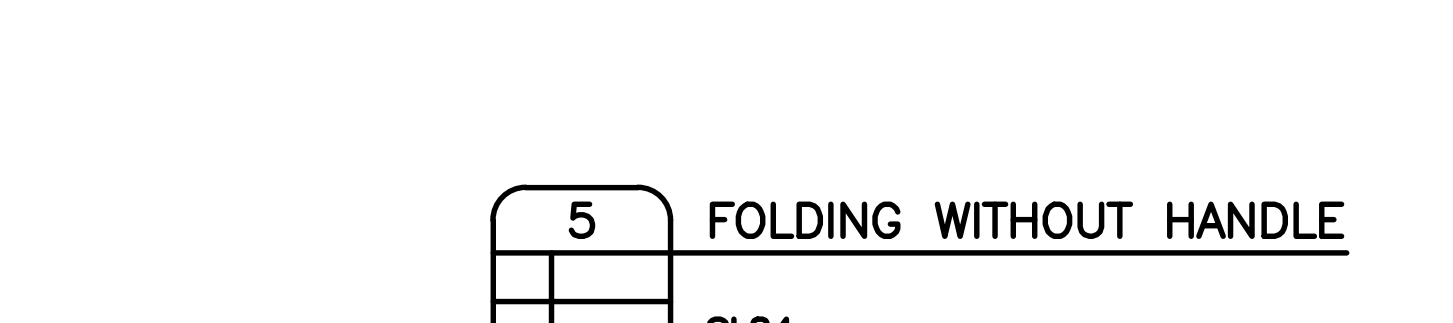
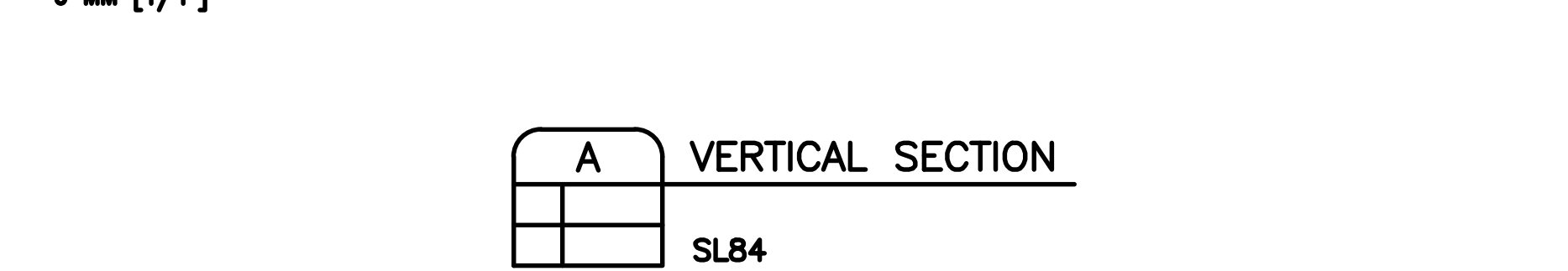
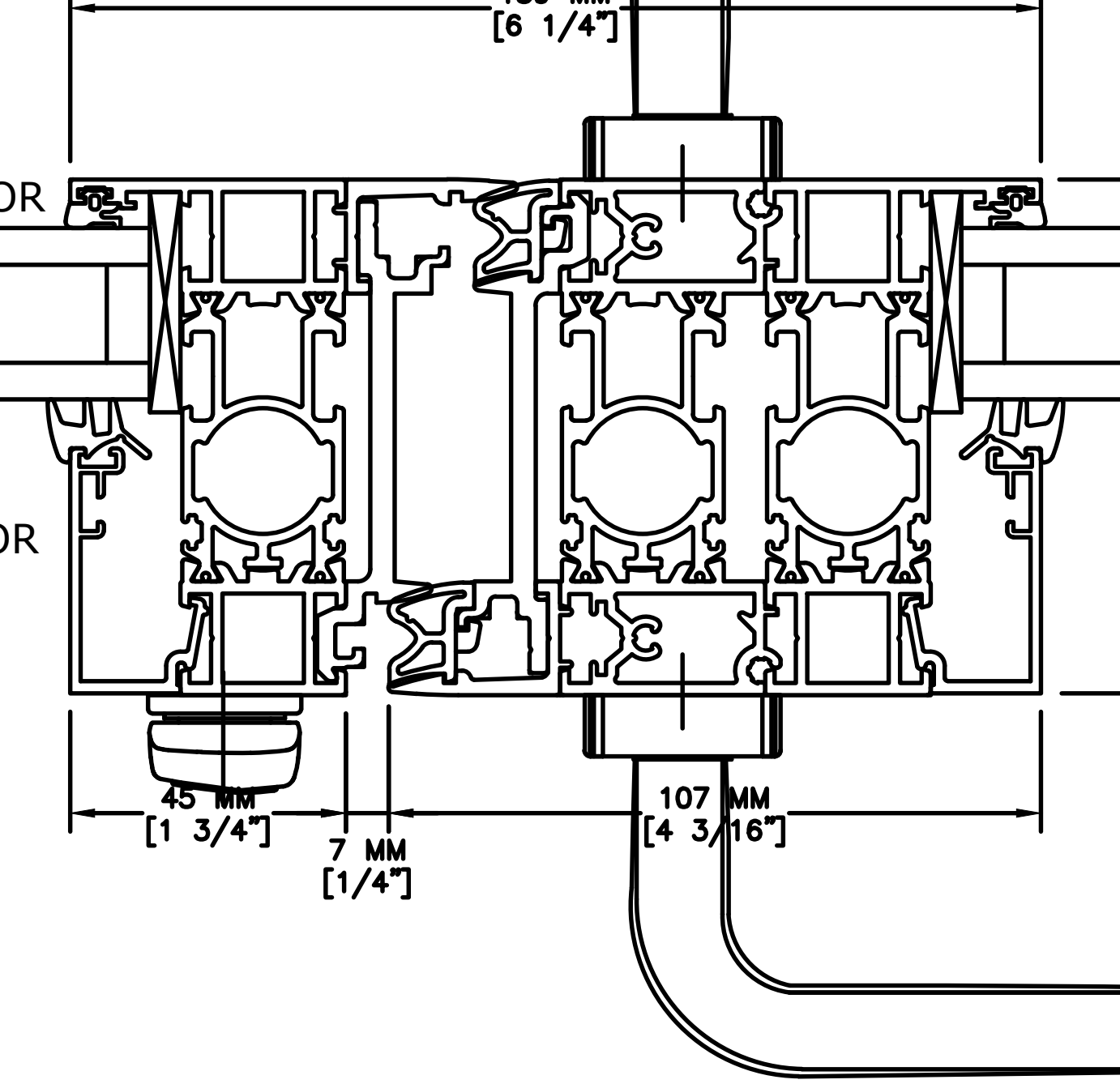
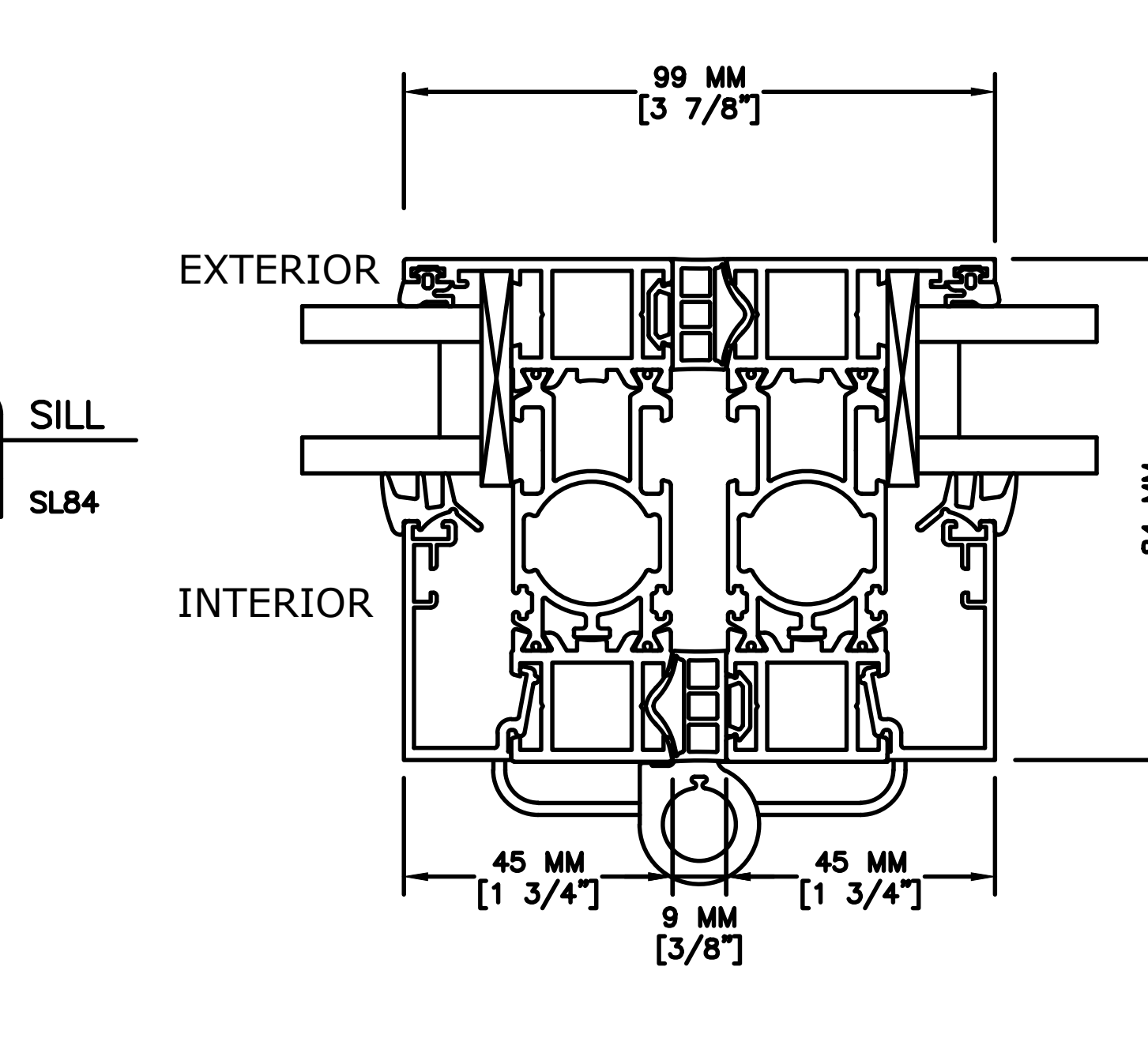
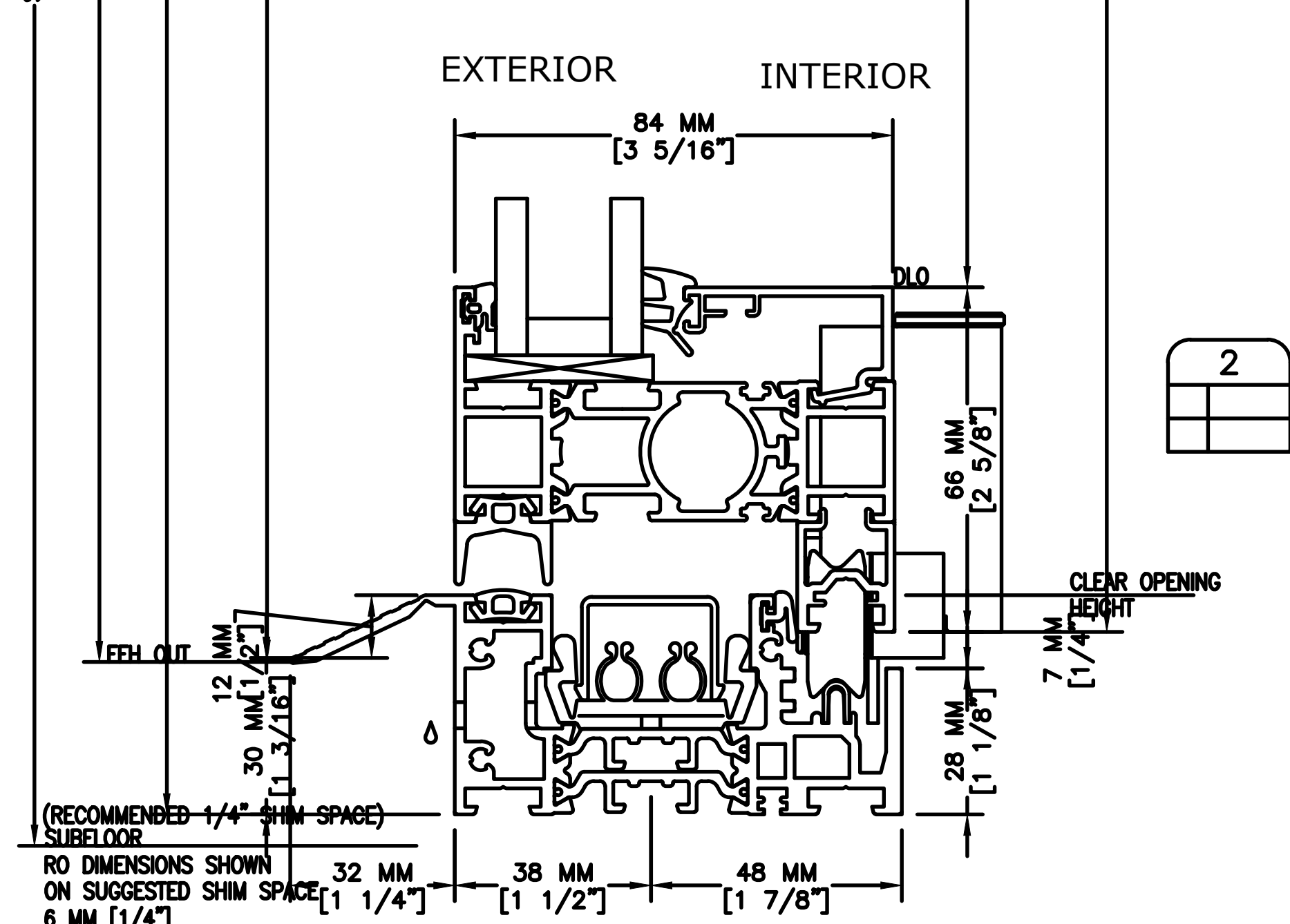
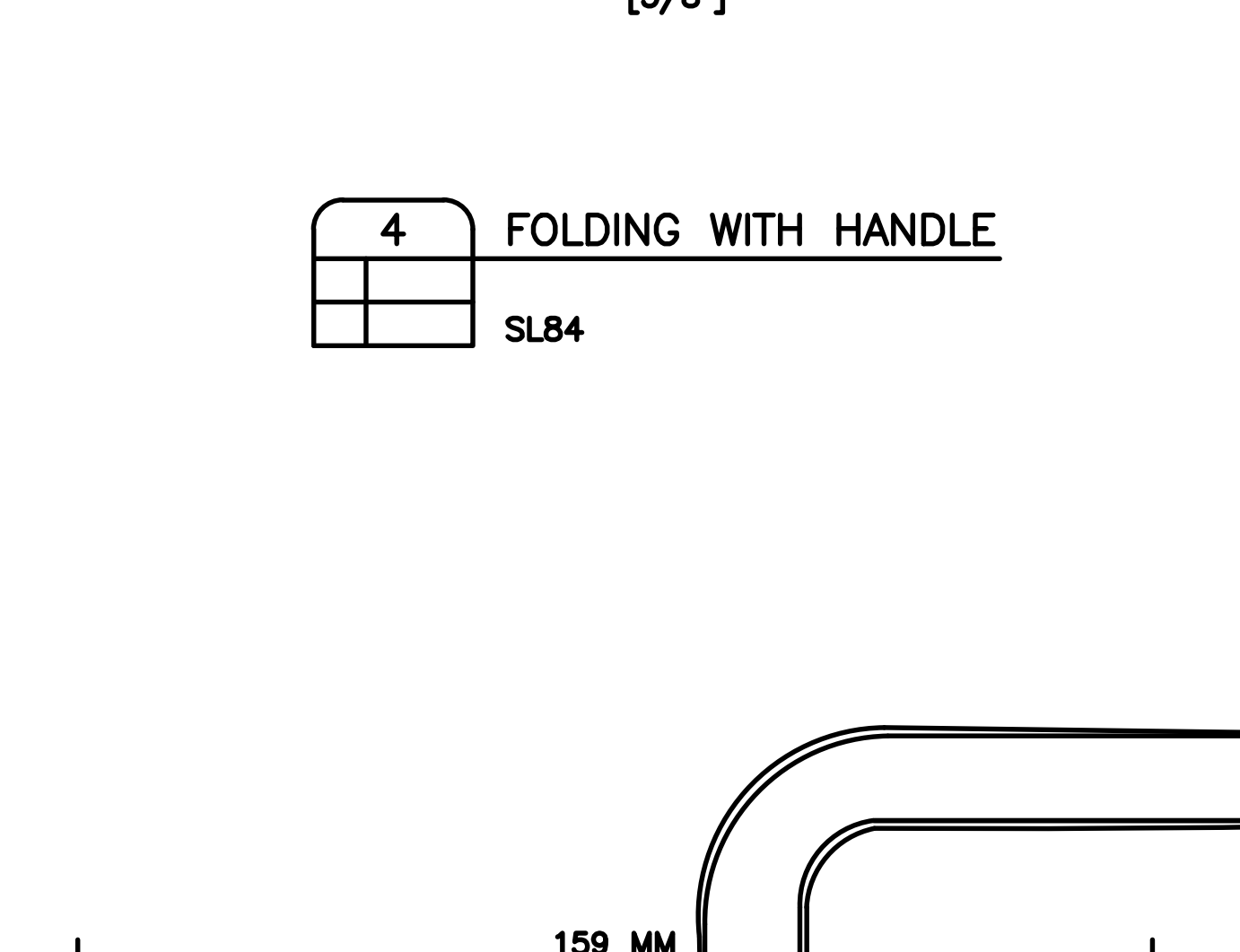
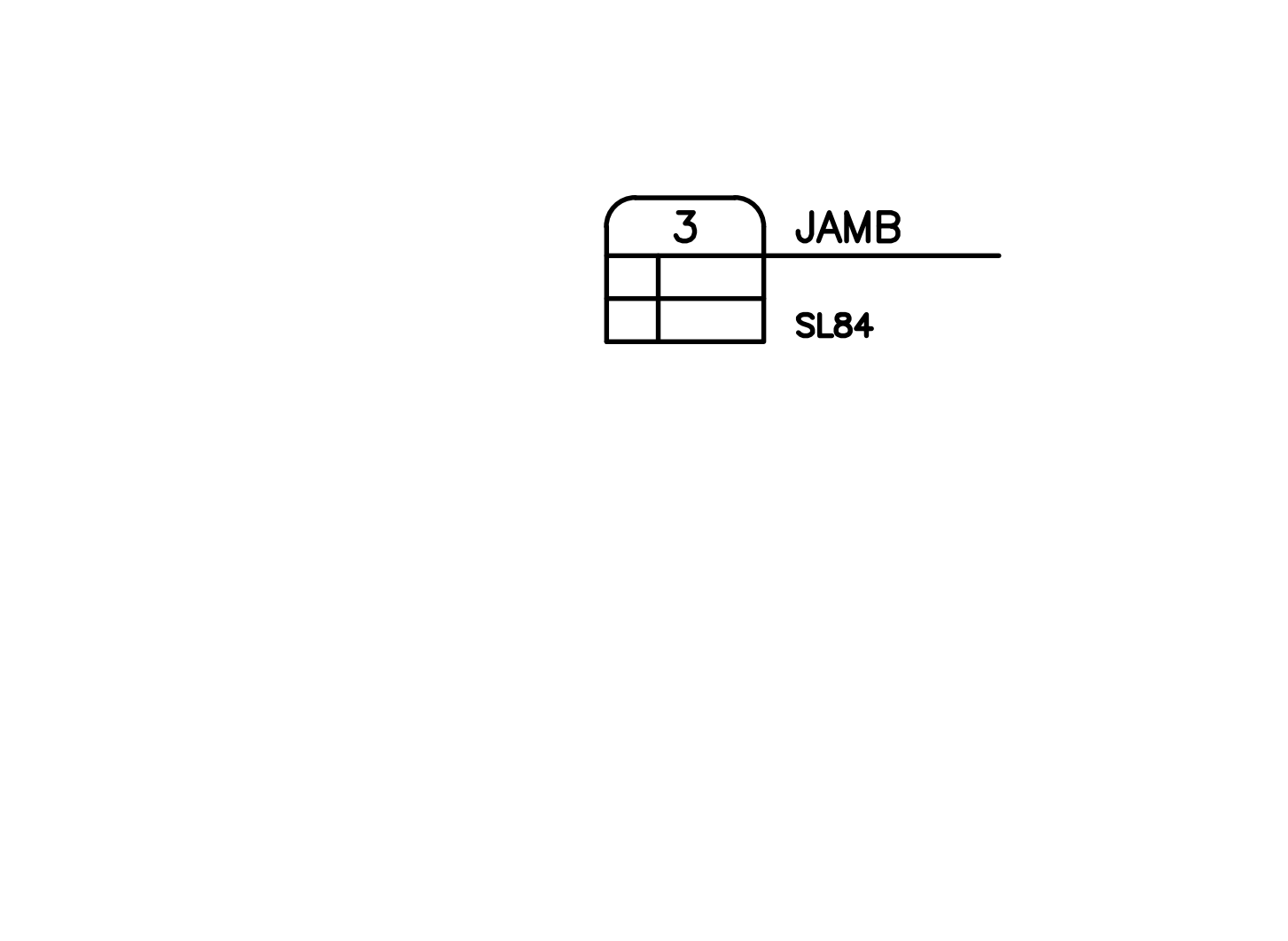
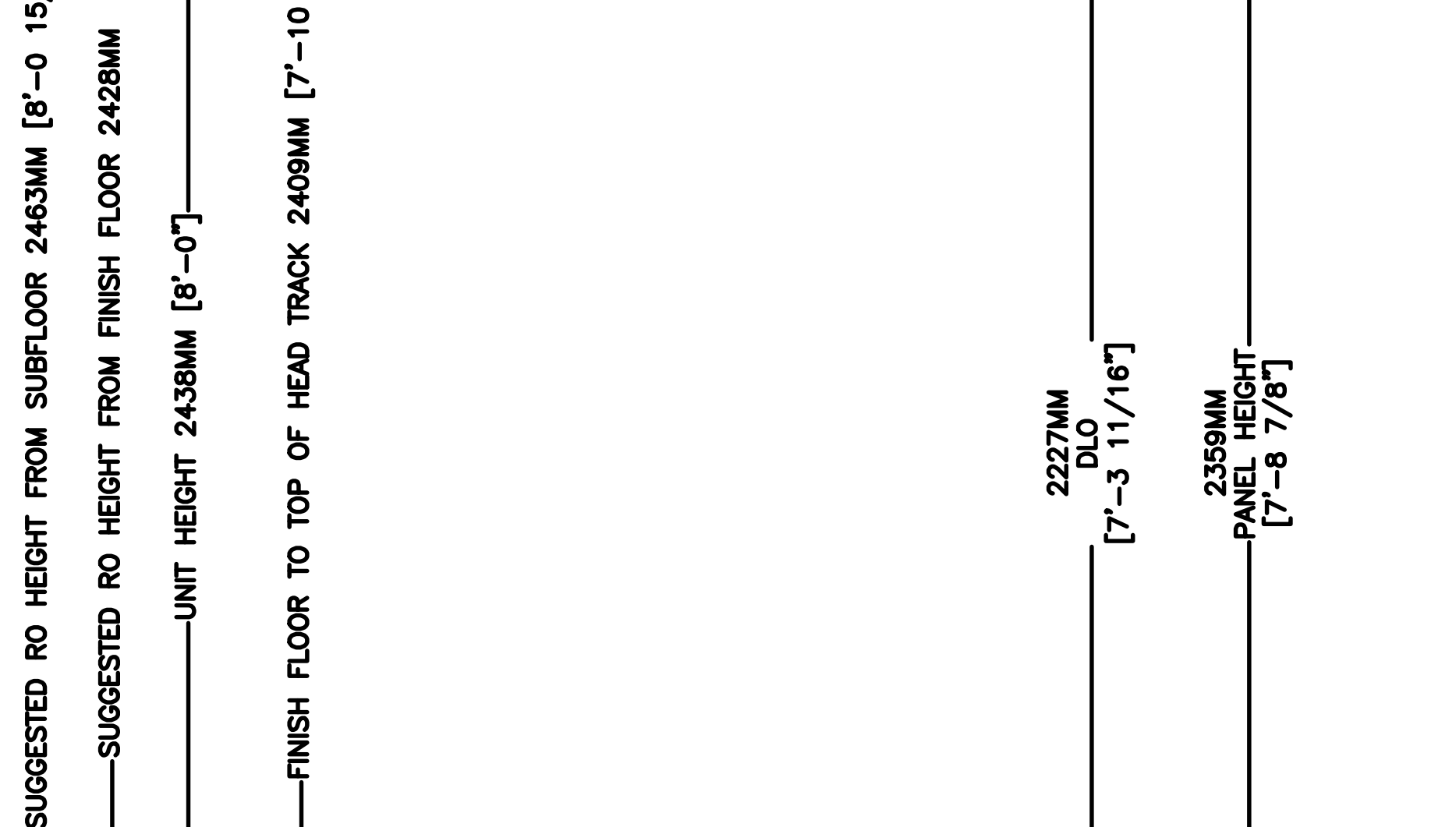
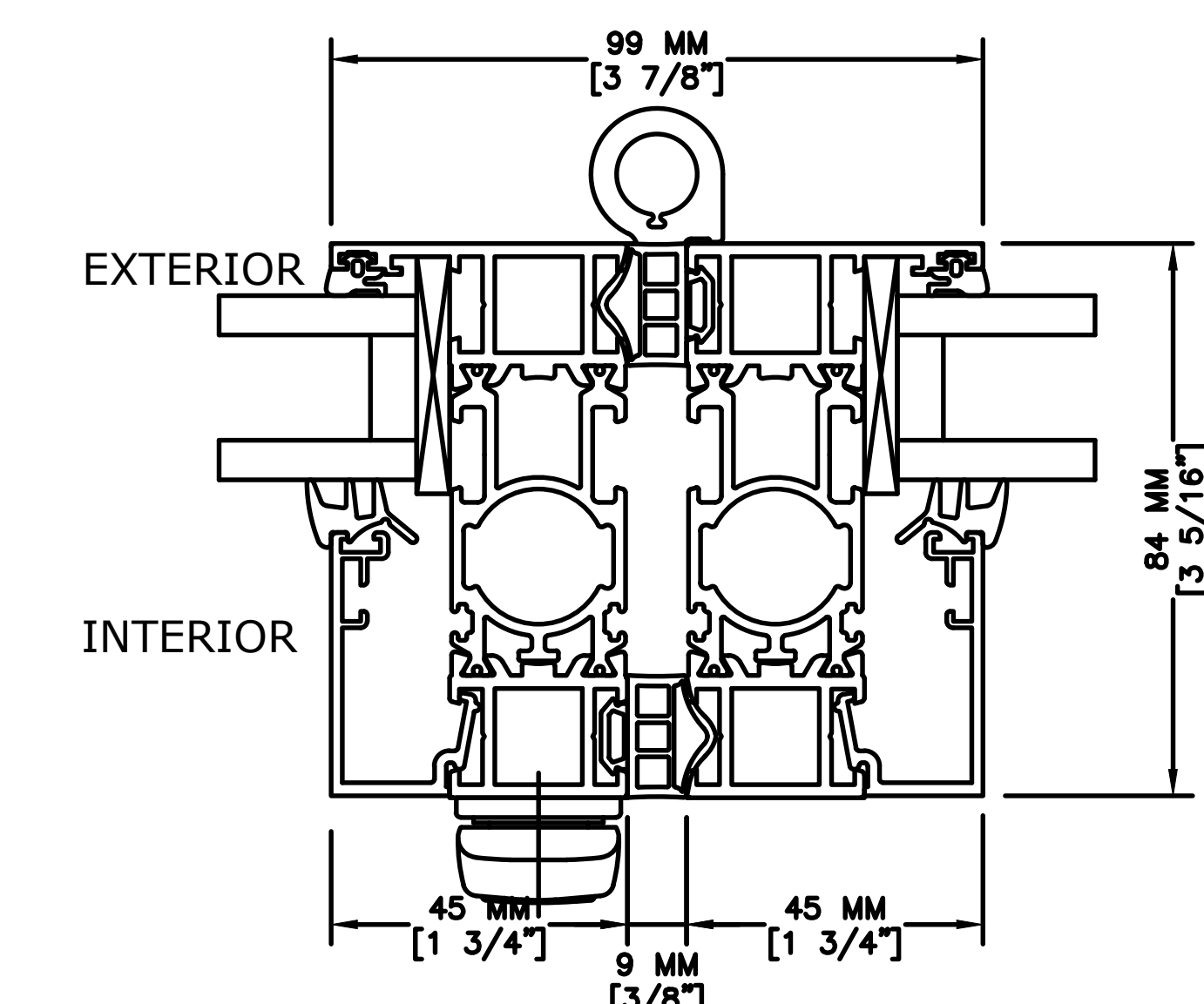
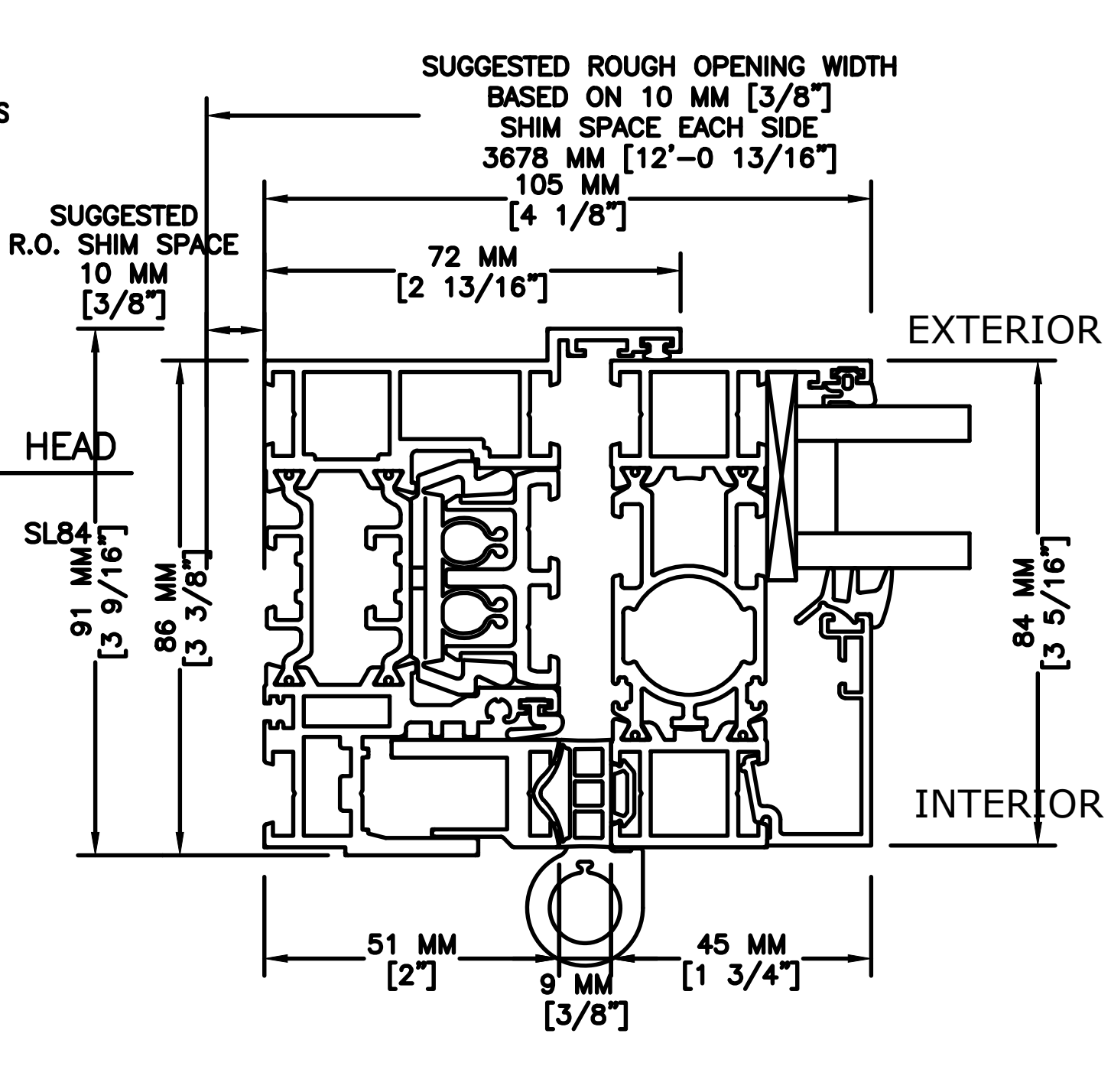
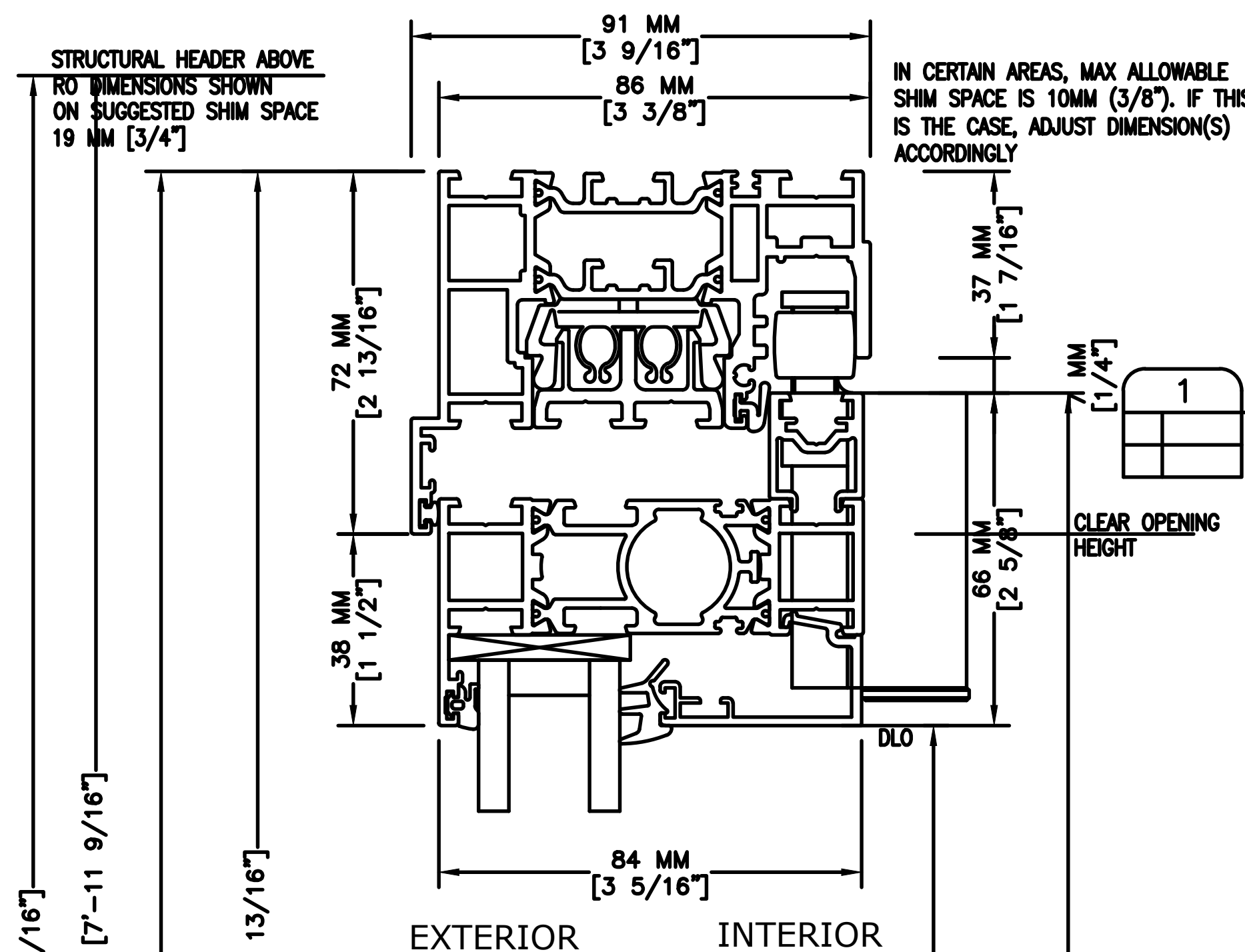


DASHED LINE INDICATES LIMITS OF FINISH FLOORING THAT MUST BE CLEAR AND LEVEL FOR PROPER OPERABLE FUNCTIONALITY.

A PLAN SECTION (POSITION)

4

1/2"=1'



A VERTICAL SECTION
SL84

5 FOLDING WITHOUT HANDLE
SL84

6 SWING PANEL (RIGHT FIRST OPENING) MEET SWING PANEL
SL84

STRUCTURAL HEADER ABOVE
RO DIMENSIONS SHOWN
ON SUGGESTED SHIM SPACE
19 MM [3/4"]

SUGGESTED RO HEIGHT FROM SUBFLOOR 2463MM [8'-0 15/16"]

SUGGESTED RO HEIGHT FROM FINISH FLOOR 2428MM [7'-11 9/16"]

UNIT HEIGHT 2438MM [8'-0"]

FINISH FLOOR TO TOP OF HEAD TRACK 2409MM [7'-10 13/16"]

2227MM D.I.O. [7'-3 11/16"]

2359MM PANEL HEIGHT [7'-8 7/8"]

RO DIMENSIONS SHOWN
ON SUGGESTED SHIM SPACE
6 MM [1/4"]

32 MM [1 1/4"]

38 MM [1 1/2"]

48 MM [1 7/8"]

12 MM [1/2"]

30 MM [1 1/4"]

(RECOMMENDED 1/4" SHIM SPACE)

28 MM [1 1/8"]

7 MM [1/4"]

CLEAR OPENING HEIGHT

IN CERTAIN AREAS, MAX ALLOWABLE
SHIM SPACE IS 10MM (3/8"). IF THIS
IS THE CASE, ADJUST DIMENSION(S)
ACCORDINGLY

SUGGESTED ROUGH OPENING WIDTH
BASED ON 10 MM [3/8"]
SHIM SPACE EACH SIDE
3678 MM [12'-0 13/16"]

SUGGESTED
R.O. SHIM SPACE
10 MM [3/8"]

72 MM [2 13/16"]

105 MM [4 1/8"]

37 MM [1 7/16"]

7 MM [1/4"]

91 MM [3 9/16"]

86 MM [3 3/8"]

66 MM [2 5/8"]

7 MM [1/4"]

91 MM [3 9/16"]

86 MM [3 3/8"]

66 MM [2 5/8"]

7 MM [1/4"]

91 MM [3 9/16"]

86 MM [3 3/8"]

66 MM [2 5/8"]

7 MM [1/4"]

91 MM [3 9/16"]

86 MM [3 3/8"]

66 MM [2 5/8"]

7 MM [1/4"]

91 MM [3 9/16"]

86 MM [3 3/8"]

66 MM [2 5/8"]

7 MM [1/4"]

91 MM [3 9/16"]

86 MM [3 3/8"]

66 MM [2 5/8"]

7 MM [1/4"]

91 MM [3 9/16"]

86 MM [3 3/8"]

66 MM [2 5/8"]

7 MM [1/4"]

91 MM [3 9/16"]

86 MM [3 3/8"]

66 MM [2 5/8"]

7 MM [1/4"]

91 MM [3 9/16"]

86 MM [3 3/8"]

66 MM [2 5/8"]

7 MM [1/4"]

91 MM [3 9/16"]

86 MM [3 3/8"]

66 MM [2 5/8"]

7 MM [1/4"]

91 MM [3 9/16"]

86 MM [3 3/8"]

66 MM [2 5/8"]

7 MM [1/4"]

91 MM [3 9/16"]

86 MM [3 3/8"]

66 MM [2 5/8"]

7 MM [1/4"]

91 MM [3 9/16"]

86 MM [3 3/8"]

66 MM [2 5/8"]

7 MM [1/4"]

91 MM [3 9/16"]

86 MM [3 3/8"]

66 MM [2 5/8"]

7 MM [1/4"]

91 MM [3 9/16"]

86 MM [3 3/8"]

66 MM [2 5/8"]

7 MM [1/4"]

91 MM [3 9/16"]

86 MM [3 3/8"]

66 MM [2 5/8"]

7 MM [1/4"]

91 MM [3 9/16"]

86 MM [3 3/8"]

66 MM [2 5/8"]

7 MM [1/4"]

91 MM [3 9/16"]

86 MM [3 3/8"]

66 MM [2 5/8"]

7 MM [1/4"]

91 MM [3 9/16"]

86 MM [3 3/8"]

66 MM [2 5/8"]

7 MM [1/4"]

91 MM [3 9/16"]

86 MM [3 3/8"]

66 MM [2 5/8"]

7 MM [1/4"]

91 MM [3 9/16"]

86 MM [3 3/8"]

66 MM [2 5/8"]

7 MM [1/4"]

91 MM [3 9/16"]

86 MM [3 3/8"]

66 MM [2 5/8"]

7 MM [1/4"]

91 MM [3 9/16"]

86 MM [3 3/8"]

66 MM [2 5/8"]

7 MM [1/4"]

91 MM [3 9/16"]

86 MM [3 3/8"]

66 MM [2 5/8"]

7 MM [1/4"]

91 MM [3 9/16"]

86 MM [3 3/8"]

66 MM [2 5/8"]

7 MM [1/4"]

91 MM [3 9/16"]

86 MM [3 3/8"]

66 MM [2 5/8"]

7 MM [1/4"]

91 MM [3 9/16"]

86 MM [3 3/8"]

66 MM [2 5/8"]

7 MM [1/4"]

91 MM [3 9/16"]

86 MM [3 3/8"]

66 MM [2 5/8"]

7 MM [1/4"]

91 MM [3 9/16"]

86 MM [3 3/8"]

66 MM [2 5/8"]

7 MM [1/4"]

91 MM [3 9/16"]

86 MM [3 3/8"]

66 MM [2 5/8"]

7 MM [1/4"]

91 MM [3 9/16"]

86 MM [3 3/8"]

66 MM [2 5/8"]

7 MM [1/4"]

91 MM [3 9/16"]

86 MM [3 3/8"]

66 MM [2 5/8"]

7 MM [1/4"]

91 MM [3 9/16"]

86 MM [3 3/8"]

66 MM [2 5/8"]

7 MM [1/4"]

91 MM [3 9/16"]

86 MM [3 3/8"]

66 MM [2 5/8"]

7 MM [1/4"]

91 MM [3 9/16"]

86 MM [3 3/8"]

66 MM [2 5/8"]

7 MM [1/4"]

91 MM [3 9/16"]

86 MM [3 3/8"]

66 MM [2 5/8"]

7 MM [1/4"]

91 MM [3 9/16"]

86 MM [3 3/8"]

66 MM [2 5/8"]

7 MM [1/4"]

91 MM [3 9/16"]

86 MM [3 3/8"]

66 MM [2 5/8"]

7 MM [1/4"]

91 MM [3 9/16"]

86 MM [3 3/8"]

66 MM [2 5/8"]

7 MM [1/4"]

91 MM [3 9/16"]

86 MM [3 3/8"]

66 MM [2 5/8"]

7 MM [1/4"]

91 MM [3 9/16"]

86 MM [3 3/8"]

66 MM [2 5/8"]

7 MM [1/4"]

91 MM [3 9/16"]

86 MM [3 3/8"]

66 MM [2 5/8"]

7 MM [1/4"]

91 MM [3 9/16"]

86 MM [3 3/8"]

66 MM [2 5/8"]

7 MM [1/4"]

91 MM [3 9/16"]

86 MM [3 3/8"]

66 MM [2 5/8"]

7 MM [1/4"]

91 MM [3 9/16"]

86 MM [3 3/8"]

66 MM [2 5/8"]

7 MM [1/4"]

91 MM [3 9/16"]

86 MM [3 3/8"]

66 MM [2 5/8"]

7 MM [1/4"]

91 MM [3 9/16"]

86 MM [3 3/8"]

66 MM [2 5/8"]

7 MM [1/4"]

91 MM [3 9/16"]

86 MM [3 3/8"]

66 MM [2 5/8"]

7 MM [1/4"]

91 MM [3 9/16"]

86 MM [3 3/8"]

66 MM [2 5/8"]

7 MM [1/4"]

91 MM [3 9/16"]

86 MM [3 3/8"]

66 MM [2 5/8"]

7 MM [1/4"]

91 MM [3 9/16"]

86 MM [3 3/8"]

66 MM [2 5/8"]

7 MM [1/4"]

91 MM [3 9/16"]

86 MM [3 3/8"]

66 MM [2 5/8"]

7 MM [1/4"]

91 MM [3 9/16"]

86 MM [3 3/8"]

66 MM [2 5/8"]

7 MM [1/4"]

91 MM [3 9/16"]

86 MM [3 3/8"]

66 MM [2 5/8"]

7 MM [1/4"]

91 MM [3 9/16"]

86 MM [3 3/8"]

66 MM [2 5/8"]

7 MM [1/4"]

91 MM [3 9/16"]

86 MM [3 3/8"]

66 MM [2 5/8"]

7 MM [1/4"]

91 MM [3 9/16"]