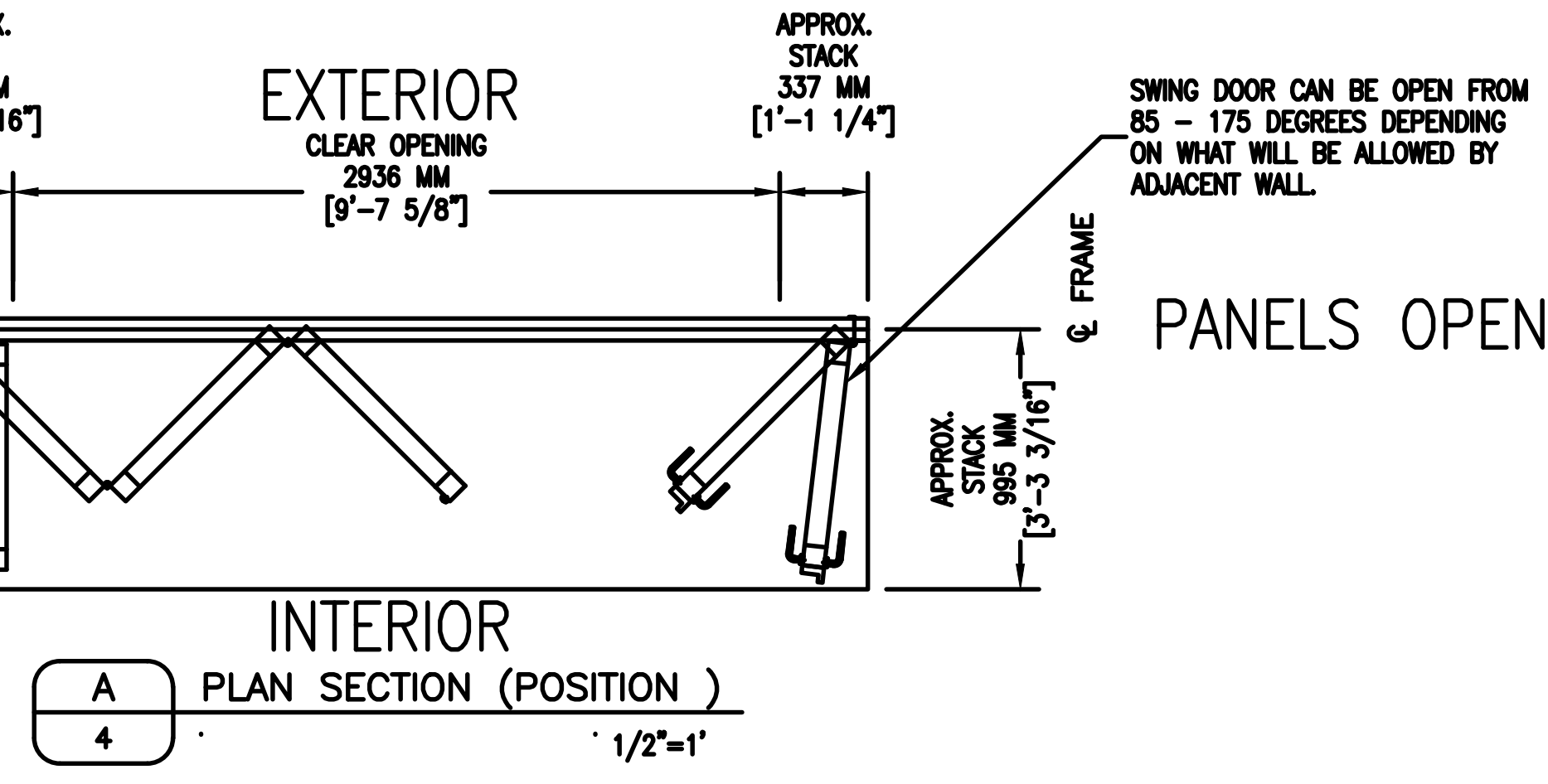
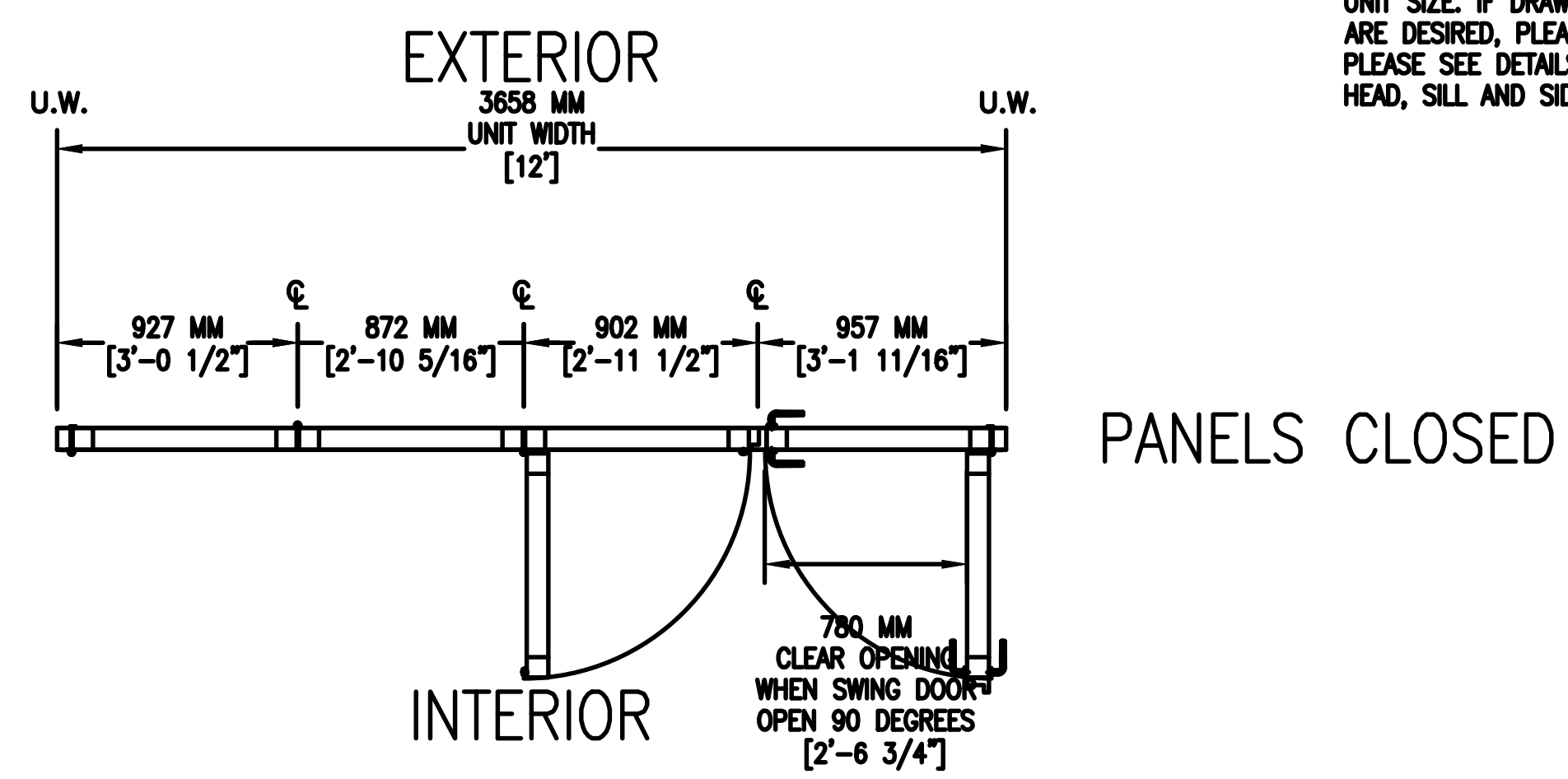


1 ELEVATION - POSITION  
 3 QUANTITY [1]  
 (TYPICAL: ELEVATIONS SHOWN FROM INTERIOR)

NANA WALL SL84 FOLDING SYSTEM (ALU)  
 CONFIGURATION: INWARD 3 LEFT - INWARD 1 RIGHT  
 SILL TYPE: LOW PROFILE SADDLE SILL  
 MOUNT OPTION: FLOOR

\* FIRST PANEL OPEN

NOTE:  
 FOR SUGGESTED ROUGH OPENING DIMENSION  
 PLEASE SEE FRAME SECTION DETAILS ON FOLLOWING  
 DETAIL SHEET  
 THESE DRAWINGS ARE BASED ON A UNIT HEIGHT OF  
 8' AND UNIT WIDTH IN INCREMENTS OF 3' FOR  
 EACH PANEL. THE PURPOSE IS ONLY TO SHOW  
 RELEVANT CROSS SECTION DETAILS AND VARIOUS  
 DIMENSIONS APPLICABLE ONLY FOR THIS SPECIFIC  
 UNIT SIZE. IF DRAWINGS FOR OTHER UNIT SIZES  
 ARE DESIRED, PLEASE CONTACT NANAWALL.  
 PLEASE SEE DETAILS TAB FOR CROSS SECTIONS OF  
 HEAD, SILL AND SIDE JAMB



DASHED LINE INDICATES LIMITS OF  
 FINISH FLOORING THAT MUST BE  
 CLEAR AND LEVEL FOR PROPER  
 OPERABLE FUNCTIONALITY.

A PLAN SECTION (POSITION)  
 4  
 1/2"=1'

