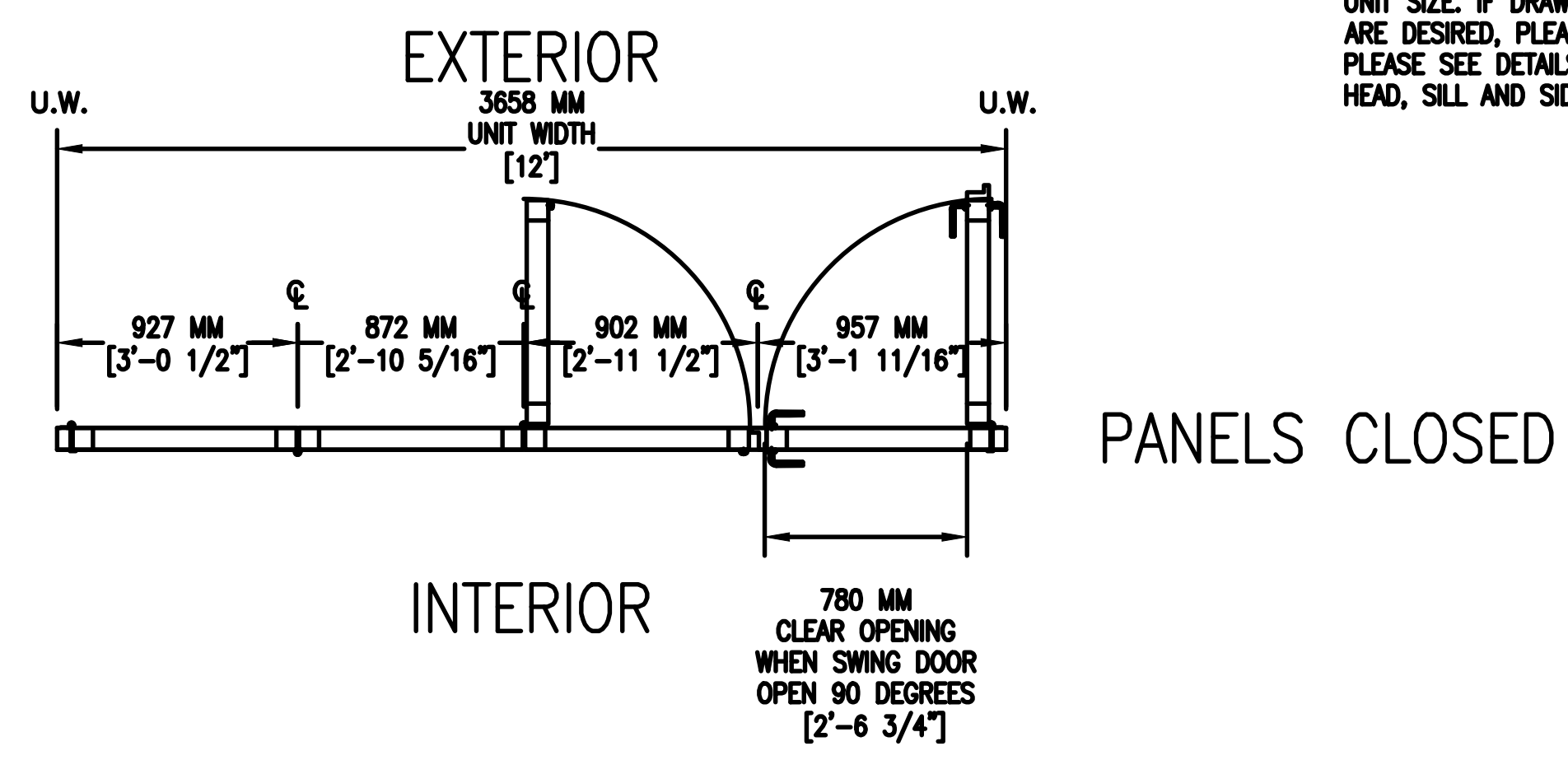


1 ELEVATION - POSITION  
 3 QUANTITY [1]  
 (TYPICAL: ELEVATIONS SHOWN FROM INTERIOR)

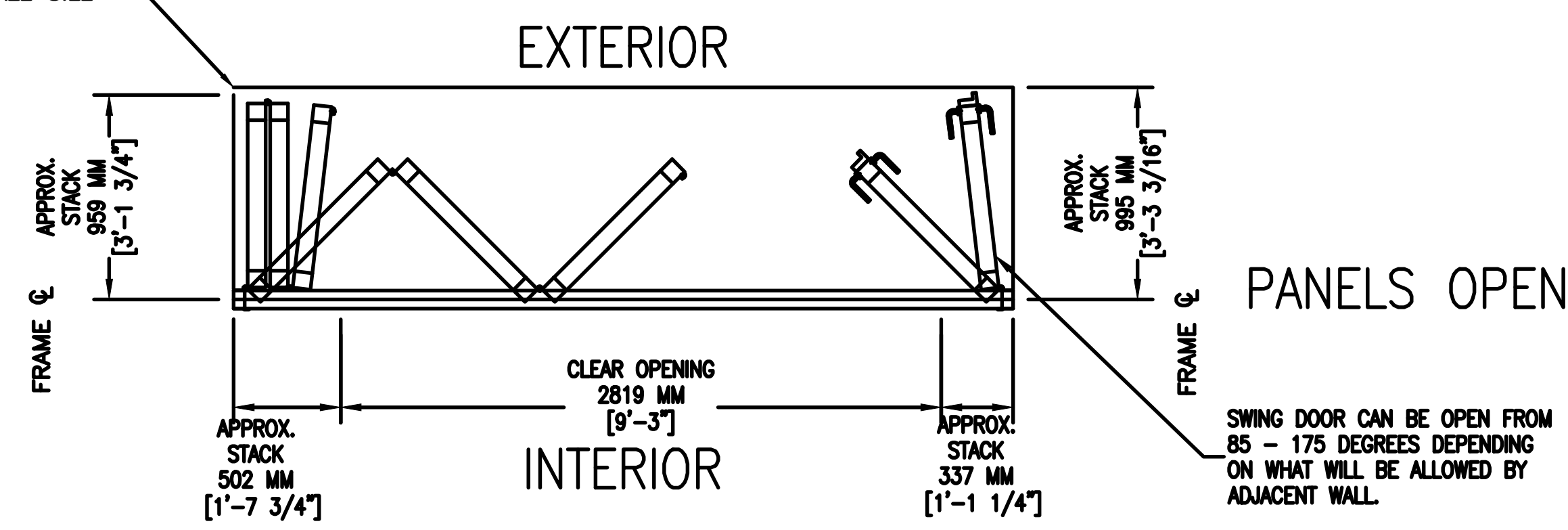
NANA WALL SL84 FOLDING SYSTEM (ALU)  
 CONFIGURATION: OUTWARD 3 LEFT - OUTWARD 1 RIGHT  
 SILL TYPE: FLUSH SILL THERMALLY BROKEN  
 MOUNT OPTION: FLOOR

\* FIRST PANEL OPEN

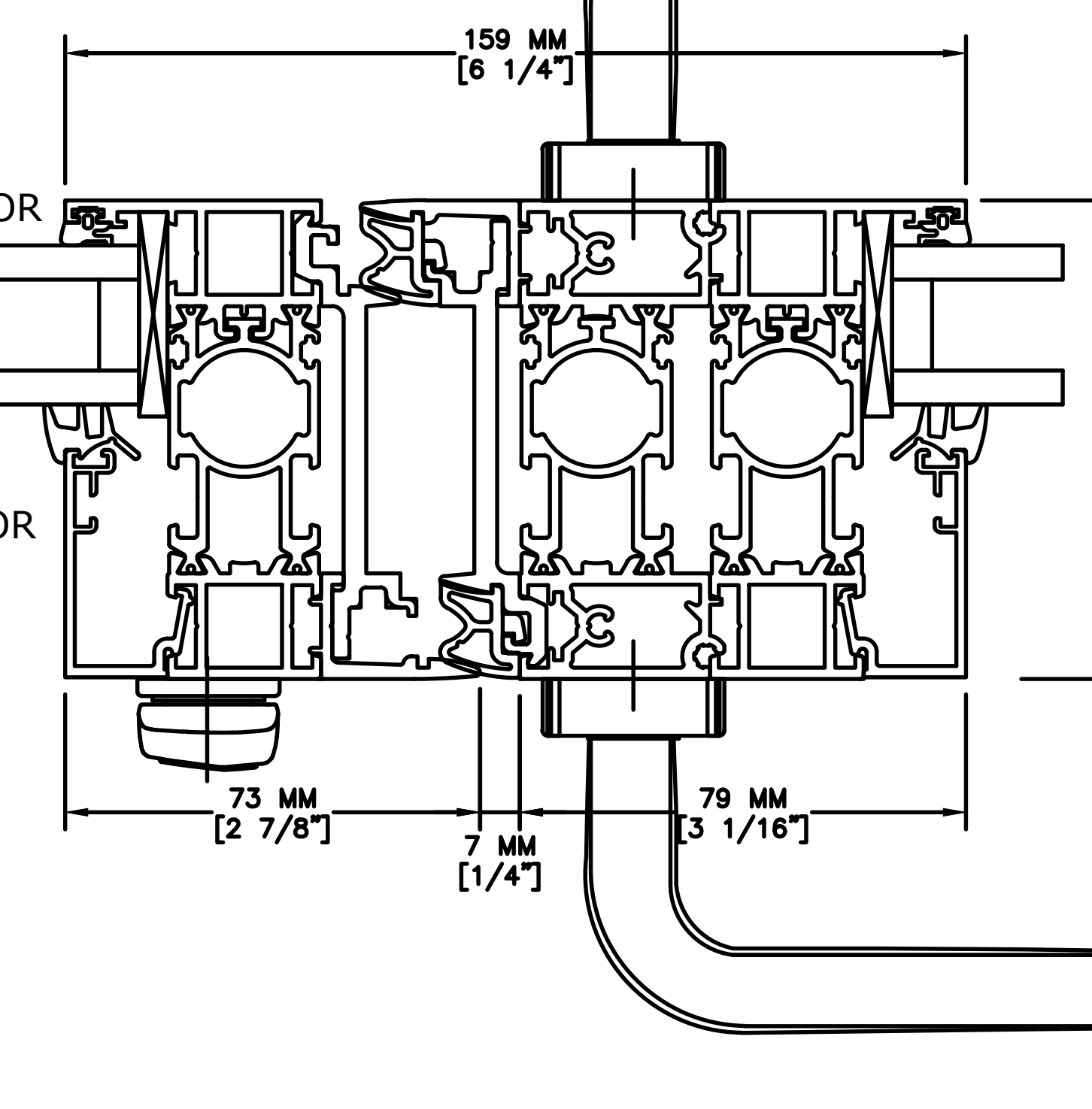
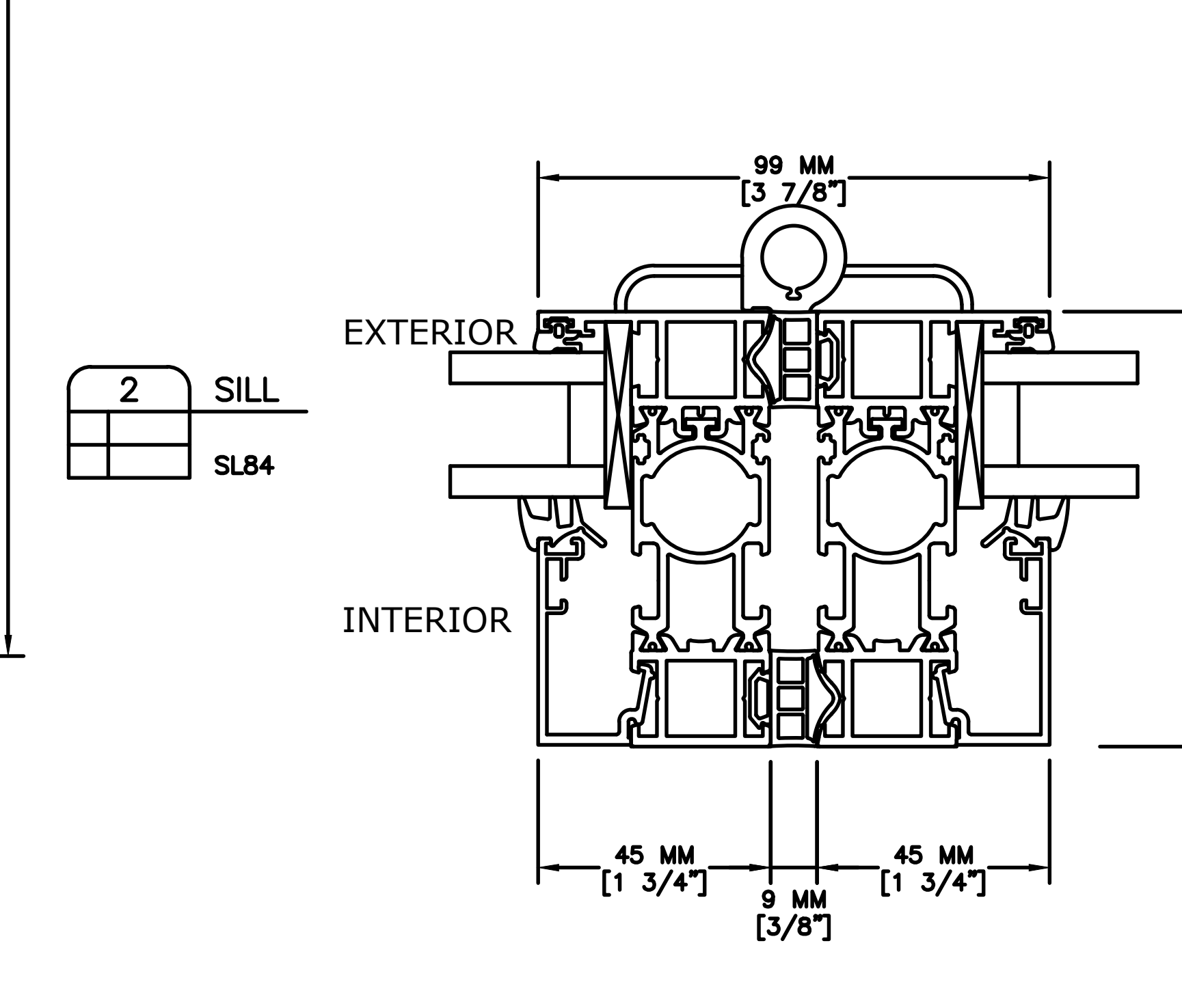
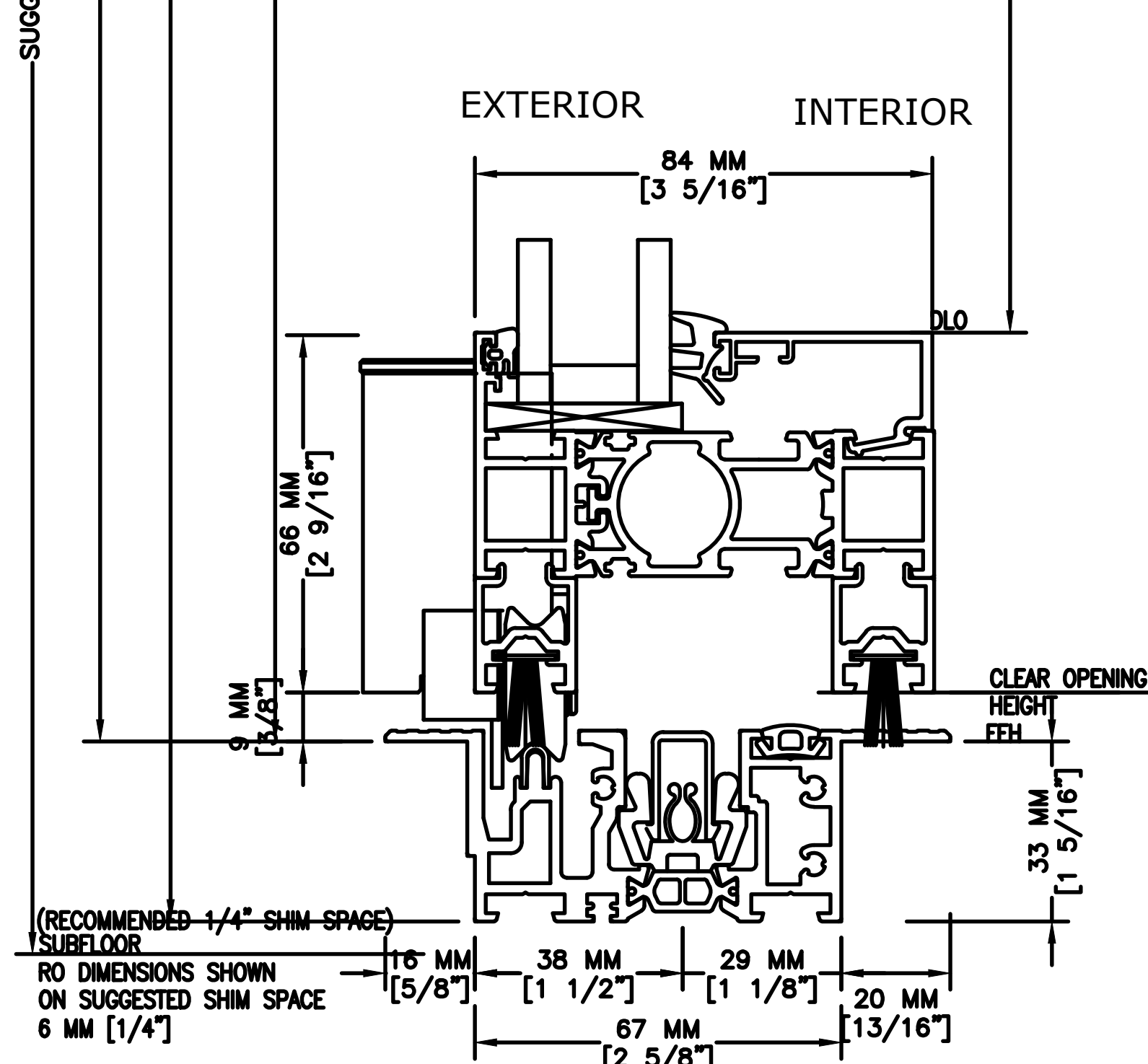
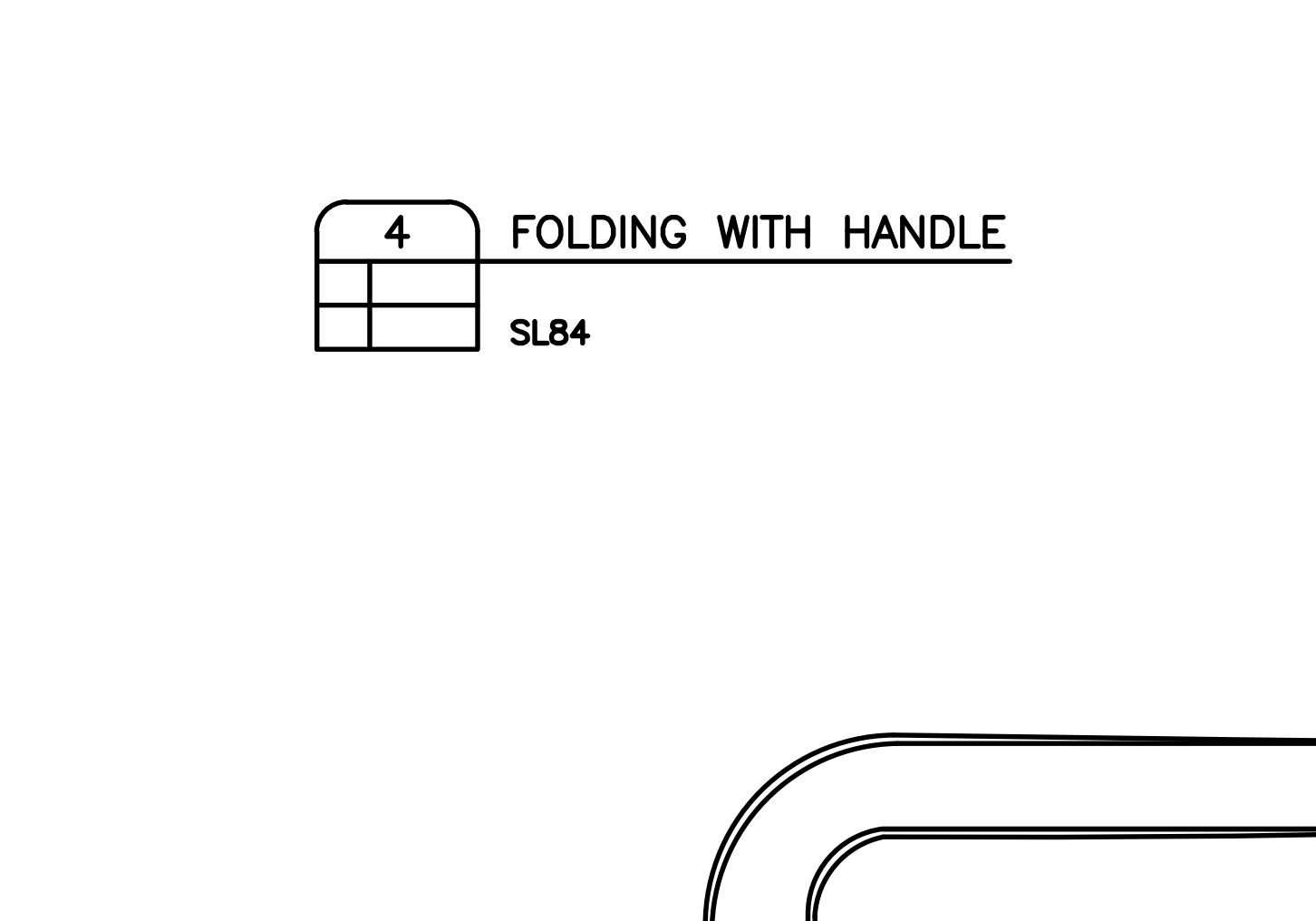
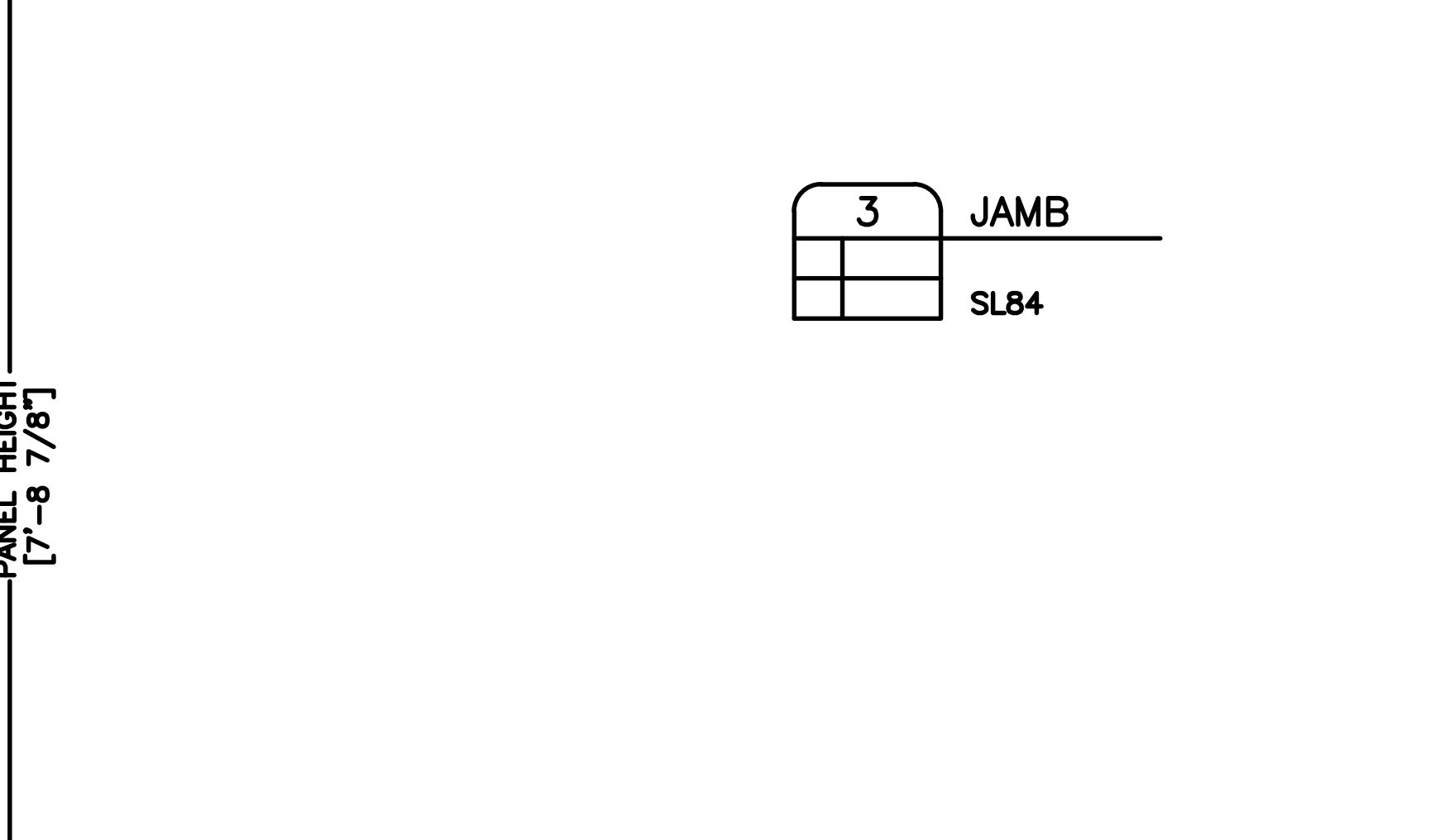
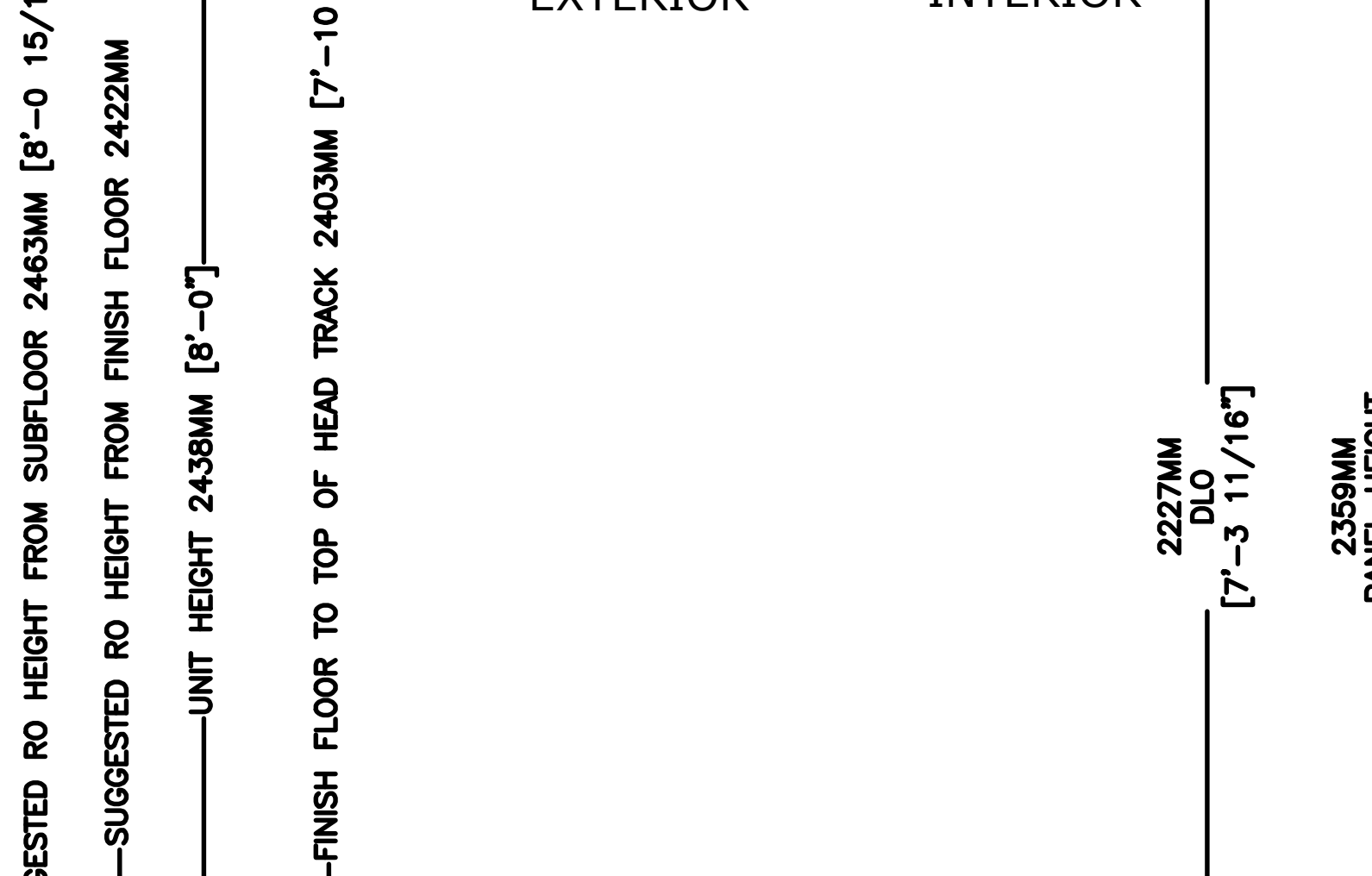
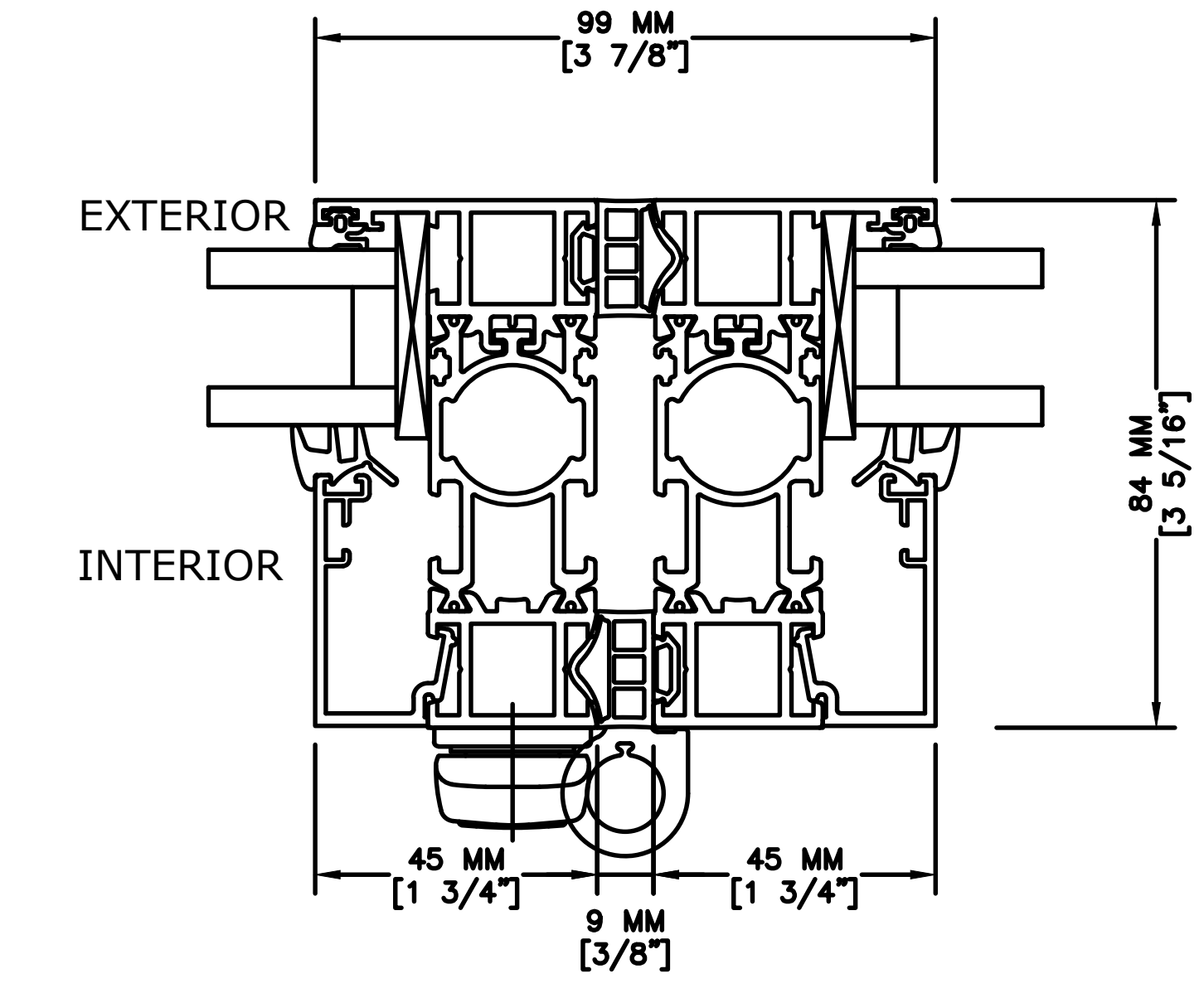
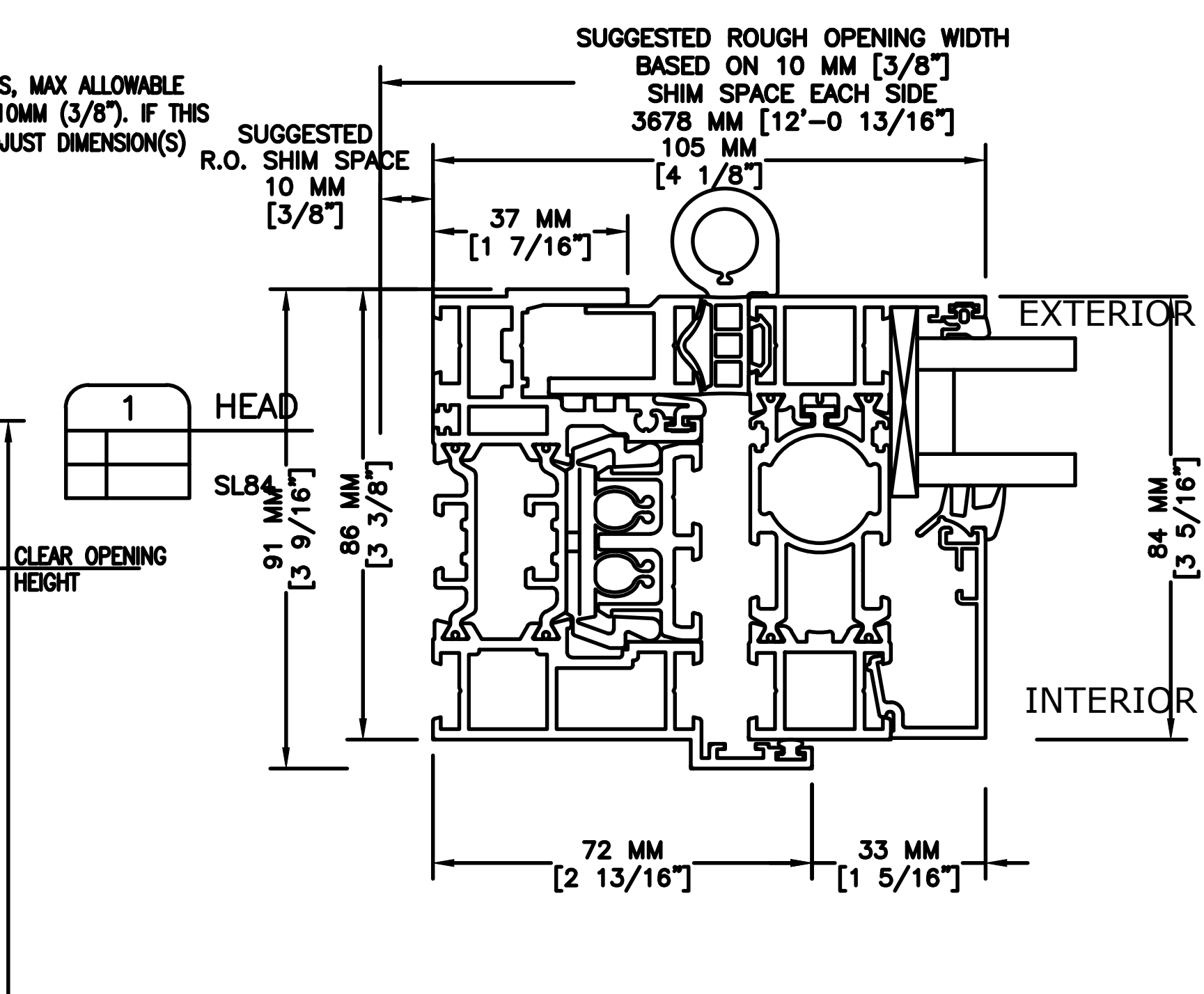
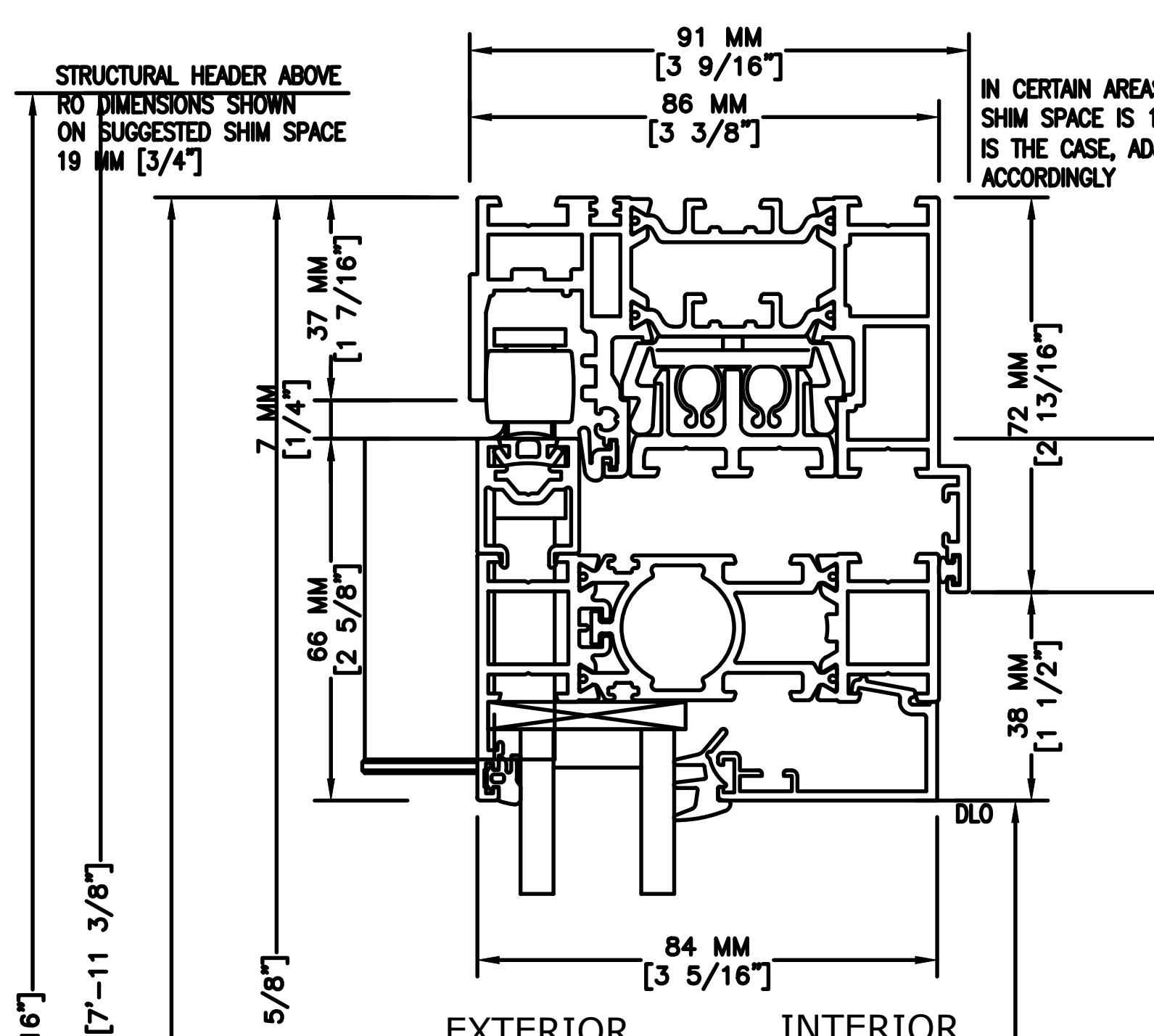
NOTE:  
 FOR SUGGESTED ROUGH OPENING DIMENSION  
 PLEASE SEE FRAME SECTION DETAILS ON FOLLOWING  
 DETAIL SHEET  
 THESE DRAWINGS ARE BASED ON A UNIT HEIGHT OF  
 8' AND UNIT WIDTH IN INCREMENTS OF 3' FOR  
 EACH PANEL. THE PURPOSE IS ONLY TO SHOW  
 RELEVANT CROSS SECTION DETAILS AND VARIOUS  
 DIMENSIONS APPLICABLE ONLY FOR THIS SPECIFIC  
 UNIT SIZE. IF DRAWINGS FOR OTHER UNIT SIZES  
 ARE DESIRED, PLEASE CONTACT NANAWALL.  
 PLEASE SEE DETAILS TAB FOR CROSS SECTIONS OF  
 HEAD, SILL AND SIDE JAMB



FINISH FLOOR LEVEL WITHIN DASHED LINE NOT TO EXCEED THE FINISH FLOOR LEVEL AT NANAWALL SILL



A PLAN SECTION (POSITION)  
 4 1/2"=1'



**A** VERTICAL SECTION  
SL84

**2** SILL  
SL84

**4** FOLDING WITH HANDLE  
SL84

SUGGESTED RO HEIGHT FROM SUBFLOOR 2463MM [8'-0 15/16"]  
SUGGESTED RO HEIGHT FROM FINISH FLOOR 2422MM [7'-11 3/8"]  
UNIT HEIGHT 2438MM [8'-0"]  
FINISH FLOOR TO TOP OF HEAD TRACK 2403MM [7'-10 5/8"]  
2227MM DLO [7'-3 11/16"]  
2359MM PANEL HEIGHT [7'-8 7/8"]