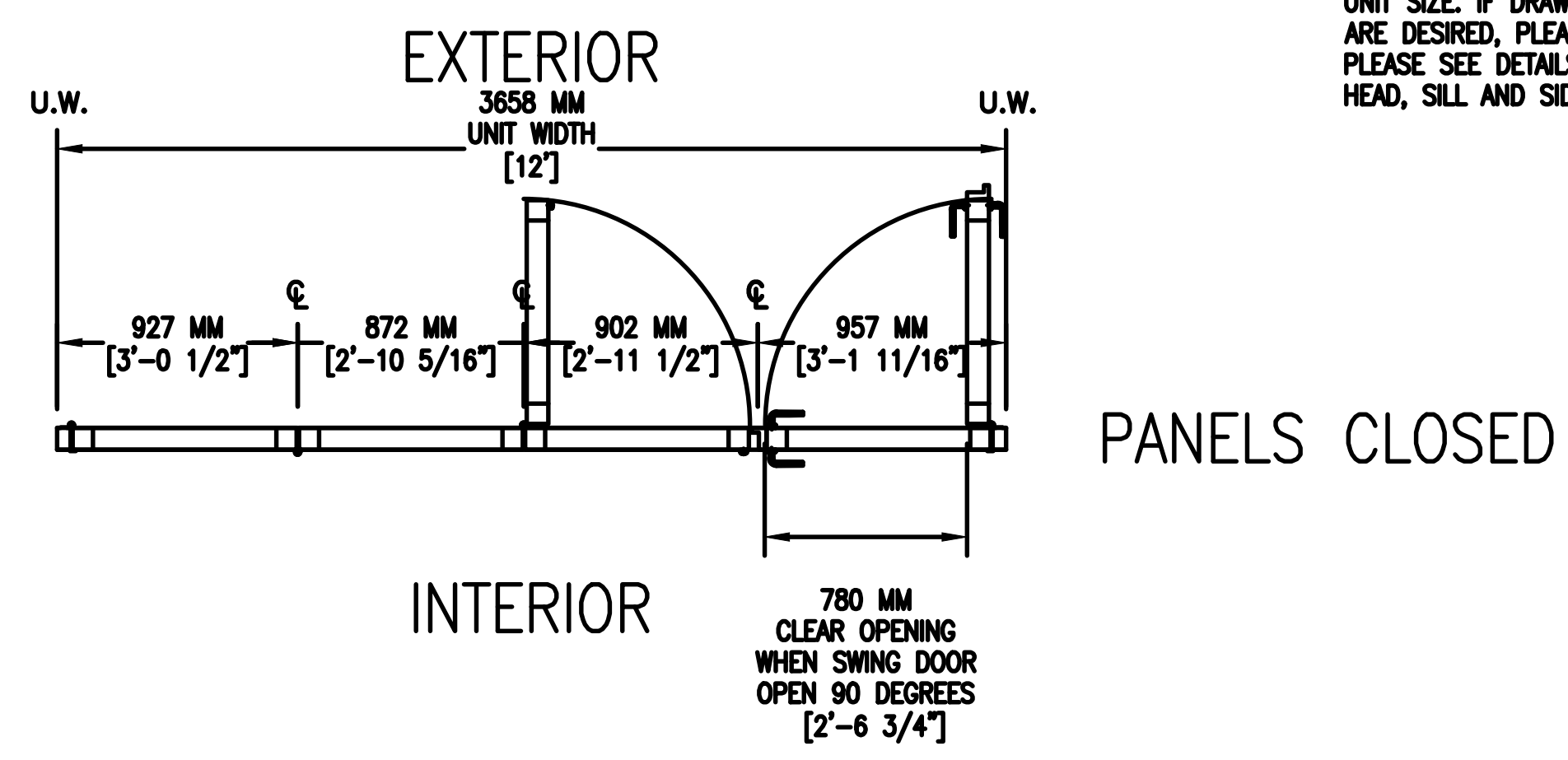


1 ELEVATION - POSITION
 3 QUANTITY [1]
 (TYPICAL: ELEVATIONS SHOWN FROM INTERIOR)

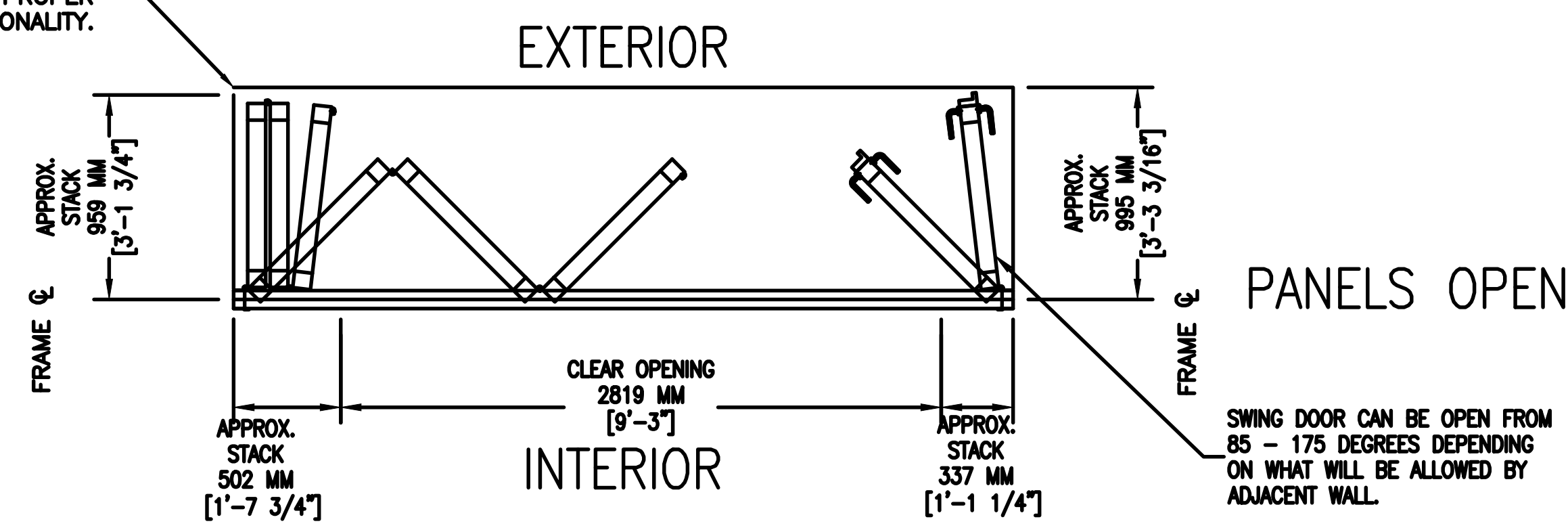
NANA WALL SL84 FOLDING SYSTEM (ALU)
 CONFIGURATION: OUTWARD 3 LEFT - OUTWARD 1 RIGHT
 SILL TYPE: HYBRID SILL
 MOUNT OPTION: FLOOR

* FIRST PANEL OPEN

NOTE:
 FOR SUGGESTED ROUGH OPENING DIMENSION
 PLEASE SEE FRAME SECTION DETAILS ON FOLLOWING
 DETAIL SHEET
 THESE DRAWINGS ARE BASED ON A UNIT HEIGHT OF
 8' AND UNIT WIDTH IN INCREMENTS OF 3' FOR
 EACH PANEL. THE PURPOSE IS ONLY TO SHOW
 RELEVANT CROSS SECTION DETAILS AND VARIOUS
 DIMENSIONS APPLICABLE ONLY FOR THIS SPECIFIC
 UNIT SIZE. IF DRAWINGS FOR OTHER UNIT SIZES
 ARE DESIRED, PLEASE CONTACT NANAWALL.
 PLEASE SEE DETAILS TAB FOR CROSS SECTIONS OF
 HEAD, SILL AND SIDE JAMB



DASHED LINE INDICATES LIMITS OF
 FINISH FLOORING THAT MUST BE
 CLEAR AND LEVEL FOR PROPER
 OPERABLE FUNCTIONALITY.



A PLAN SECTION (POSITION)
 4 1/2"=1'

