

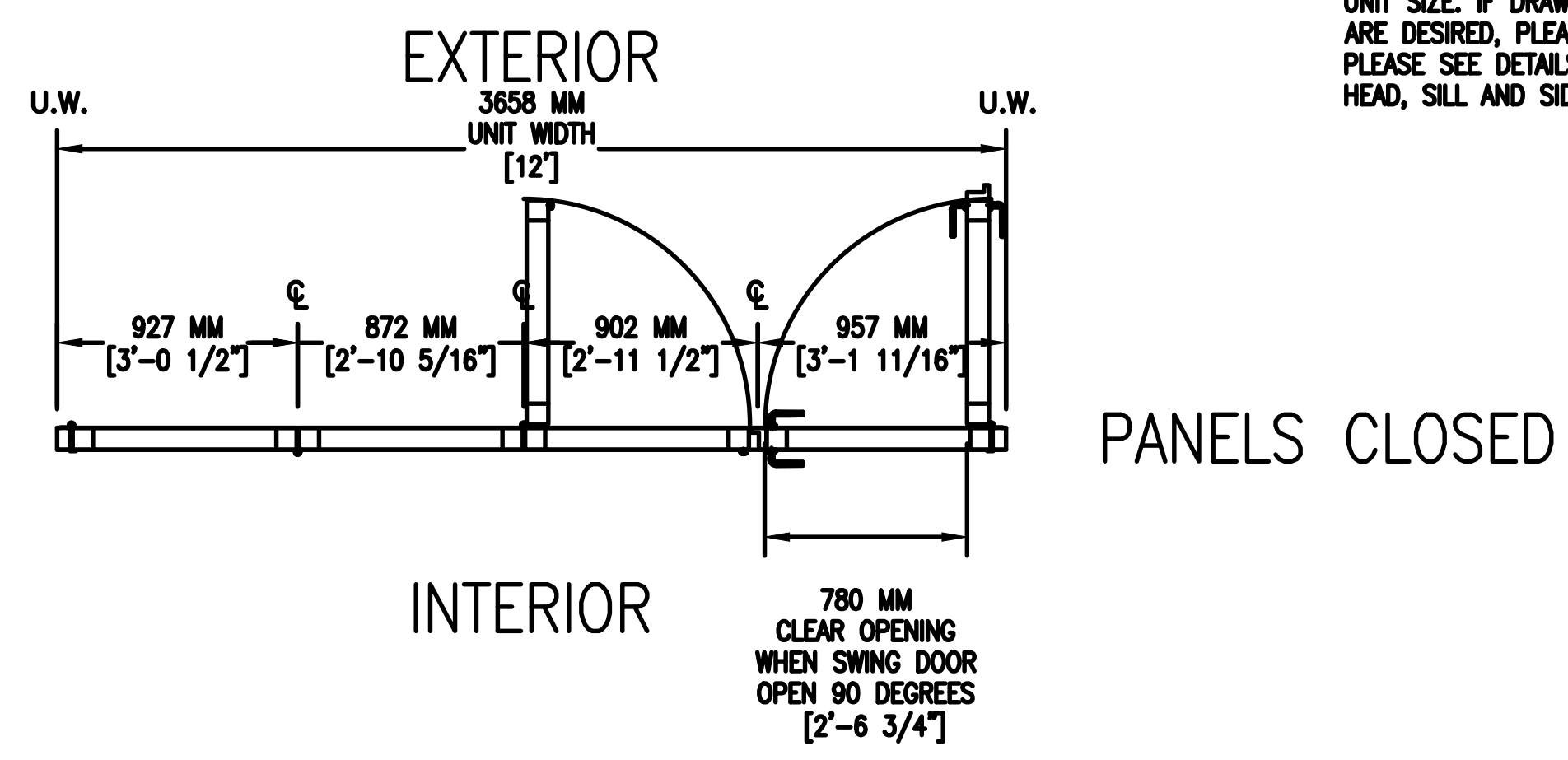
1 ELEVATION - POSITION

3 QUANTITY [1] (TYPICAL: ELEVATIONS SHOWN FROM INTERIOR)

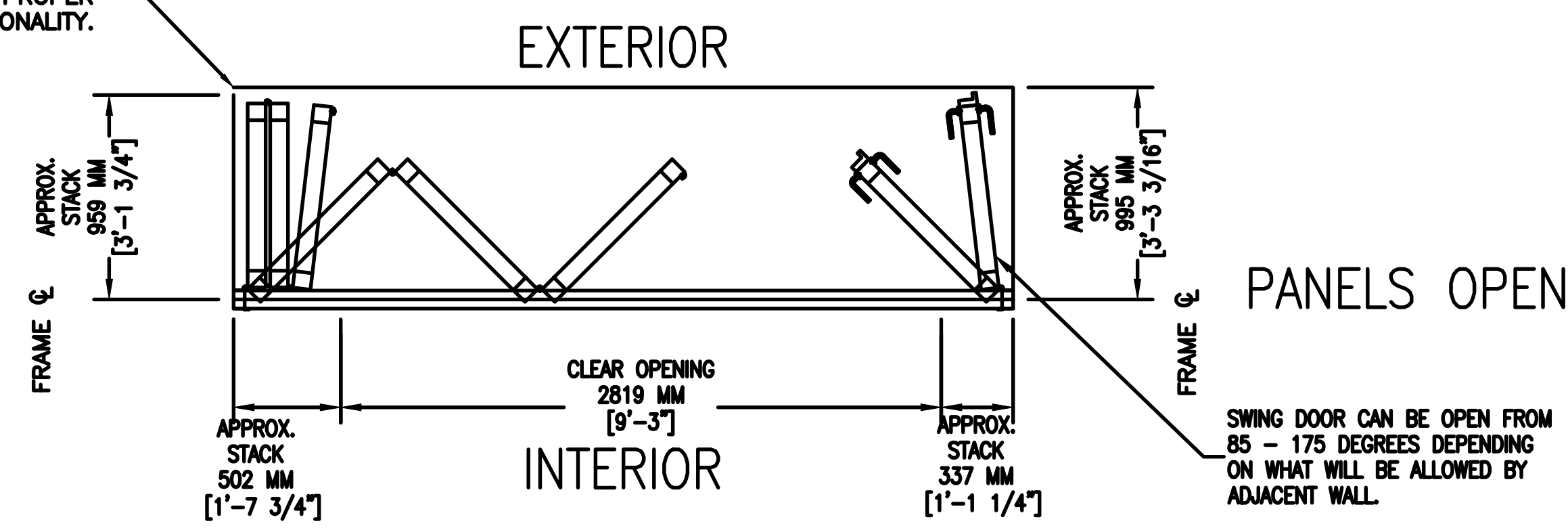
NANA WALL SL84 FOLDING SYSTEM (ALU)  
 CONFIGURATION: OUTWARD 3 LEFT - OUTWARD 1 RIGHT  
 SILL TYPE: LOW PROFILE SADDLE SILL  
 MOUNT OPTION: FLOOR

\* FIRST PANEL OPEN

NOTE:  
 FOR SUGGESTED ROUGH OPENING DIMENSION PLEASE SEE FRAME SECTION DETAILS ON FOLLOWING DETAIL SHEET  
 THESE DRAWINGS ARE BASED ON A UNIT HEIGHT OF 8' AND UNIT WIDTH IN INCREMENTS OF 3' FOR EACH PANEL. THE PURPOSE IS ONLY TO SHOW RELEVANT CROSS SECTION DETAILS AND VARIOUS DIMENSIONS APPLICABLE ONLY FOR THIS SPECIFIC UNIT SIZE. IF DRAWINGS FOR OTHER UNIT SIZES ARE DESIRED, PLEASE CONTACT NANAWALL. PLEASE SEE DETAILS TAB FOR CROSS SECTIONS OF HEAD, SILL AND SIDE JAMB

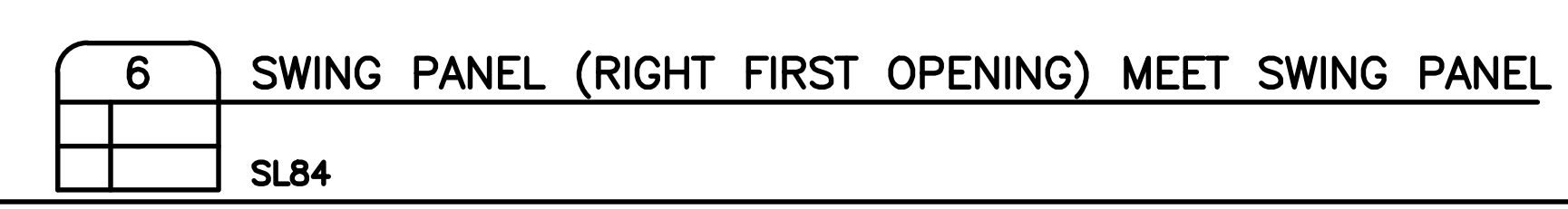
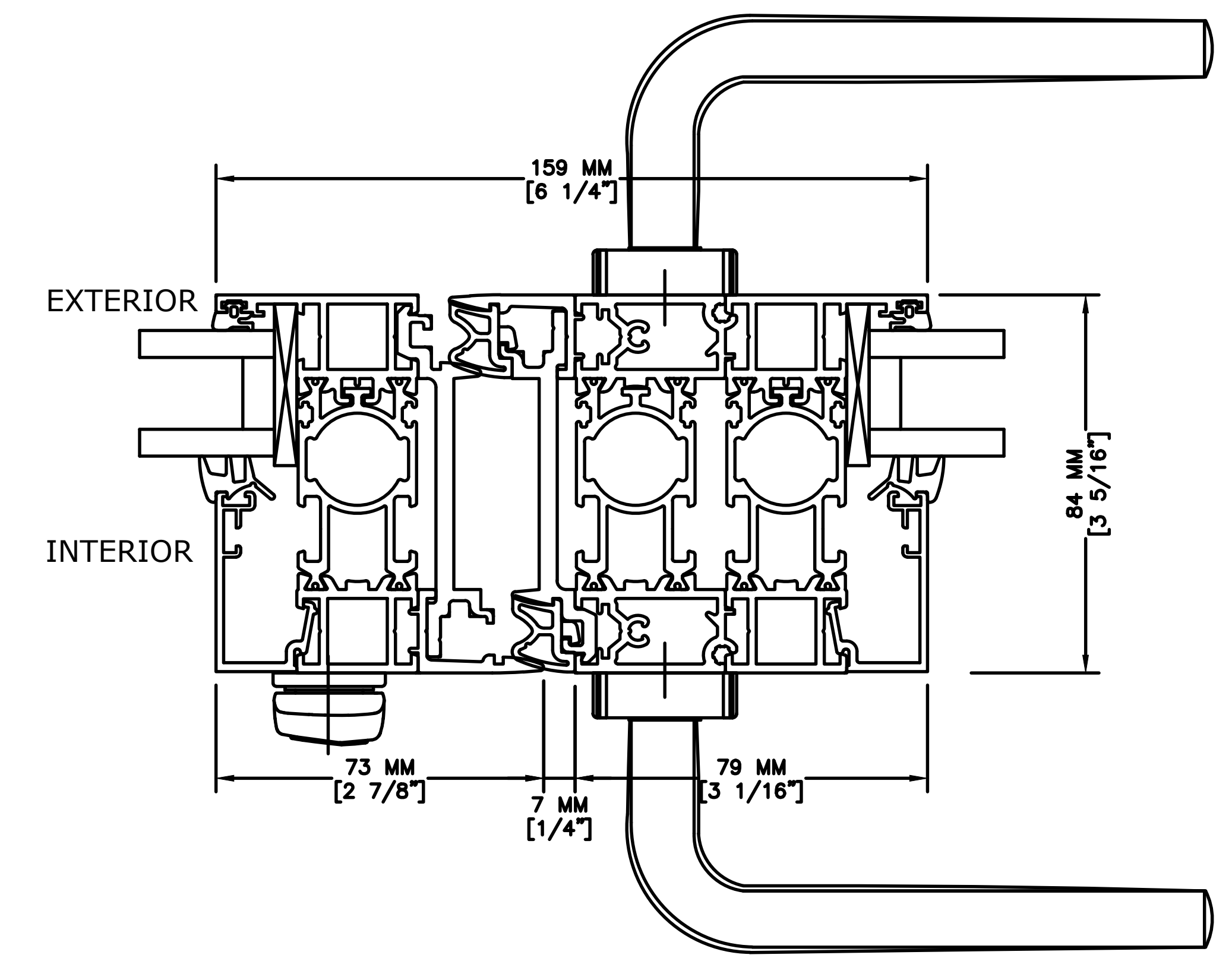
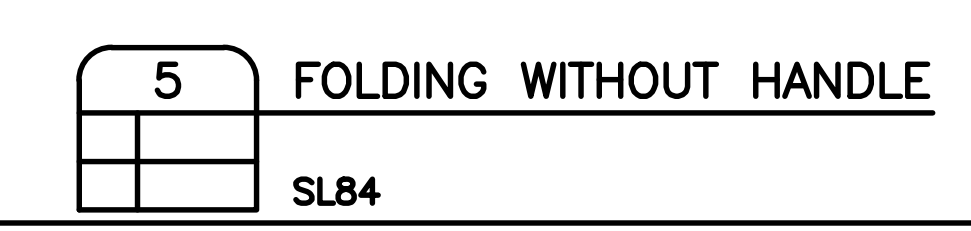
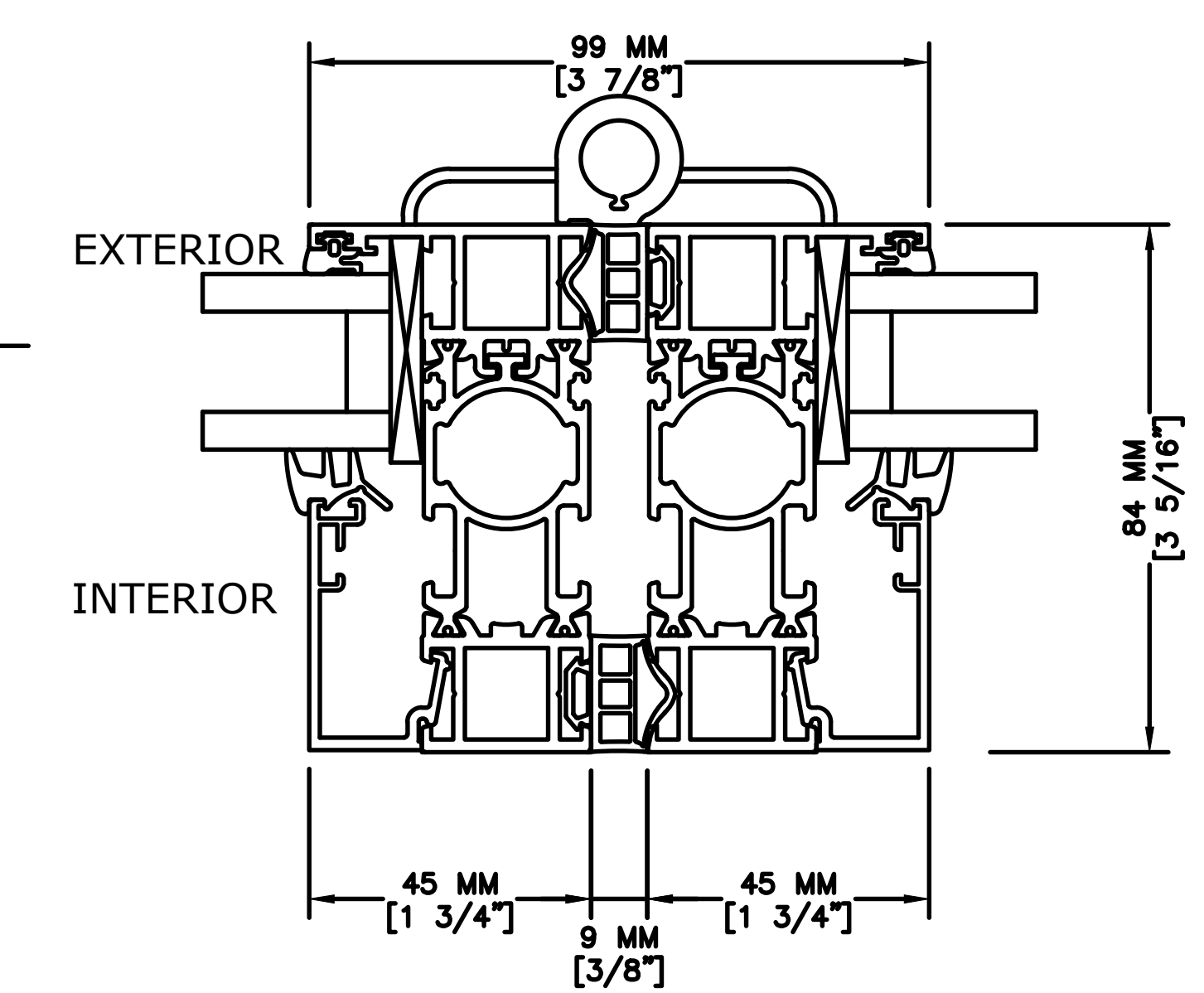
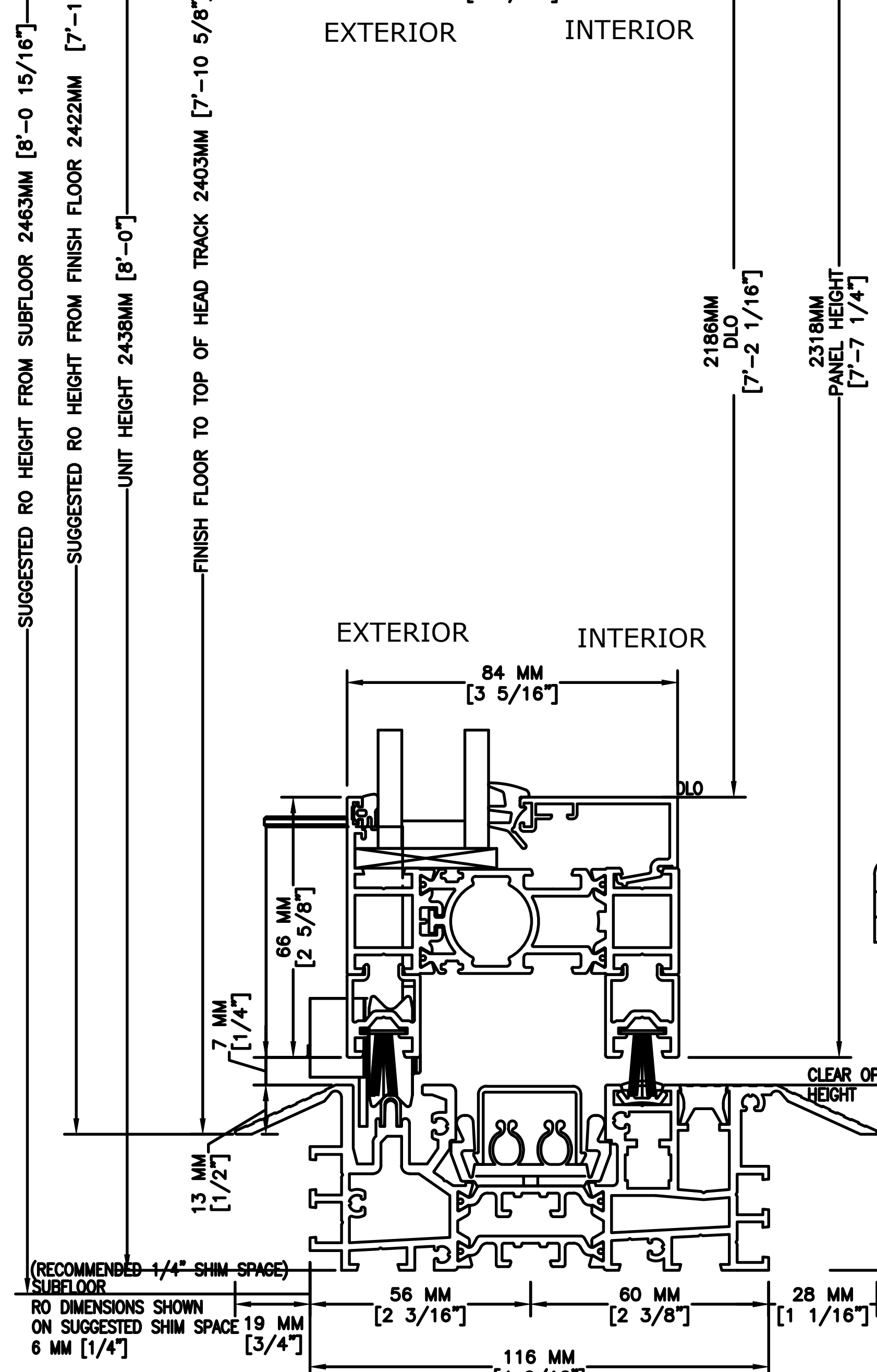
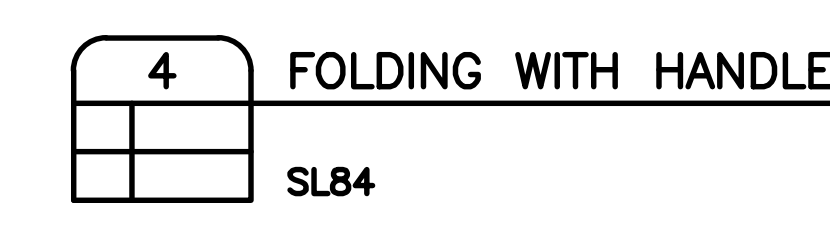
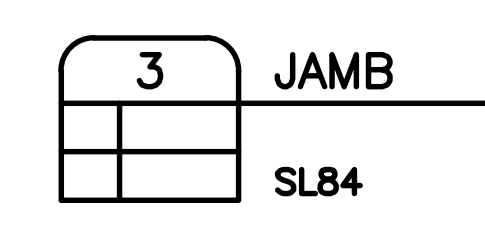
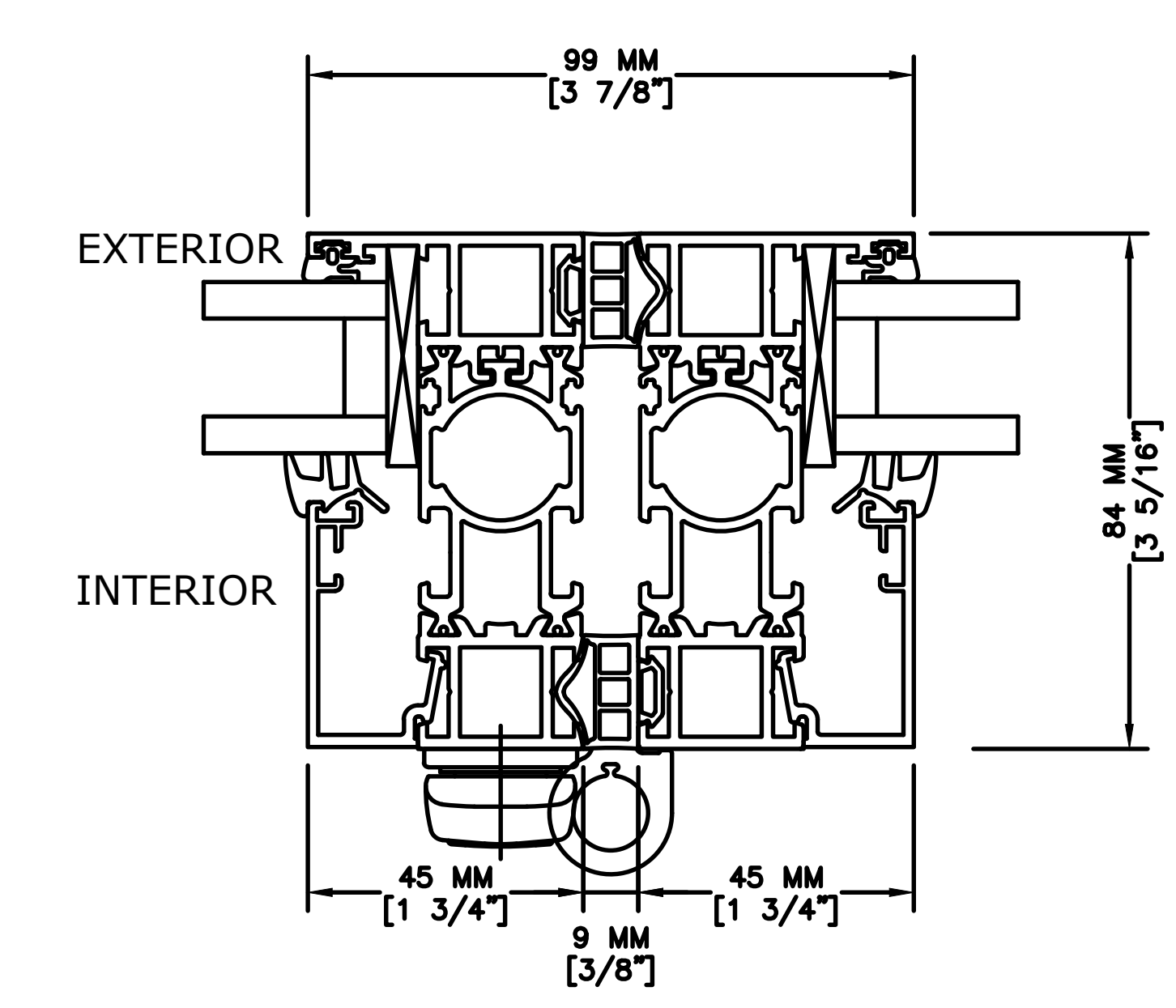
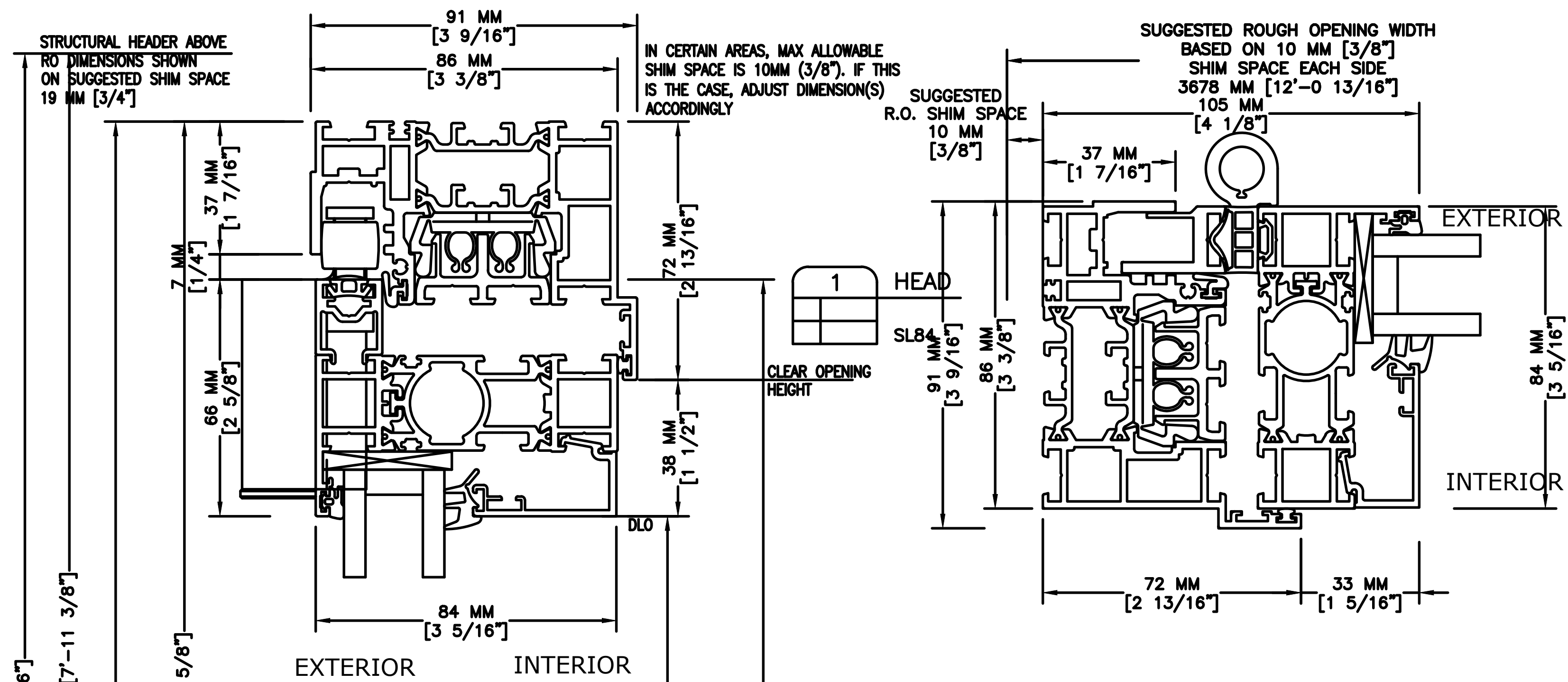


DASHED LINE INDICATES LIMITS OF FINISH FLOORING THAT MUST BE CLEAR AND LEVEL FOR PROPER OPERABLE FUNCTIONALITY.



A PLAN SECTION (POSITION)

4 1/2"=1'



STRUCTURAL HEADER ABOVE RO DIMENSIONS SHOWN ON SUGGESTED SHIM SPACE 19 MM [3/4"]

SUGGESTED RO HEIGHT FROM SUBFLOOR 2463MM [8'-0 15/16"]

SUGGESTED RO HEIGHT FROM FINISH FLOOR 2422MM [7'-11 3/8"]

UNIT HEIGHT 2438MM [8'-0"]

FINISH FLOOR TO TOP OF HEAD TRACK 2403MM [7'-10 5/8"]

2186MM DLO [7'-2 1/16"]

2319MM PANEL HEIGHT [7'-7 1/4"]

IN CERTAIN AREAS, MAX ALLOWABLE SHIM SPACE IS 10MM (3/8"). IF THIS IS THE CASE, ADJUST DIMENSION(S) ACCORDINGLY

SUGGESTED R.O. SHIM SPACE 10 MM [3/8"]

SUGGESTED ROUGH OPENING WIDTH BASED ON 10 MM [3/8"] SHIM SPACE EACH SIDE 3678 MM [12'-0 13/16"]

72 MM [2 13/16"]

33 MM [1 5/16"]

84 MM [3 5/16"]

37 MM [1 7/16"]

105 MM [4 1/8"]

91 MM [3 9/16"]

86 MM [3 3/8"]

72 MM [2 13/16"]

38 MM [1 1/2"]

72 MM [2 13/16"]

33 MM [1 5/16"]

84 MM [3 5/16"]

99 MM [3 7/8"]

84 MM [3 5/16"]

45 MM [1 3/4"]

9 MM [3/8"]

45 MM [1 3/4"]

2186MM DLO [7'-2 1/16"]

2319MM PANEL HEIGHT [7'-7 1/4"]

84 MM [3 5/16"]

84 MM [3 5/16"]

159 MM [6 1/4"]

84 MM [3 5/16"]

73 MM [2 7/8"]

7 MM [1/4"]

79 MM [3 1/16"]

84 MM [3 5/16"]

116 MM [4 9/16"]

56 MM [2 3/16"]

60 MM [2 3/8"]

28 MM [1 1/16"]

66 MM [2 5/8"]

7 MM [1/4"]

13 MM [1/2"]

35 MM [1 3/8"]

7 MM [1/4"]

37 MM [1 7/16"]

72 MM [2 13/16"]

38 MM [1 1/2"]

91 MM [3 9/16"]

86 MM [3 3/8"]

105 MM [4 1/8"]

37 MM [1 7/16"]

105 MM [4 1/8"]

91 MM [3 9/16"]

86 MM [3 3/8"]

72 MM [2 13/16"]

33 MM [1 5/16"]

84 MM [3 5/16"]

99 MM [3 7/8"]

84 MM [3 5/16"]

45 MM [1 3/4"]

9 MM [3/8"]

45 MM [1 3/4"]

2186MM DLO [7'-2 1/16"]

2319MM PANEL HEIGHT [7'-7 1/4"]

84 MM [3 5/16"]

84 MM [3 5/16"]

159 MM [6 1/4"]

84 MM [3 5/16"]

73 MM [2 7/8"]

7 MM [1/4"]

79 MM [3 1/16"]

84 MM [3 5/16"]

116 MM [4 9/16"]

56 MM [2 3/16"]

60 MM [2 3/8"]

28 MM [1 1/16"]

66 MM [2 5/8"]

7 MM [1/4"]

13 MM [1/2"]

35 MM [1 3/8"]

7 MM [1/4"]

37 MM [1 7/16"]

72 MM [2 13/16"]

38 MM [1 1/2"]

91 MM [3 9/16"]

86 MM [3 3/8"]

105 MM [4 1/8"]

37 MM [1 7/16"]

105 MM [4 1/8"]

91 MM [3 9/16"]

86 MM [3 3/8"]

72 MM [2 13/16"]

33 MM [1 5/16"]

84 MM [3 5/16"]

99 MM [3 7/8"]

84 MM [3 5/16"]

45 MM [1 3/4"]

9 MM [3/8"]

45 MM [1 3/4"]

2186MM DLO [7'-2 1/16"]

2319MM PANEL HEIGHT [7'-7 1/4"]

84 MM [3 5/16"]

84 MM [3 5/16"]

159 MM [6 1/4"]

84 MM [3 5/16"]

73 MM [2 7/8"]

7 MM [1/4"]

79 MM [3 1/16"]

84 MM [3 5/16"]

