

# NanaWall

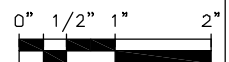
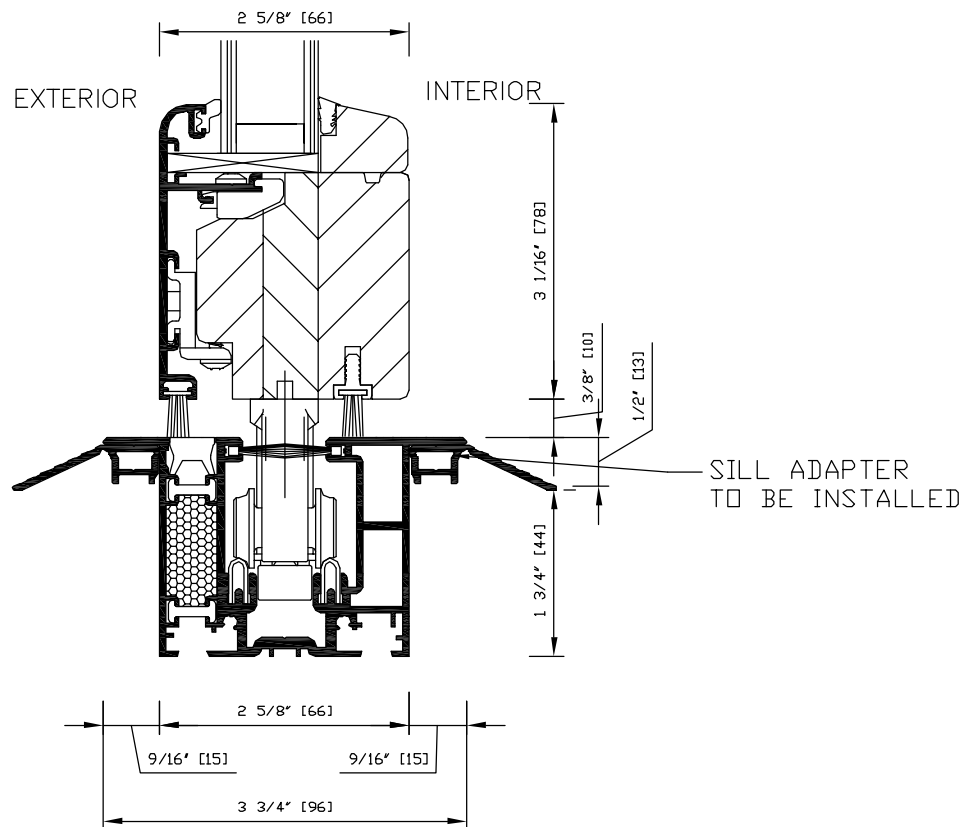
WA67

INWARD OPENING

SECTION DETAIL  
DETAIL 13.0

LOW PROFILE SADDLE SILL

(For resistance against wind driven rain,  
drain connections by others necessary.)



CAD FILE NAME: WA67130