

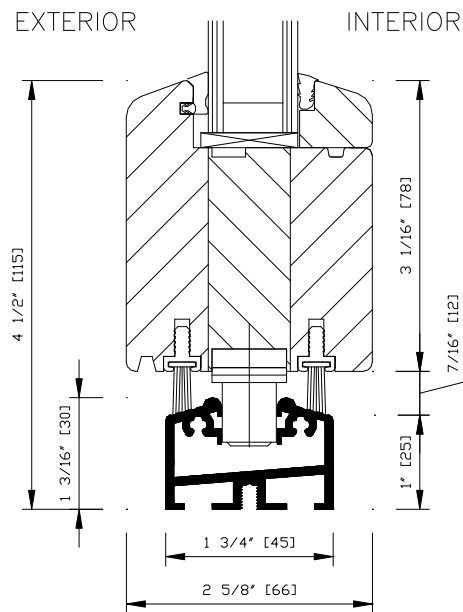
NanaWall

WD65

INWARD OPENING

SECTION DETAIL
DETAIL 2.0

TOP HUNG STANDARD SILL



CAD FILE NAME: WD6520