

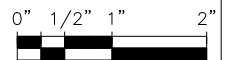
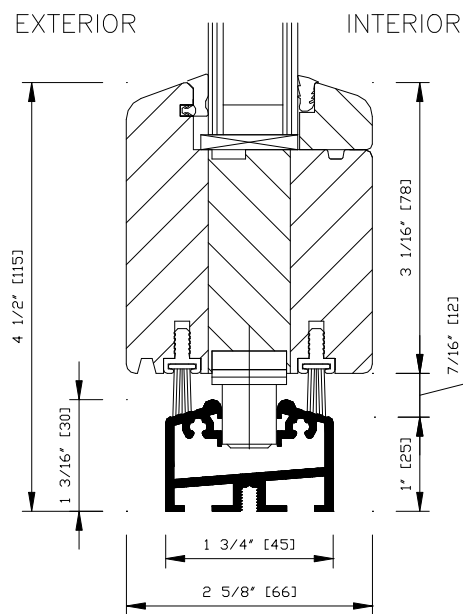
NanaWall

WD65

OUTWARD OPENING

SECTION DETAIL
DETAIL 2.1

TOP HUNG STANDARD SILL



CAD FILE NAME: WD6521