

NanaWall

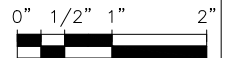
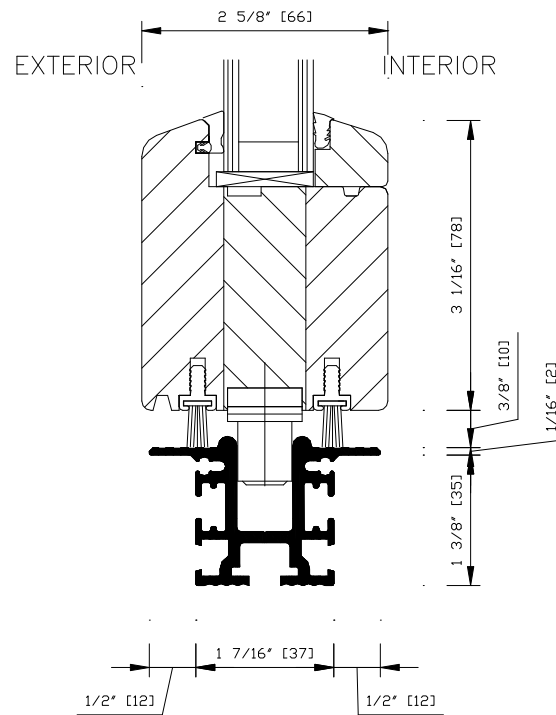
WD65

INWARD OPENING

SECTION DETAIL
DETAIL 26.0

TOP HUNG FLUSH SILL

(For resistance against wind driven rain,
drain connections by others necessary.)



CAD FILE NAME: WD65260