

NanaWall

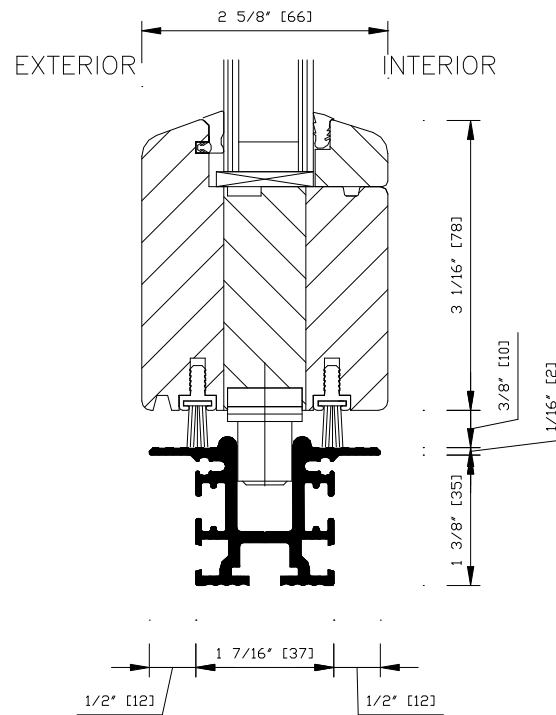
WD65

OUTWARD OPENING

SECTION DETAIL
DETAIL 26.1

TOP HUNG FLUSH SILL

(For resistance against wind driven rain,
drain connections by others necessary.)



CAD FILE NAME: WD65261