

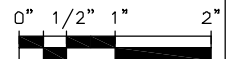
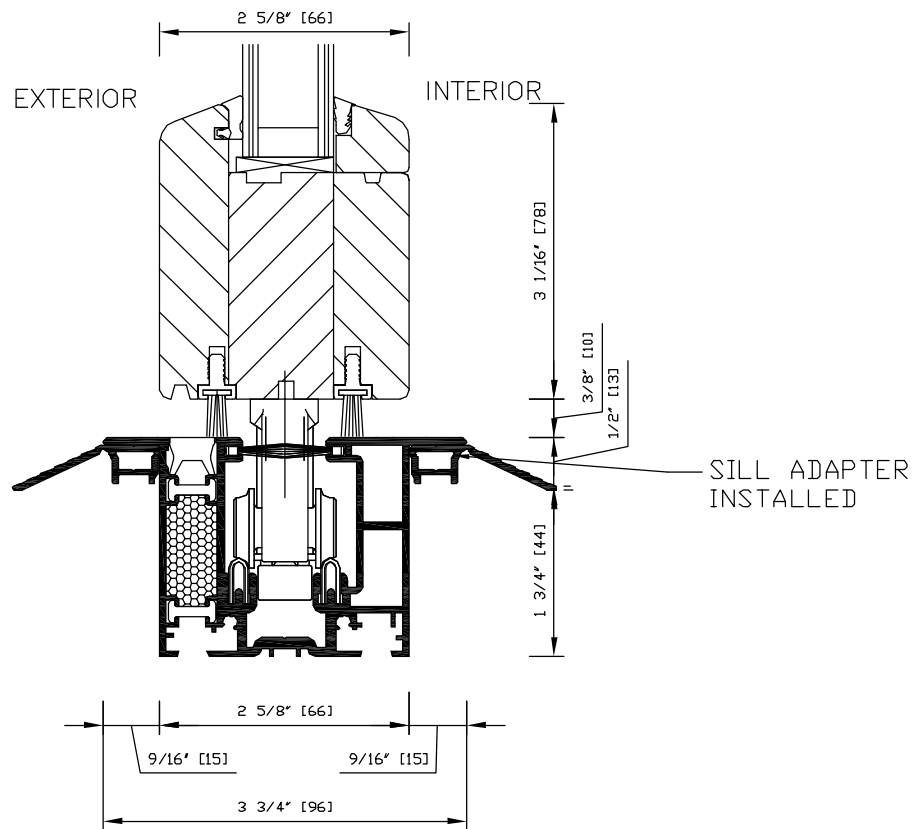
NanaWall

WD66

OUTWARD OPENING

SECTION DETAIL
DETAIL 13.1

LOW PROFILE SADDLE SILL



CAD FILE NAME: WD66131