

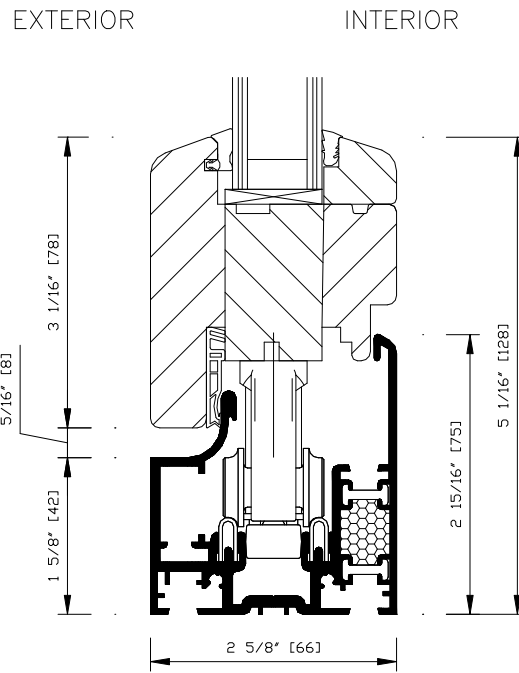
NanaWall

WD66

OUTWARD OPENING

SECTION DETAIL
DETAIL 42.1

BOTTOM ROLLED RAISED SILL



CAD FILE NAME: WD66421