

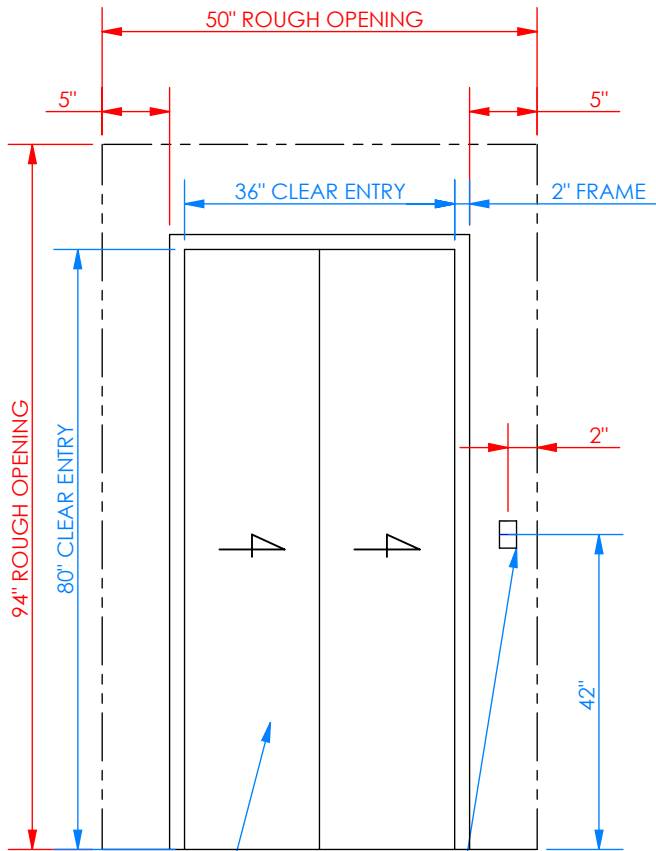
**!WARNING!**

SPACE BETWEEN DOOR AND HOISTWAY MUST NOT EXCEED 3"

INTERLOCKS CONFORMING TO ASME A17.1 MUST BE INSTALLED AND ADJUSTED PER THE MANUFACTURER'S INSTRUCTIONS.

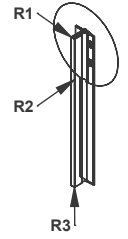
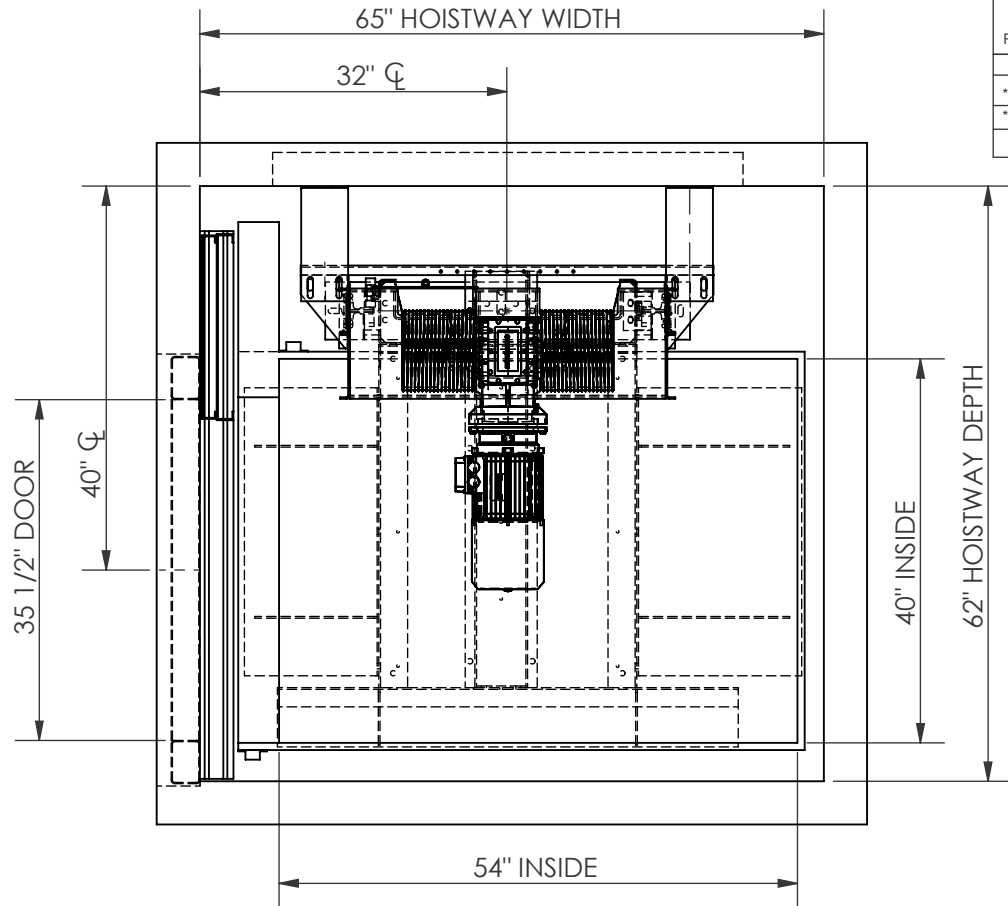
**!FAILURE TO COMPLY MAY RESULT IN SERIOUS INJURY OR DEATH!**

NOTE:  
LEAVE ROUGH OPENING MIN 14" WIDER & 14" HIGHER THAN CLEAR OPENING, AS SHOWN.



2 SPD SIDESLIDE ENTRANCE

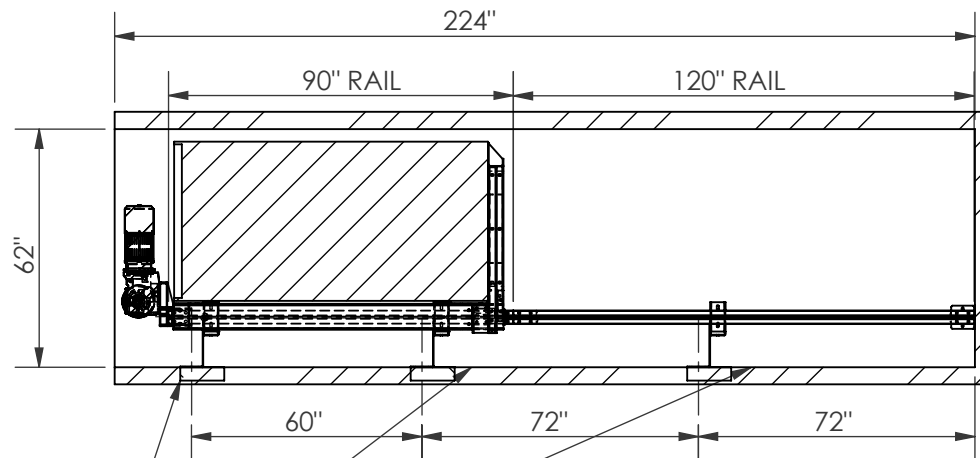
2 1/4" WIDE X 3 3/4" HIGH  
3" DEEP CUTOUT ON ALL FLOORS FOR CALL BUTTON BOX



RAIL WEIGHT: 8 lbs/ft	
RAIL FORCES	
*R1(Fx)	1075 lbs
*R2(Fy)	358 lbs
R3(Fz)	2500 lbs

SIZE **A**  **Nationwide Lifts**  
America's *leader* in home elevators.

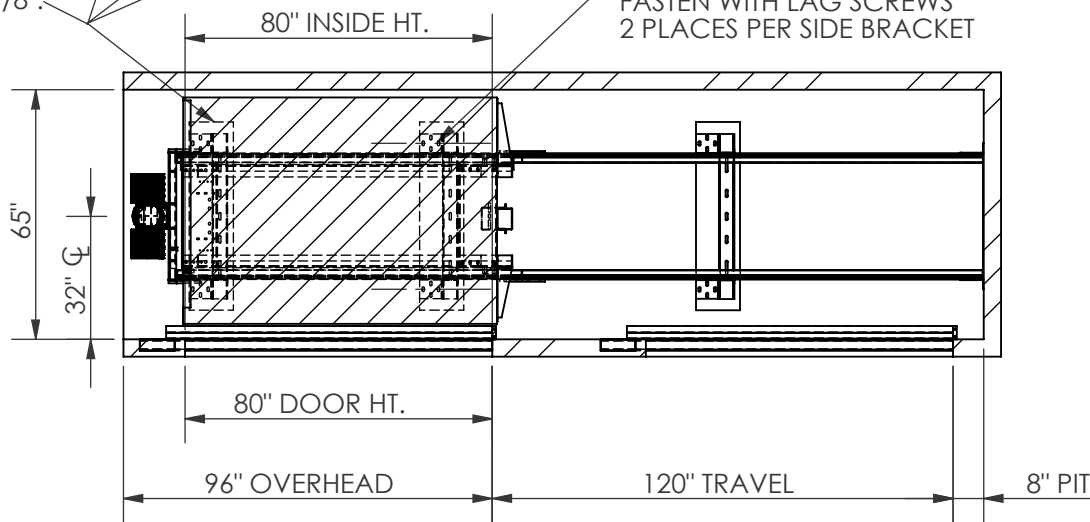
PART NO.  
**40 X 54, 1L**  
SHEET 1 OF 3  
DESCRIPTION:  
SLIDING DOORS, OVERHEAD DRUM




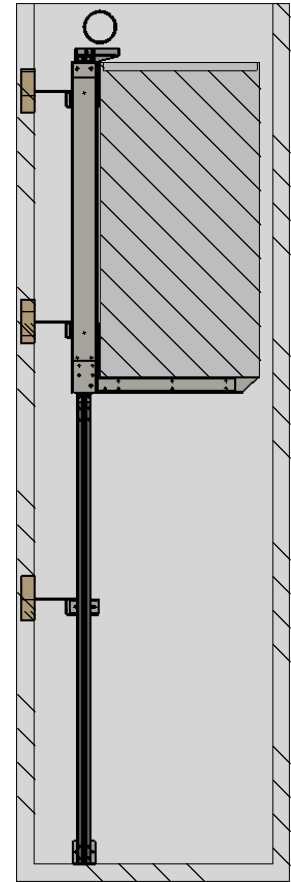
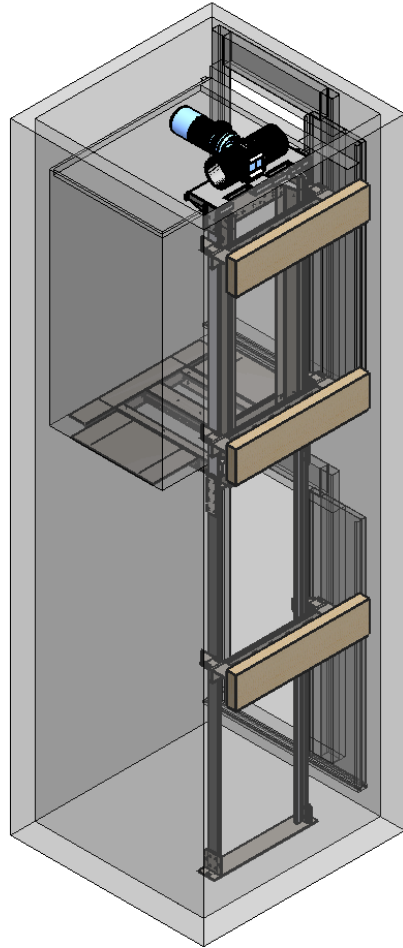
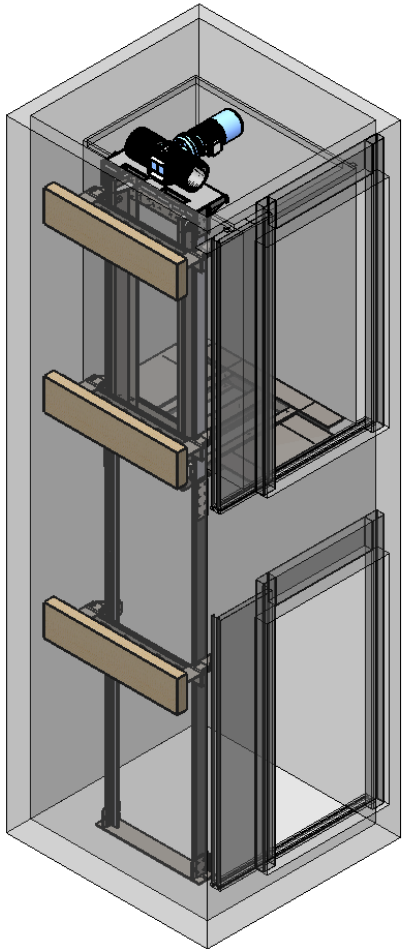
BRACKET LOCATIONS MAY VARY  
ACORDING TO TRAVEL

PROVIDE WALL CONSTRUCTION  
SUITABLE FOR ATTACHMENT OF  
RAIL BRACKETS AT SHOWN ELEVATION.  
MUST BE CAPABLE OF 300LB PULLOUT  
LOADING WITH MAX DEFLECTION OF 1/8".

SPREADER BRACKETS  
FASTEN WITH LAG SCREWS  
2 PLACES PER SIDE BRACKET



SIZE <b>A</b>	 America's <i>leader</i> in home elevators.
PART NO. <b>40 X 54, 1L</b>	
SHEET 2 OF 3	
DESCRIPTION: SLIDING DOORS, OVERHEAD DRUM	



5




4

3

2

1

SIZE <b>A</b>	 <b>Nationwide Lifts</b> <i>America's leader in home elevators.</i>
PART NO. <b>40 X 54, 1L</b>	
SHEET 3 OF 3	
DESCRIPTION: SLIDING DOORS, OVERHEAD DRUM	