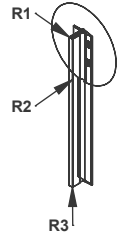
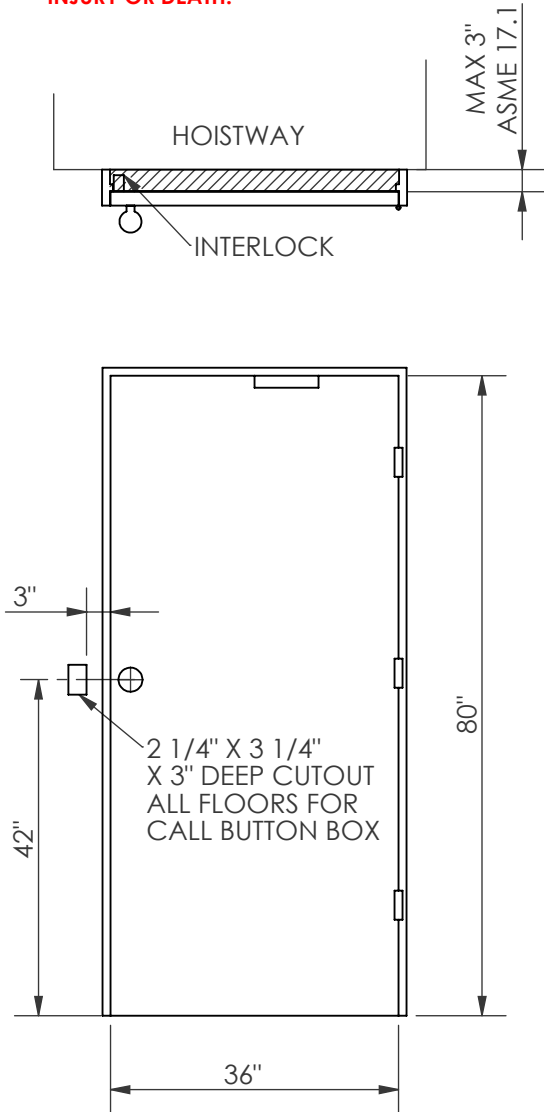


**!WARNING!**

SPACE BETWEEN DOOR AND HOISTWAY  
MUST NOT EXCEED 3"

INTERLOCKS CONFORMING TO ASME A17.1  
MUST BE INSTALLED AND ADJUSTED PER  
THE MANUFACTURER'S INSTRUCTIONS.

**!FAILURE TO COMPLY  
MAY RESULT IN SERIOUS  
INJURY OR DEATH!**




RAIL WEIGHT: 8 lbs/ft

RAIL FORCES

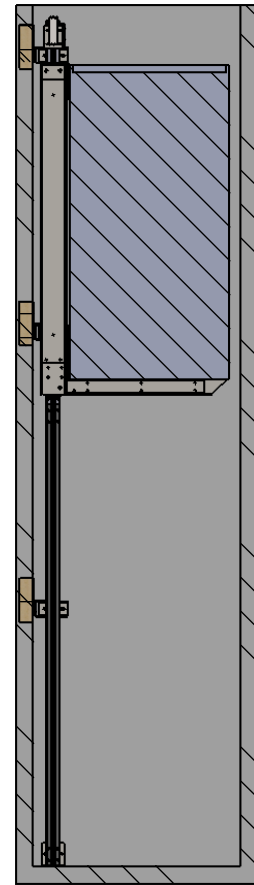
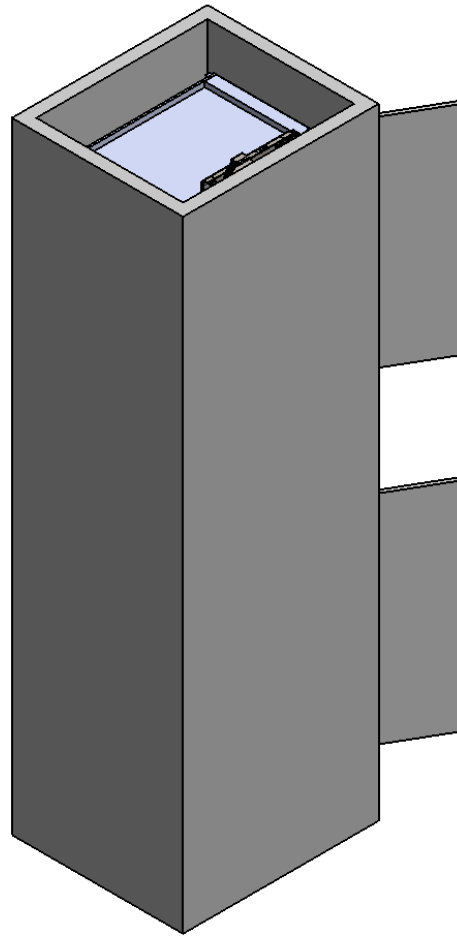
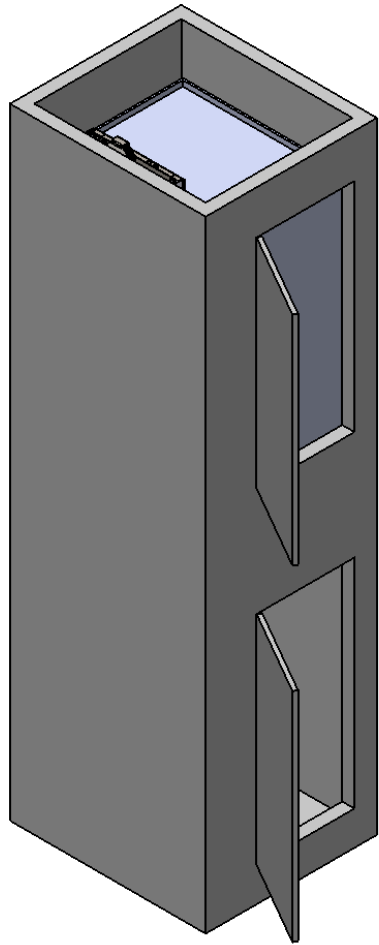
\*R1(Fx) 1075 lbs

\*R2(Fy) 358 lbs

R3(Fz) 2500 lbs

SIZE	 <b>Nationwide Lifts</b> <i>America's leader in home elevators.</i>
<b>A</b>	
PART NO.	<b>40 X 54, 1L</b>
SHEET 1 OF 3	
DESCRIPTION:	<b>SWING DOORS, HYDRO</b>





SIZE **A**  **Nationwide Lifts**  
America's *leader* in home elevators.

PART NO.  
40 X 54, 1L  
SHEET 3 OF 3  
DESCRIPTION:  
SWING DOORS, HYDRO