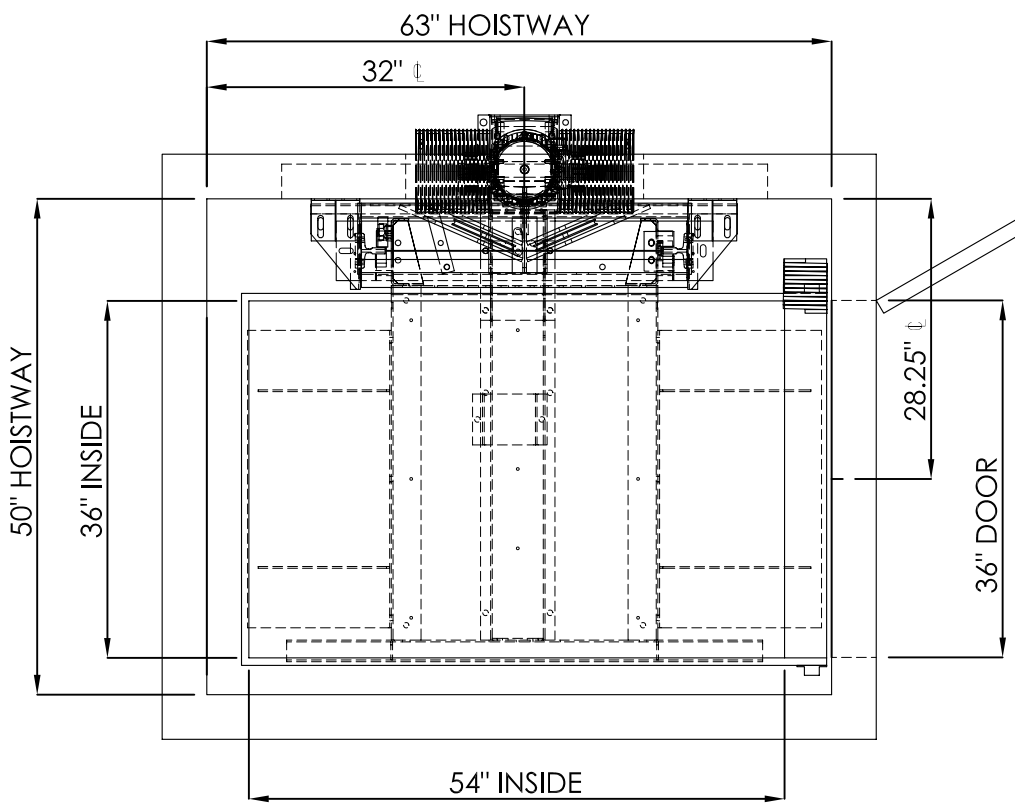
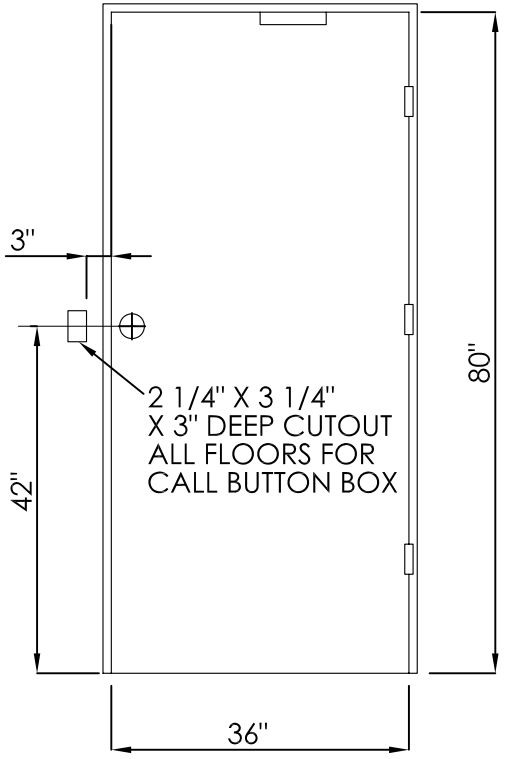
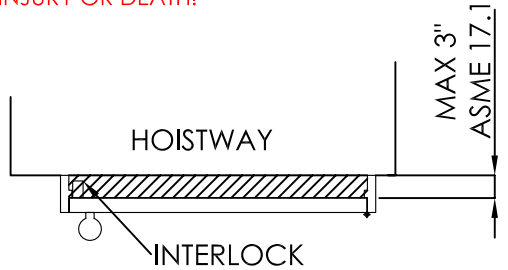
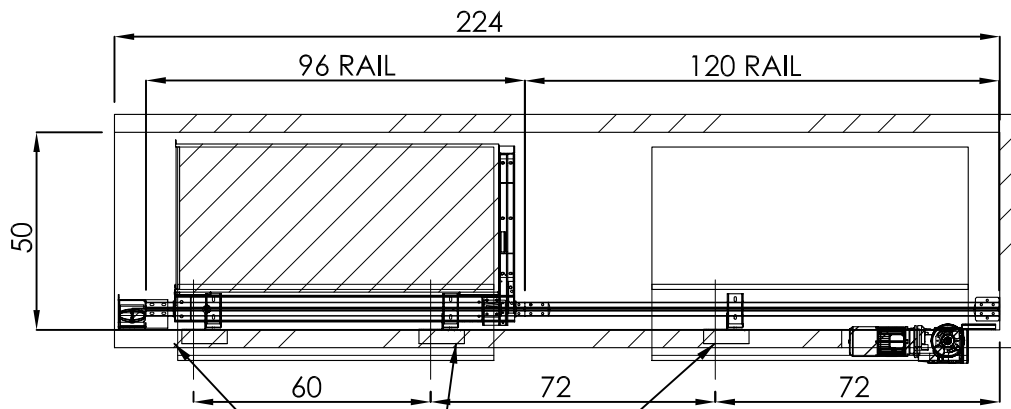


!WARNING!
 SPACE BETWEEN DOOR AND HOISTWAY
 MUST NOT EXCEED 3"!
 INTERLOCKS CONFORMING TO ASME A17.1
 MUST BE INSTALLED AND ADJUSTED PER
 THE MANUFACTURER'S INSTRUCTIONS.
**!FAILURE TO COMPLY
 MAY RESULT IN SERIOUS
 INJURY OR DEATH!**



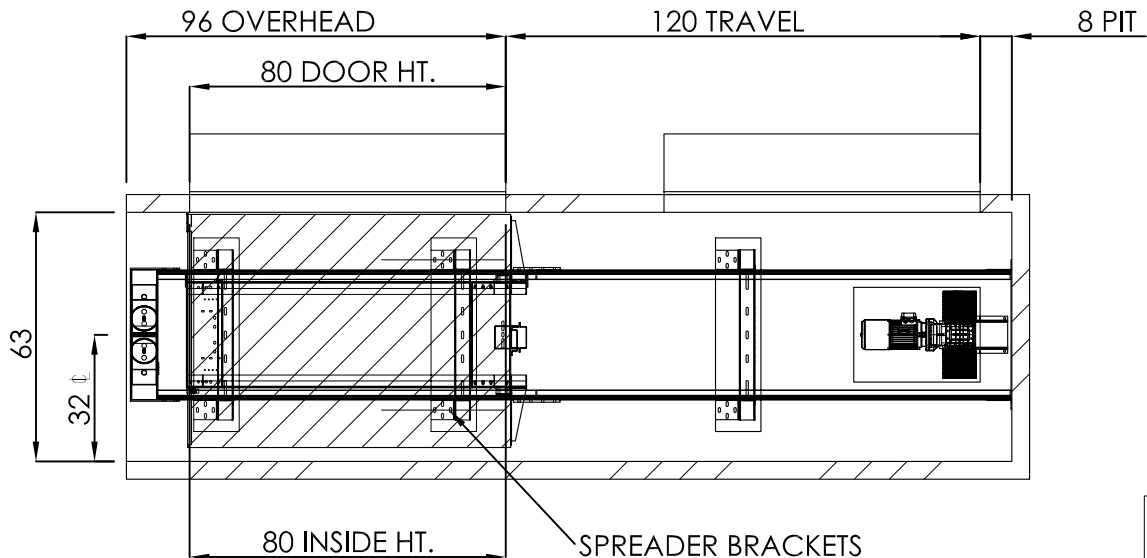
RAIL WEIGHT: 8 lbs/ft	
RAIL FORCES	
*R1 (Fx)	1075 lbs
*R2 (Fy)	358 lbs
R3 (Fz)	2500 lbs

SIZE	 www.elevators.com P: 888-695-4387 E: info@elevators.com	
A		
PART NO.		
36 X 54, 1R		
SHEET 1 OF 3		
DESCRIPTION:		
SWING DOORS, BASEMENT DRUM		




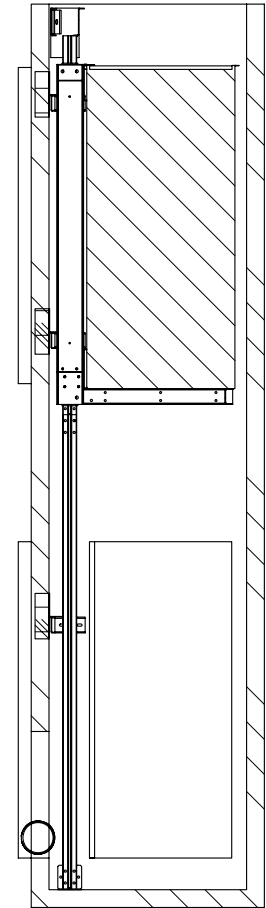
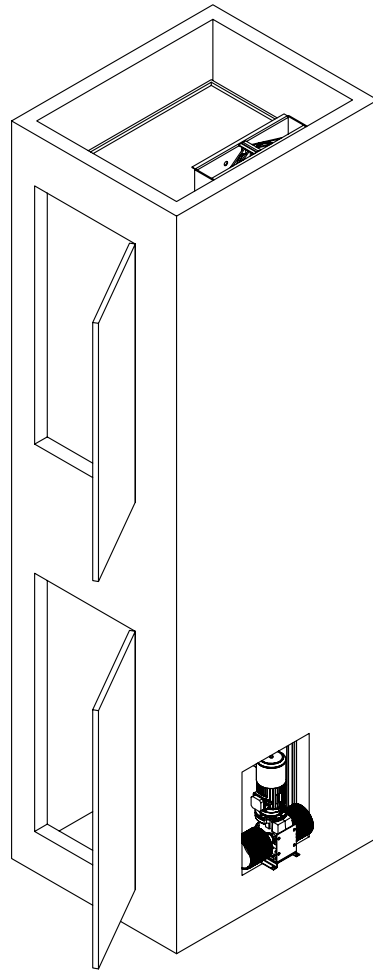
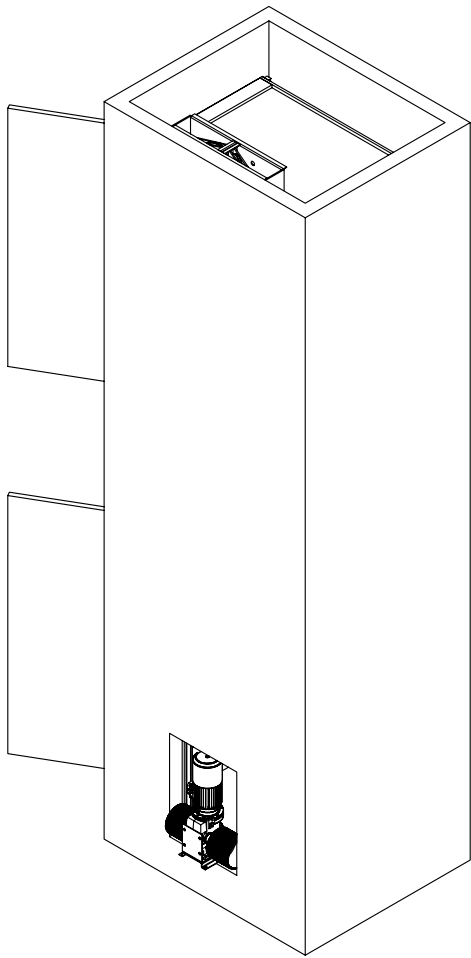
PROVIDE WALL CONSTRUCTION
SUITABLE FOR ATTACHMENT OF
RAIL BRACKETS AT SHOWN ELEVATION.
MUST BE CAPABLE OF 300LB PULLOUT
LOADING WITH MAX DEFLECTION OF 1/8".


BRACKET LOCATIONS MAY VARY
ACORDING TO TRAVEL



SPREADER BRACKETS
FASTEN WITH LAG SCREWS
2 PLACES PER SIDE BRACKET

SIZE	 www.elevators.com P: 888-695-4387 E: info@elevators.com
A	
PART NO.	
36 X 54, 1R	
SHEET 2 OF 3	
DESCRIPTION:	
SWING DOORS, BASEMENT DRUM	



SIZE	 www.elevators.com P: 888-695-4387 E: info@elevators.com
A	
PART NO.	36 X 54, 1R
	SHEET 3 OF 3
DESCRIPTION:	SWING DOORS, BASEMENT DRUM

5



4

3

2

1