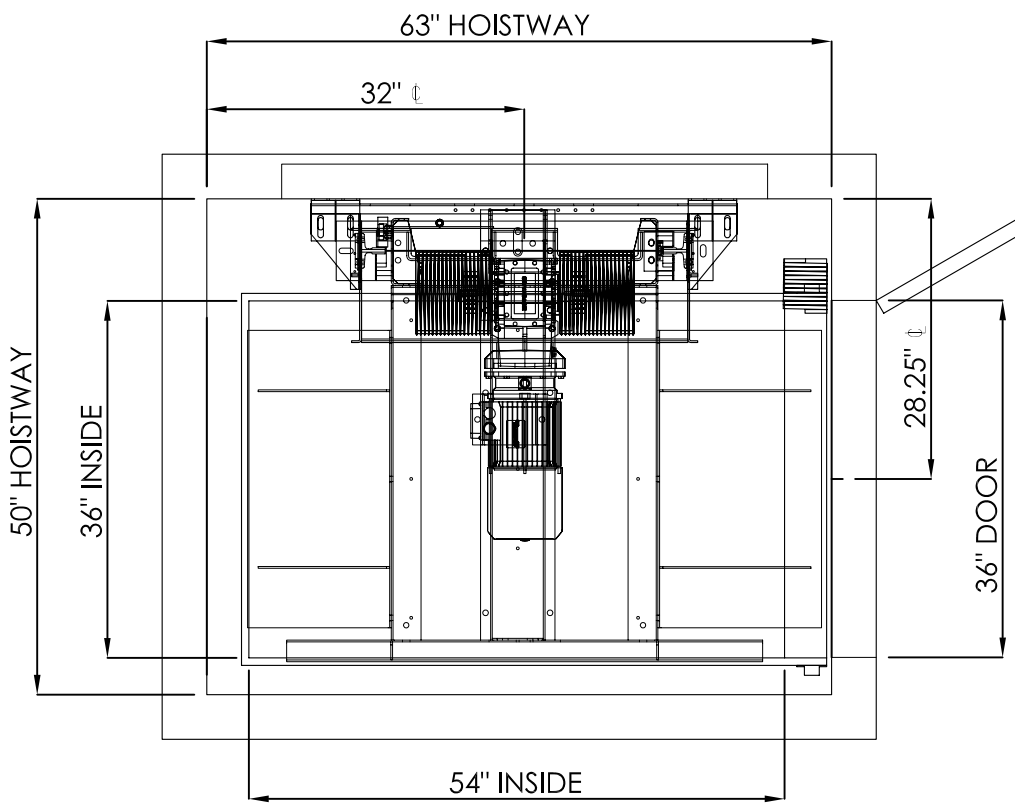
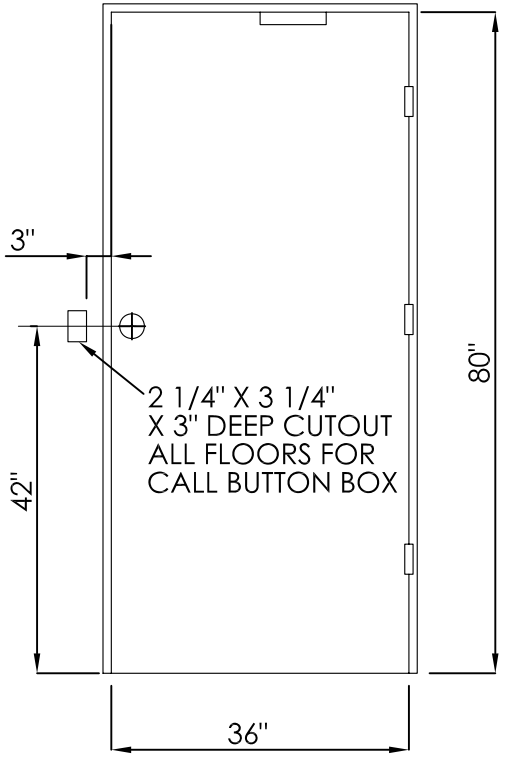
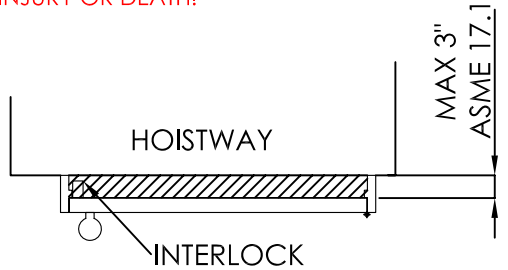
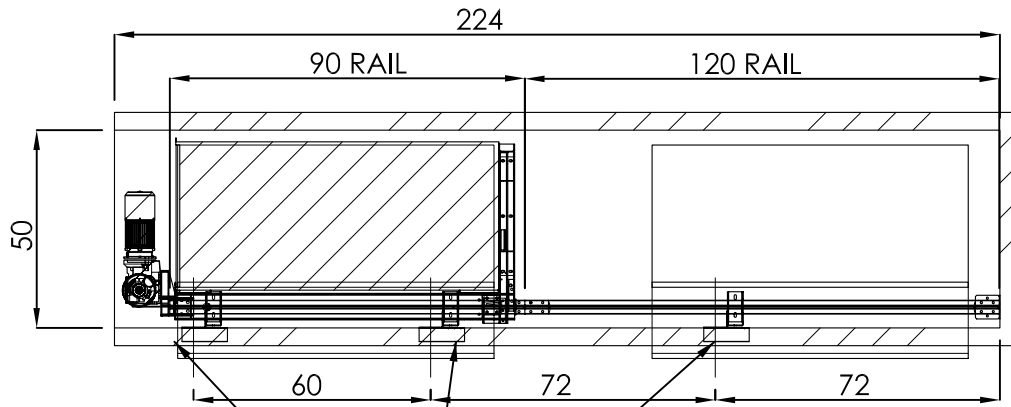


!WARNING!
 SPACE BETWEEN DOOR AND HOISTWAY
 MUST NOT EXCEED 3"!
 INTERLOCKS CONFORMING TO ASME A17.1
 MUST BE INSTALLED AND ADJUSTED PER
 THE MANUFACTURER'S INSTRUCTIONS.
**!FAILURE TO COMPLY
 MAY RESULT IN SERIOUS
 INJURY OR DEATH!**



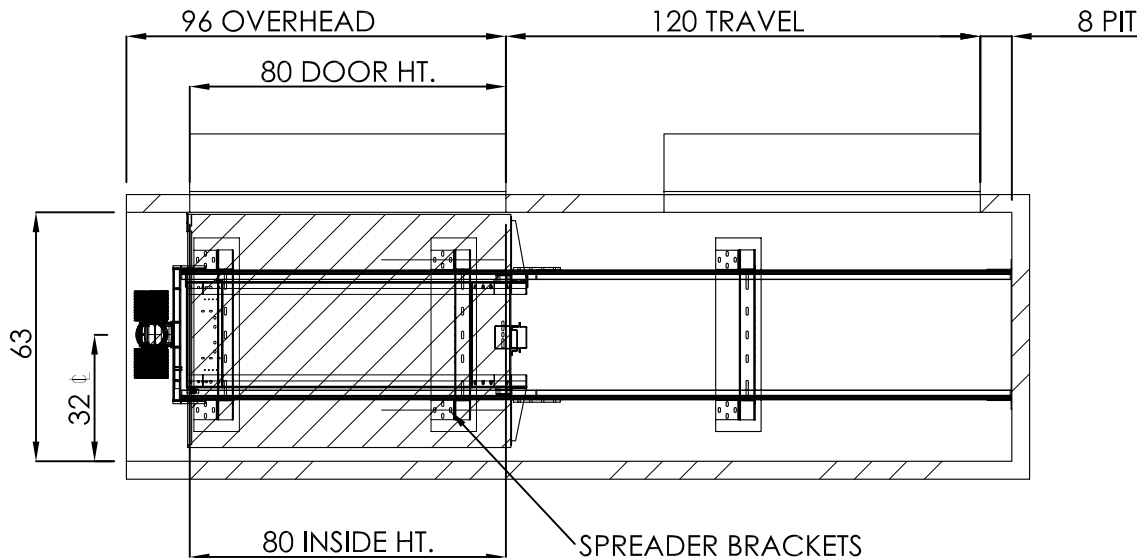
| | |
|-----------------------|----------|
| RAIL WEIGHT: 8 lbs/ft | |
| RAIL FORCES | |
| *R1 (Fx) | 1075 lbs |
| *R2 (Fy) | 358 lbs |
| R3 (Fz) | 2500 lbs |

| | | |
|----------------------------|--|--|
| SIZE | www.elevators.com | |
| A | | |
| PART NO. | | |
| 36 X 54, 1R | | |
| SHEET 1 OF 3 | | |
| DESCRIPTION: | | |
| SWING DOORS, OVERHEAD DRUM | | |




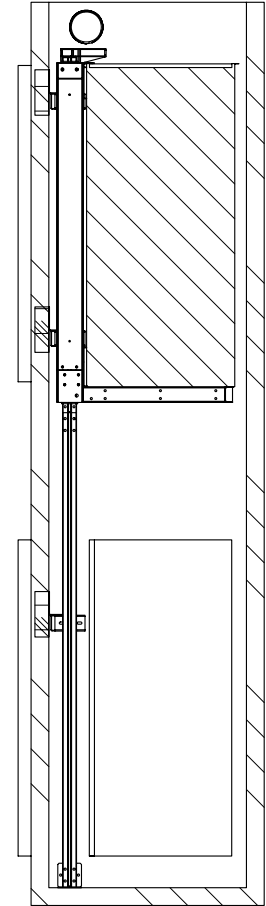
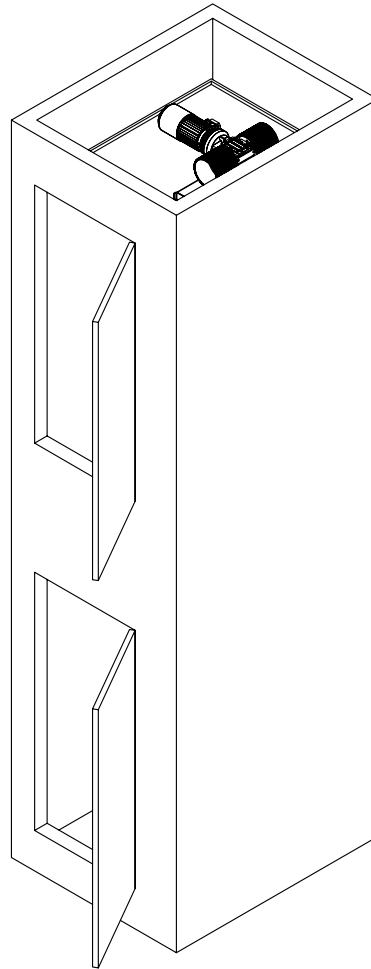
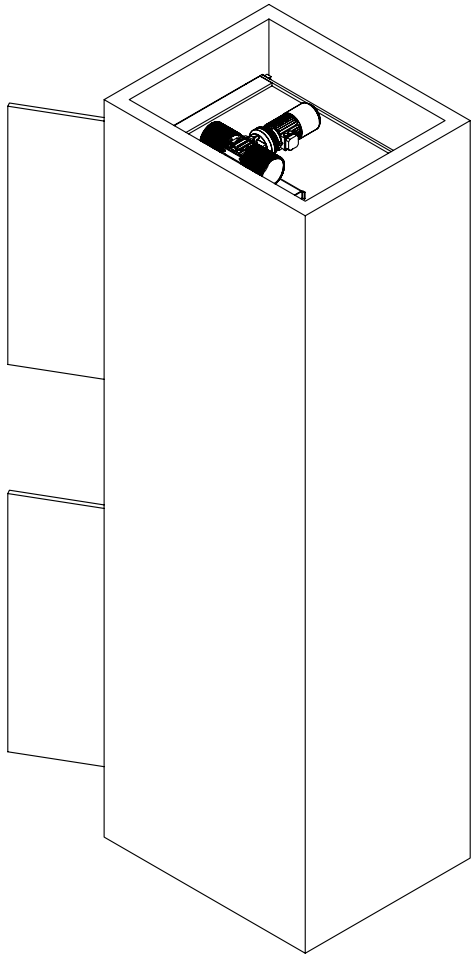
PROVIDE WALL CONSTRUCTION
SUITABLE FOR ATTACHMENT OF
RAIL BRACKETS AT SHOWN ELEVATION.
MUST BE CAPABLE OF 300LB PULLOUT
LOADING WITH MAX DEFLECTION OF 1/8".


BRACKET LOCATIONS MAY VARY
ACORDING TO TRAVEL



SPREADER BRACKETS
FASTEN WITH LAG SCREWS
2 PLACES PER SIDE BRACKET

| | |
|--------------|--|
| SIZE |  www.elevators.com P: 888-695-4387 E: info@elevators.com |
| A | |
| PART NO. | 36 X 54, 1R |
| SHEET 2 OF 3 | |
| DESCRIPTION: | SWING DOORS, OVERHEAD DRUM |



| | |
|--|---|
| SIZE |  Nationwide Lifts www.elevators.com |
| A | |
| PART NO. | P: 888-695-4387 E: info@elevators.com |
| 36 X 54, 1R | |
| SHEET 3 OF 3 | |
| DESCRIPTION: SWING DOORS, OVERHEAD DRUM | |