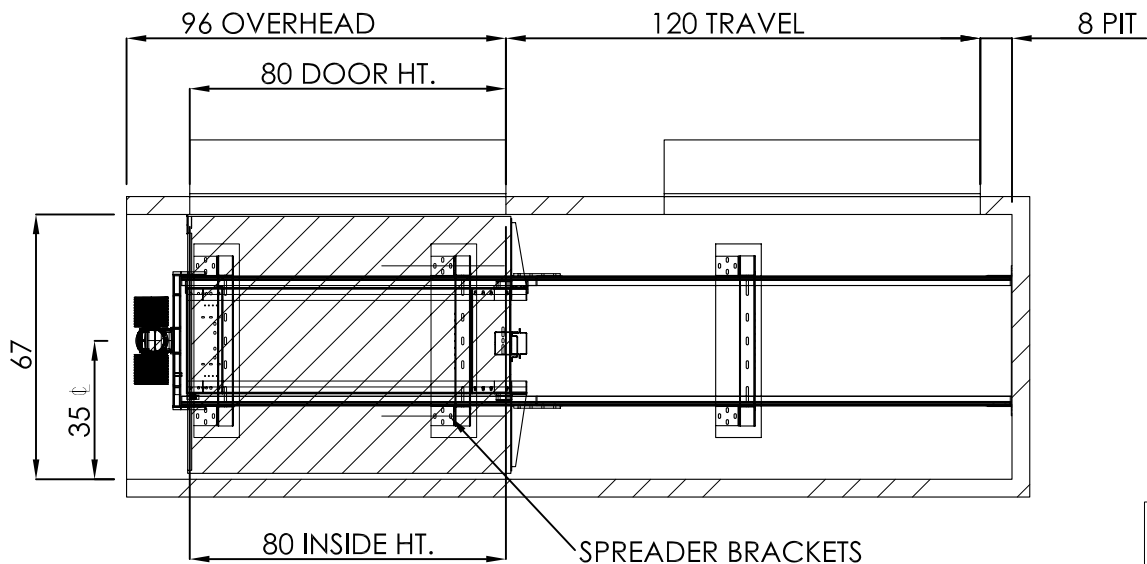


BRACKET LOCATIONS MAY VARY
ACORDING TO TRAVEL

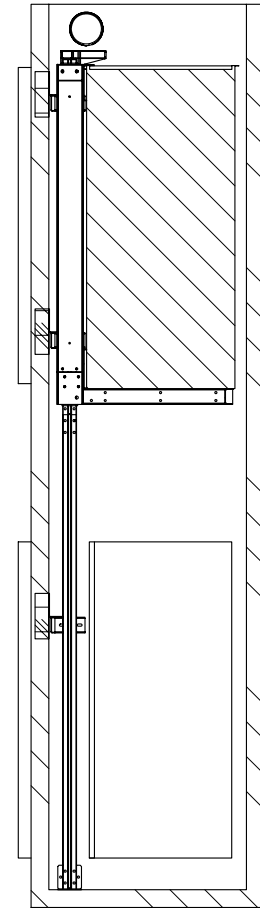
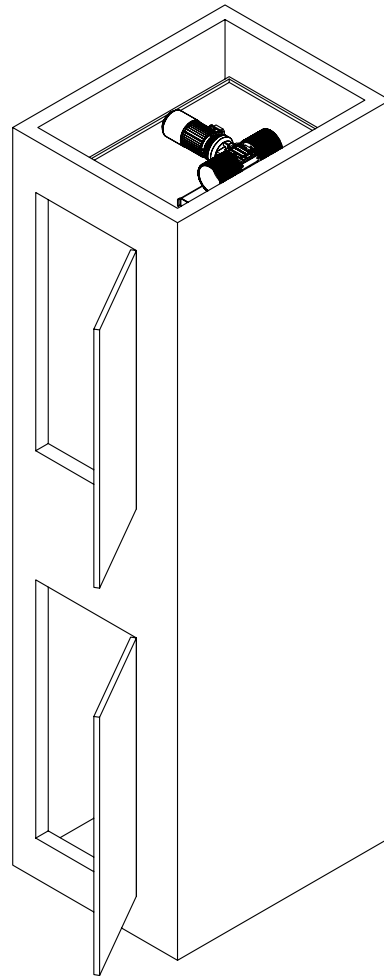
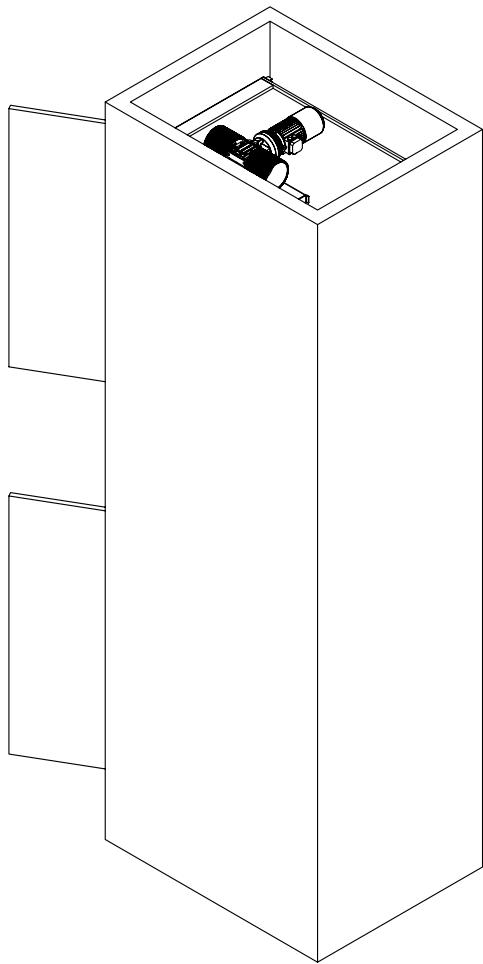
PROVIDE WALL CONSTRUCTION
SUITABLE FOR ATTACHMENT OF
RAIL BRACKETS AT SHOWN ELEVATION.
MUST BE CAPABLE OF 300LB PULLOUT
LOADING WITH MAX DEFLECTION OF 1/8".




SPREADER BRACKETS
FASTEN WITH LAG SCREWS
2 PLACES PER SIDE BRACKET

SIZE	 www.elevators.com P: 888-695-4387 E: info@elevators.com
A	

PART NO.	36 X 60, 1R SHEET 2 OF 3 DESCRIPTION: SWING DOORS, OVERHEAD DRUM	
5		
4		



SIZE	 Nationwide Lifts www.elevators.com
A	
PART NO.	
36 X 60, 1R	
SHEET 3 OF 3	
DESCRIPTION:	
SWING DOORS, OVERHEAD DRUM	