

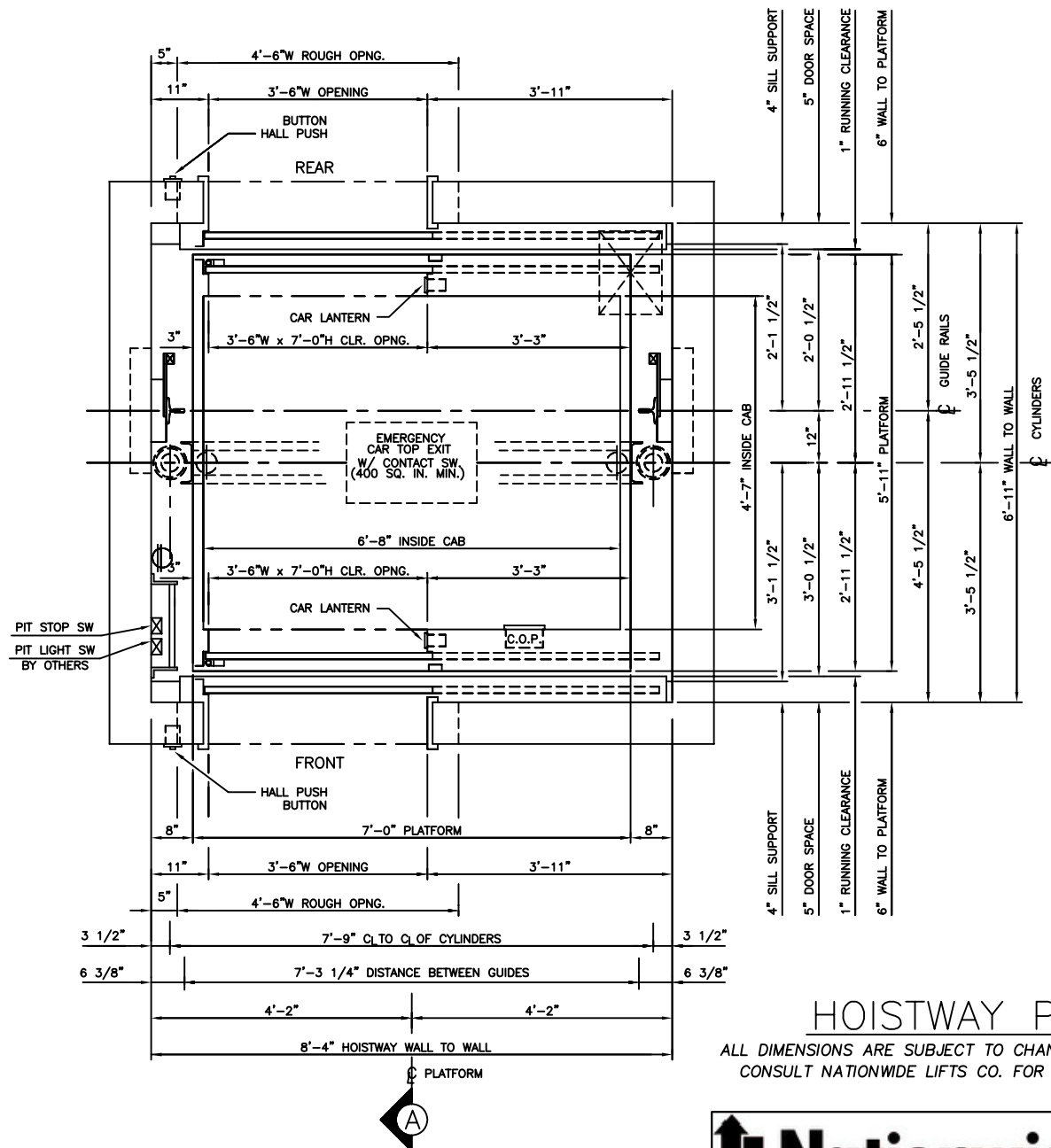
NOTE: HOISTWAY WIDTH AND DISTANCE FROM PLATFORM TO HOISTWAY WALL WILL VARY BASED ON SIZE OF JACK, TRAVEL, AND CAPACITY. CONSULT DEI ENGINEERING.

*3000 LBS. 2 STAGE HOLELESS HYDRAULIC
FRONT & REAR RIGHT OPENING*

HOISTWAY PLAN
ALL DIMENSIONS ARE SUBJECT TO CHANGE WITHOUT NOTICE.
CONSULT NATIONWIDE LIFTS CO. FOR CONFIRMATION.



P: 888-695-4387, E: info@elevators.com



NOTE: HOISTWAY WIDTH AND DISTANCE FROM PLATFORM TO HOISTWAY WALL WILL VARY BASED ON SIZE OF JACK, TRAVEL, AND CAPACITY. CONSULT DEI ENGINEERING.

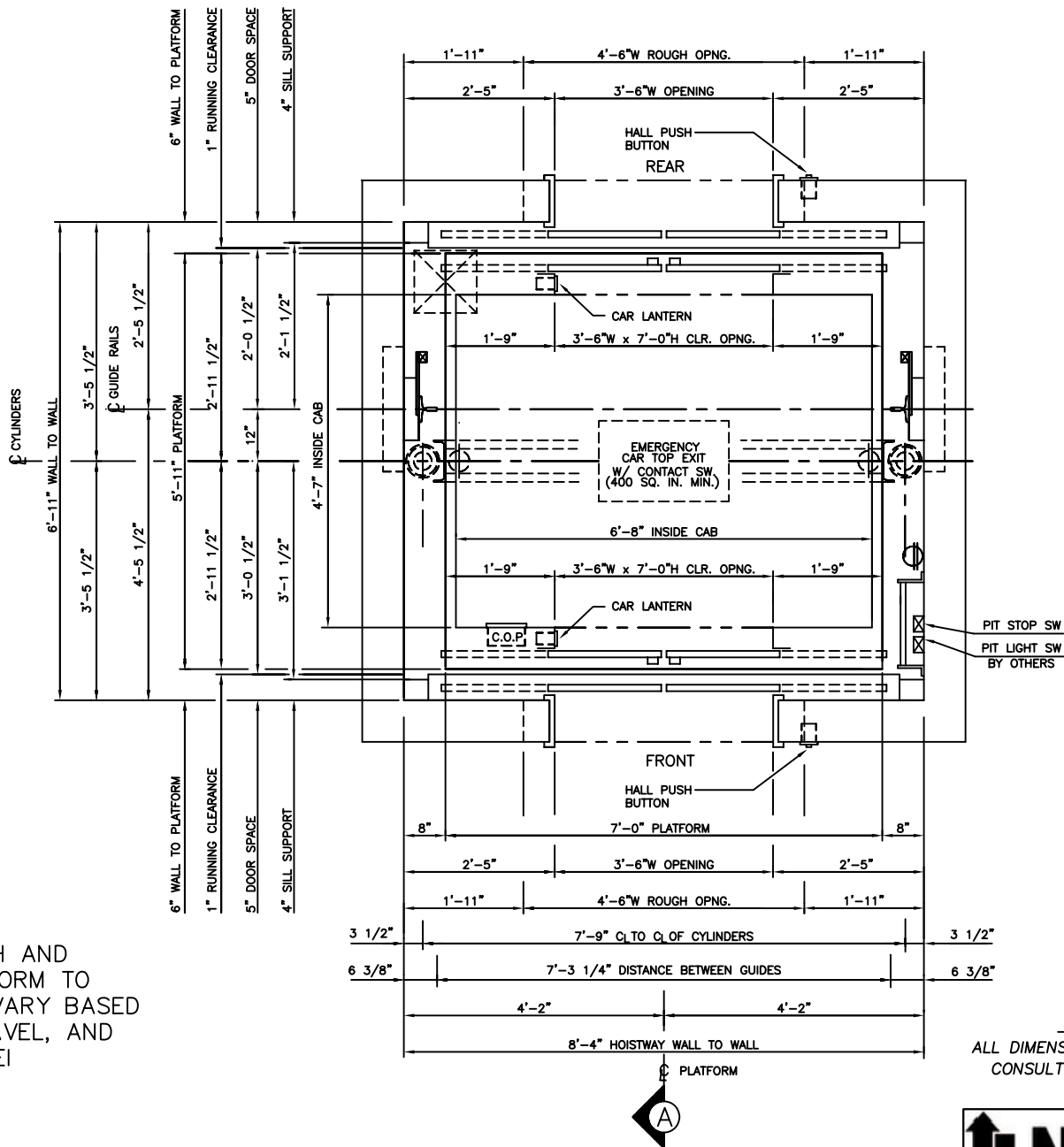
HOISTWAY PLAN

ALL DIMENSIONS ARE SUBJECT TO CHANGE WITHOUT NOTICE. CONSULT NATIONWIDE LIFTS CO. FOR CONFIRMATION.

*3000 LBS. 2 STAGE HOLELESS HYDRAULIC
FRONT & REAR LEFT OPENING*



P: 888-695-4387, E: info@elevators.com



NOTE: HOISTWAY WIDTH AND DISTANCE FROM PLATFORM TO HOISTWAY WALL WILL VARY BASED ON SIZE OF JACK, TRAVEL, AND CAPACITY. CONSULT DEI ENGINEERING.

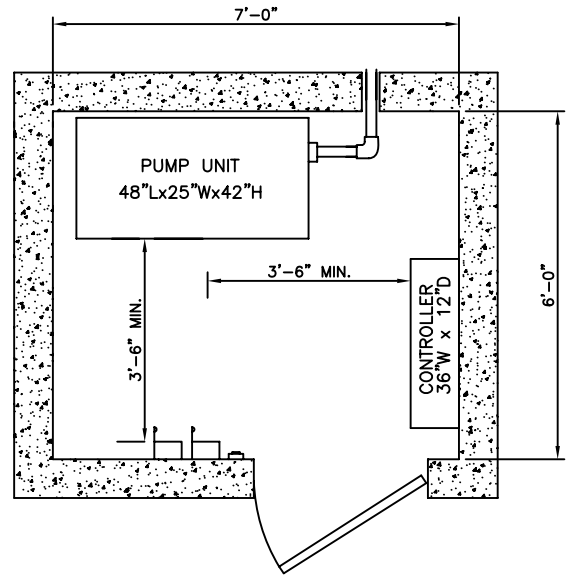
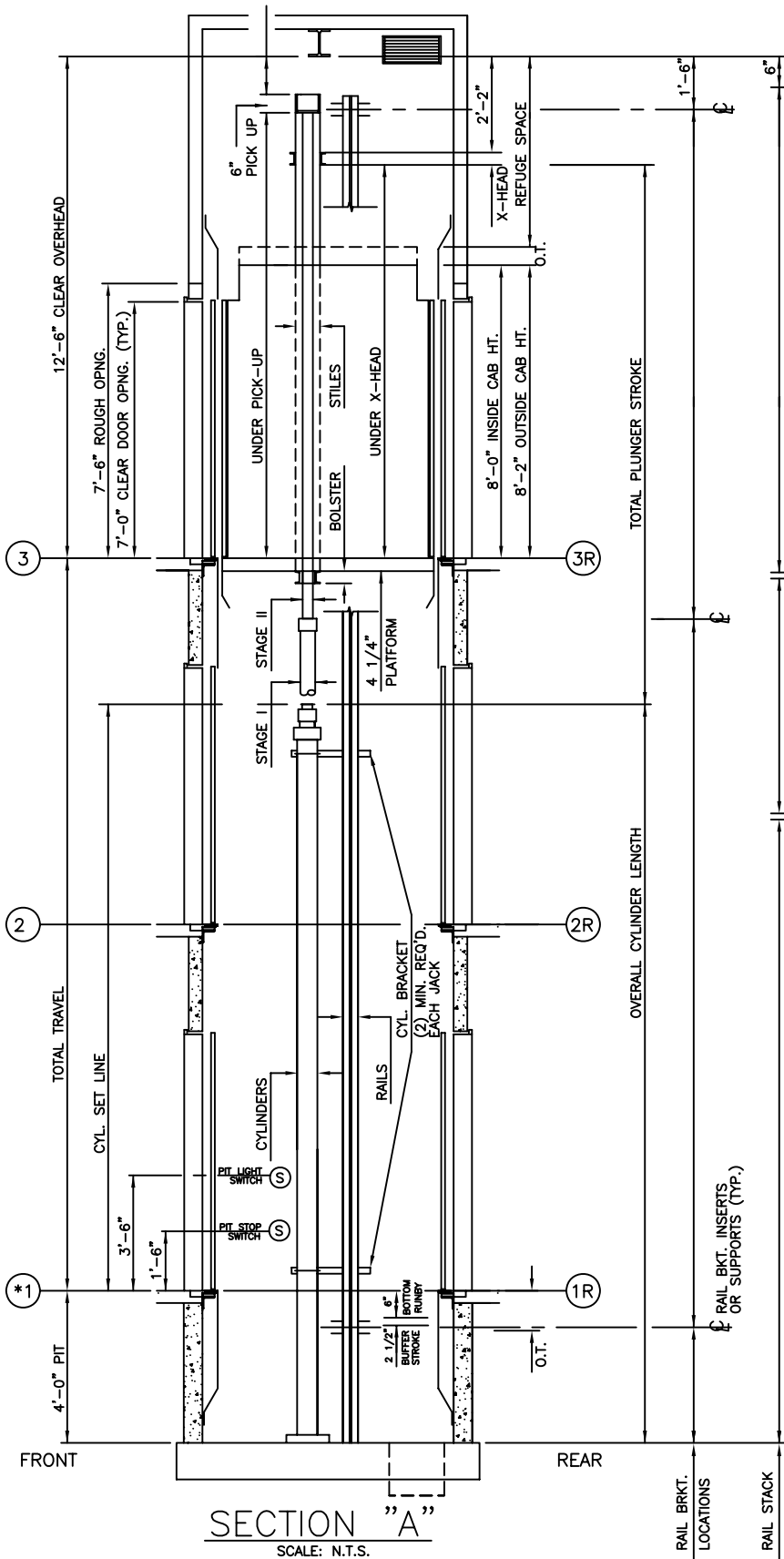
*3000 LBS. 2 STAGE HOLELESS HYDRAULIC
FRONT & REAR CENTER OPENING*

HOISTWAY PLAN
ALL DIMENSIONS ARE SUBJECT TO CHANGE WITHOUT NOTICE.
CONSULT NATIONWIDE LIFTS CO. FOR CONFIRMATION.



P: 888-695-4387, E: info@elevators.com

3000 LBS. 2 STAGE HOLELESS HYDRAULIC FRONT & REAR OPENING



MACHINE ROOM DETAIL

ELEVATION PLAN

Nationwide Lifts
www.elevators.com

P: 888-695-4387, E: info@elevators.com