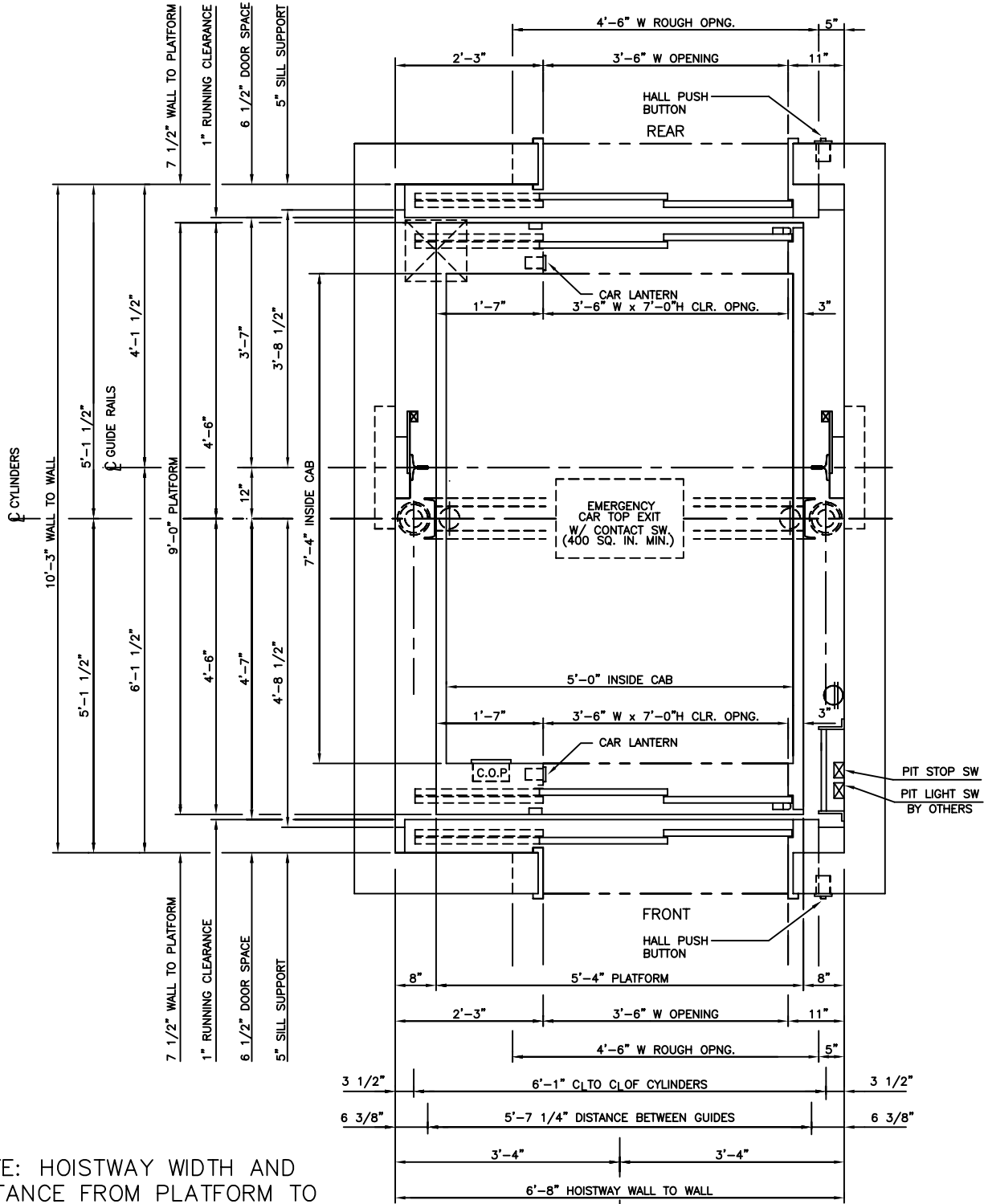


3500 LBS. HOSPITAL 2 STAGE HOLELESS HYDRAULIC FRONT & REAR RIGHT OPENING



NOTE: HOISTWAY WIDTH AND DISTANCE FROM PLATFORM TO HOISTWAY WALL WILL VARY BASED ON SIZE OF JACK, TRAVEL, AND CAPACITY. CONSULT DEI ENGINEERING.

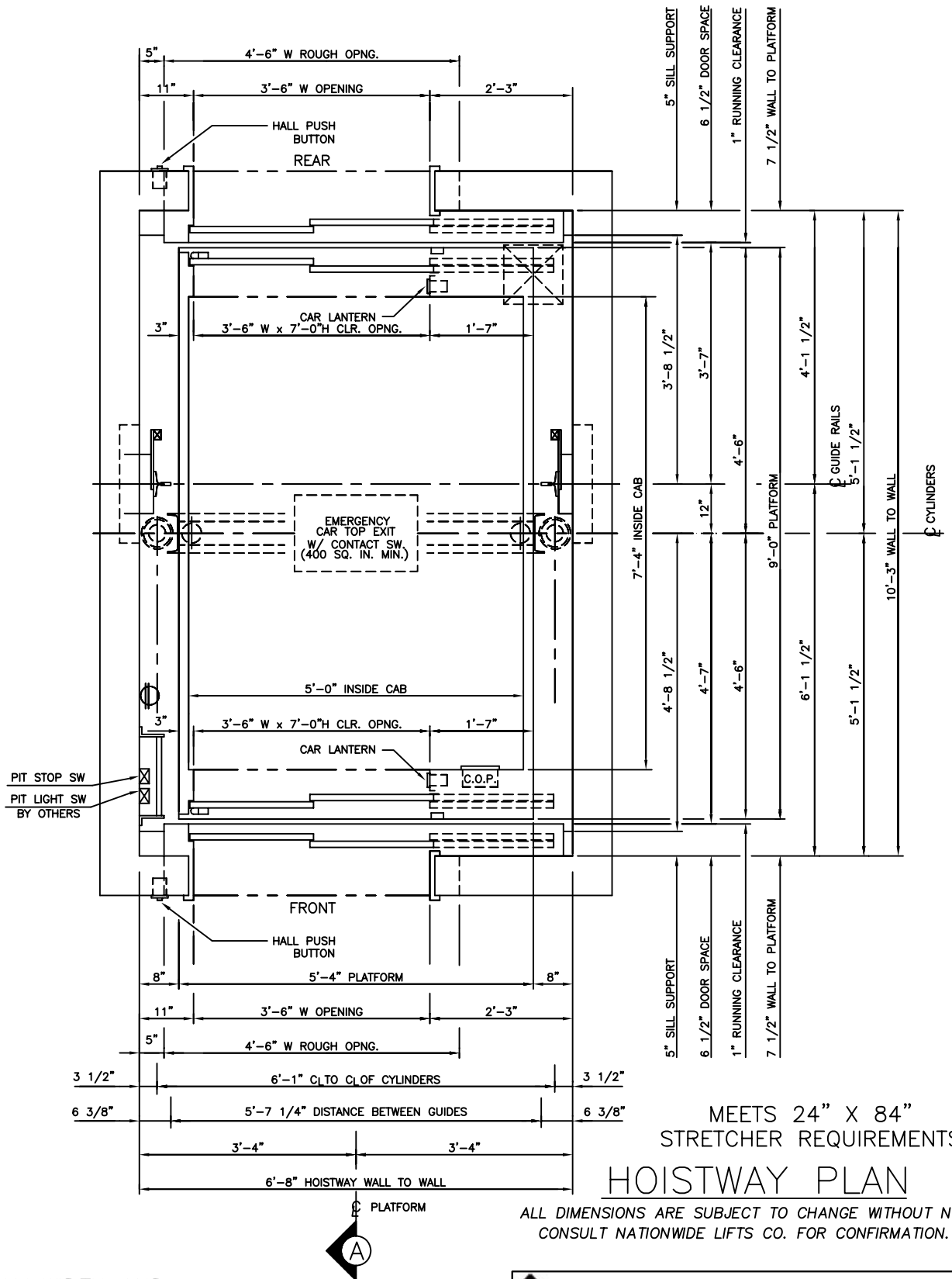
HOISTWAY PLAN
 ALL DIMENSIONS ARE SUBJECT TO CHANGE WITHOUT NOTICE.
 CONSULT NATIONWIDE LIFTS CO. FOR CONFIRMATION.

MEETS 24" X 84"
 STRETCHER REQUIREMENTS



P: 888-695-4387, E: info@elevators.com

3500 LBS. HOSPITAL 2 STAGE HOLELESS HYDRAULIC FRONT & REAR LEFT OPENING



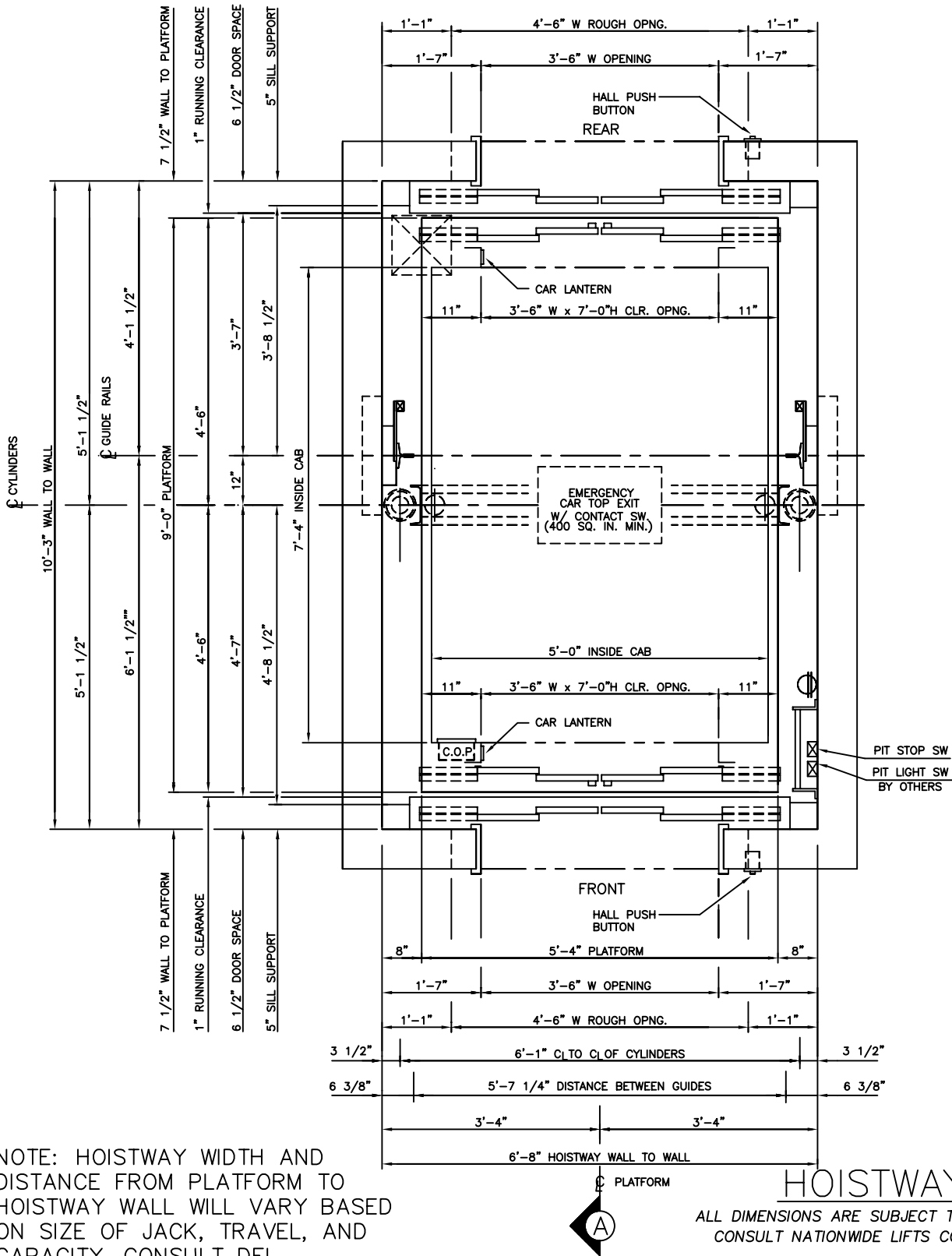
NOTE: HOISTWAY WIDTH AND DISTANCE FROM PLATFORM TO HOISTWAY WALL WILL VARY BASED ON SIZE OF JACK, TRAVEL, AND CAPACITY. CONSULT DEI ENGINEERING.

MEETS 24" X 84"
STRETCHER REQUIREMENTS
HOISTWAY PLAN
ALL DIMENSIONS ARE SUBJECT TO CHANGE WITHOUT NOTICE.
CONSULT NATIONWIDE LIFTS CO. FOR CONFIRMATION.



P: 888-695-4387, E: info@elevators.com

3500 LBS. HOSPITAL 2 STAGE HOLELESS HYDRAULIC FRONT & REAR CENTER OPENING



NOTE: HOISTWAY WIDTH AND DISTANCE FROM PLATFORM TO HOISTWAY WALL WILL VARY BASED ON SIZE OF JACK, TRAVEL, AND CAPACITY. CONSULT DEI ENGINEERING.

MEETS 24" X 84"
STRETCHER REQUIREMENTS

HOISTWAY PLAN

ALL DIMENSIONS ARE SUBJECT TO CHANGE WITHOUT NOTICE.
CONSULT NATIONWIDE LIFTS CO. FOR CONFIRMATION.



P: 888-695-4387, E: info@elevators.com

