

MEETS 24" X 84"  
STRETCHER REQUIREMENTS

NOTE: HOISTWAY WIDTH AND DISTANCE FROM PLATFORM TO HOISTWAY WALL WILL VARY BASED ON SIZE OF JACK, TRAVEL, AND CAPACITY. CONSULT DEI ENGINEERING.

### HOISTWAY PLAN

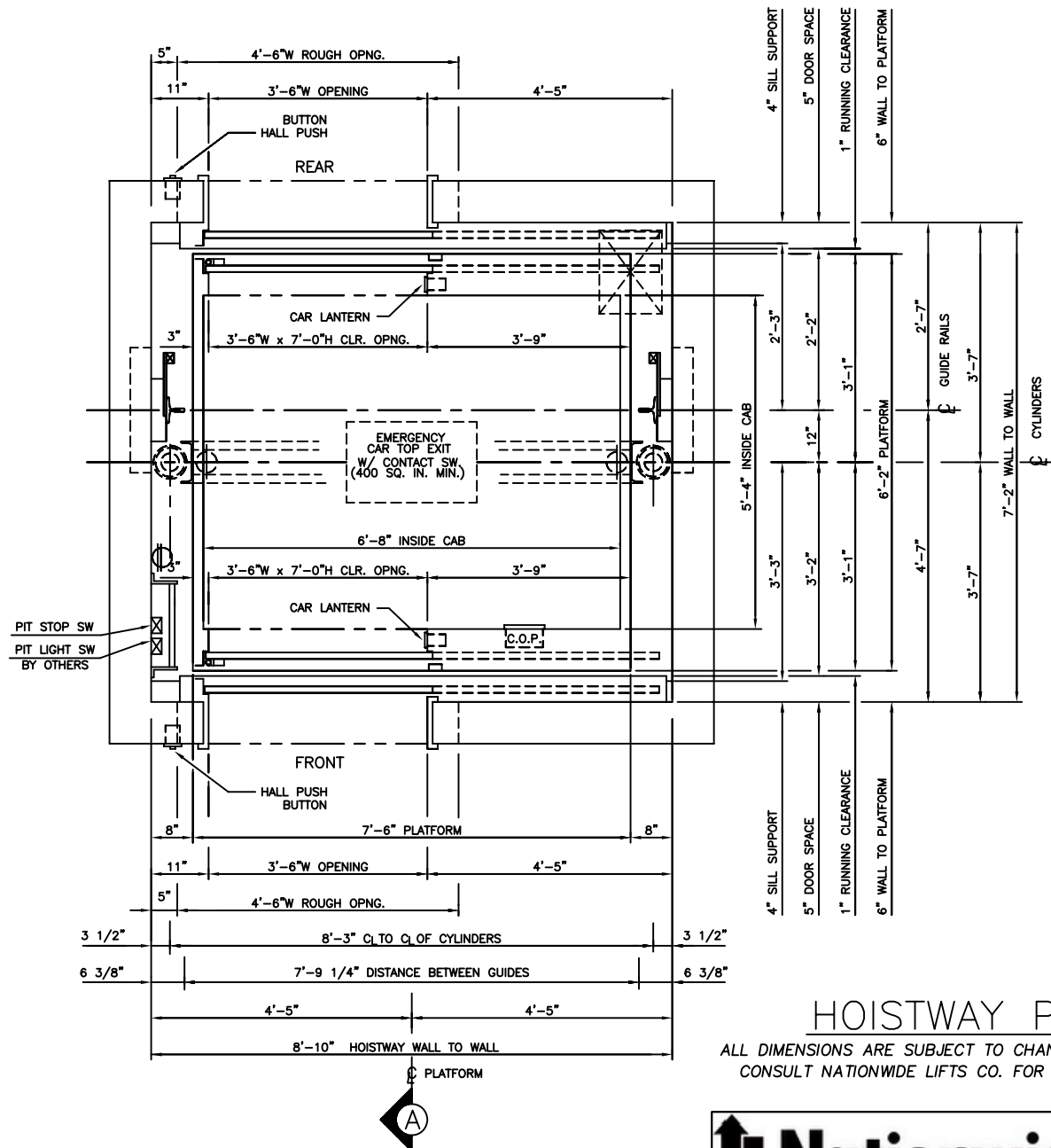
ALL DIMENSIONS ARE SUBJECT TO CHANGE WITHOUT NOTICE. CONSULT NATIONWIDE LIFTS CO. FOR CONFIRMATION.

*3500 LBS. STRETCHER 2 STAGE HOLELESS HYDRAULIC  
FRONT & REAR RIGHT OPENING*



P: 888-695-4387, E: info@elevators.com

MEETS 24" X 84"  
STRETCHER REQUIREMENTS



NOTE: HOISTWAY WIDTH AND DISTANCE FROM PLATFORM TO HOISTWAY WALL WILL VARY BASED ON SIZE OF JACK, TRAVEL, AND CAPACITY. CONSULT DEI ENGINEERING.

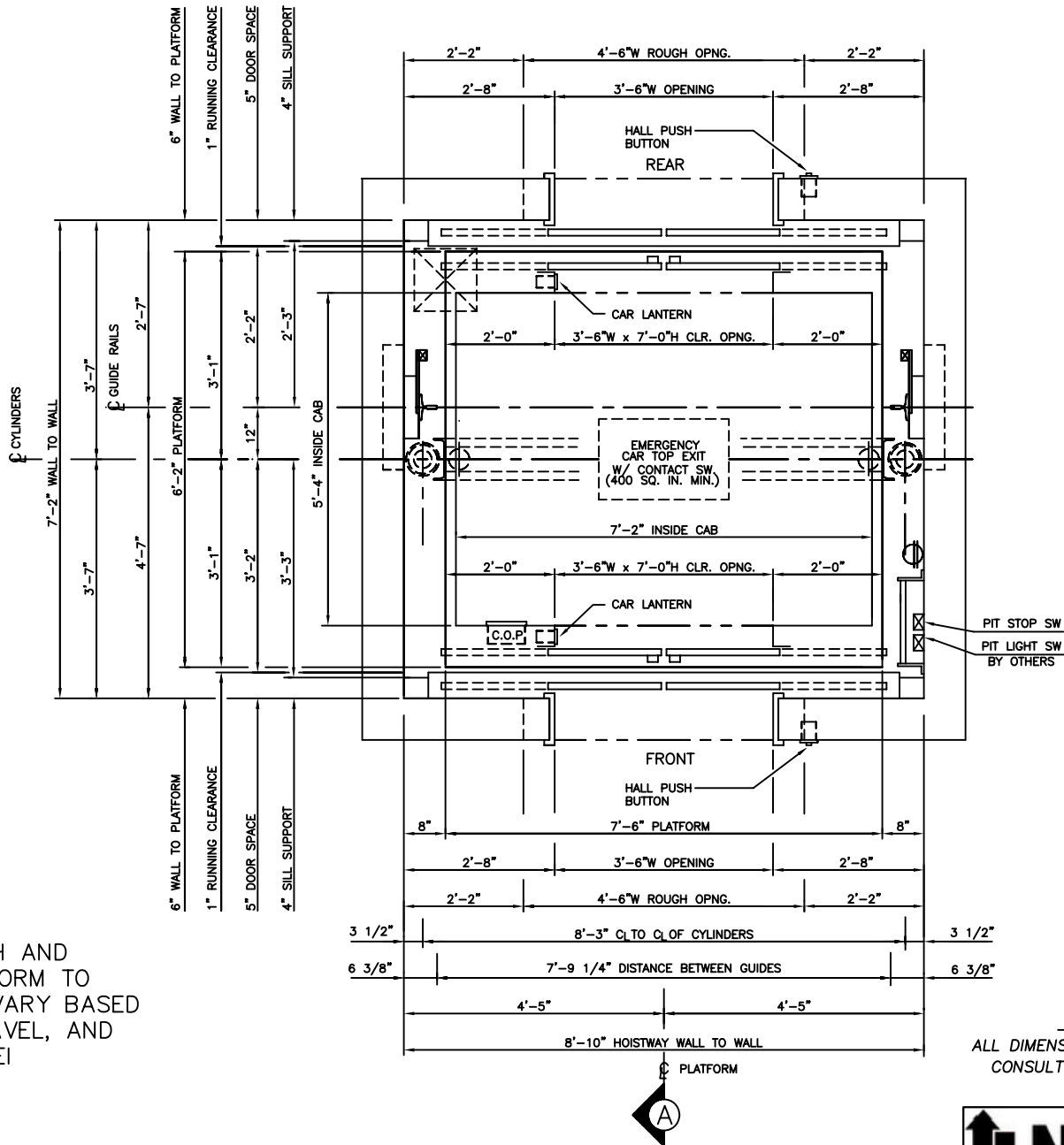
### HOISTWAY PLAN

ALL DIMENSIONS ARE SUBJECT TO CHANGE WITHOUT NOTICE. CONSULT NATIONWIDE LIFTS CO. FOR CONFIRMATION.

*3500 LBS. STRETCHER 2 STAGE HOLELESS HYDRAULIC  
FRONT & REAR LEFT OPENING*



P: 888-695-4387, E: info@elevators.com



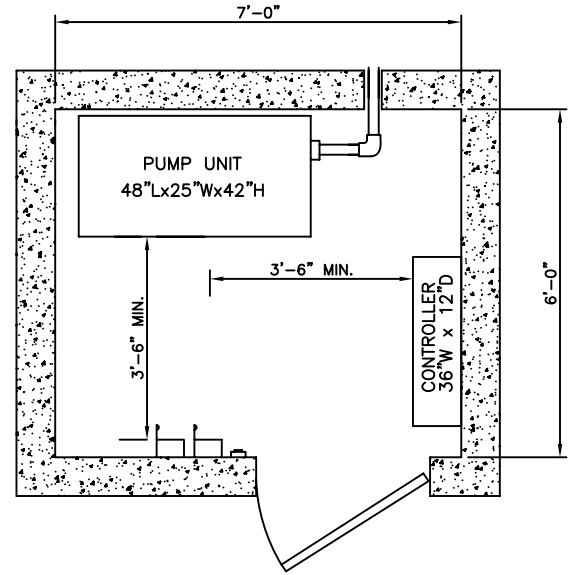
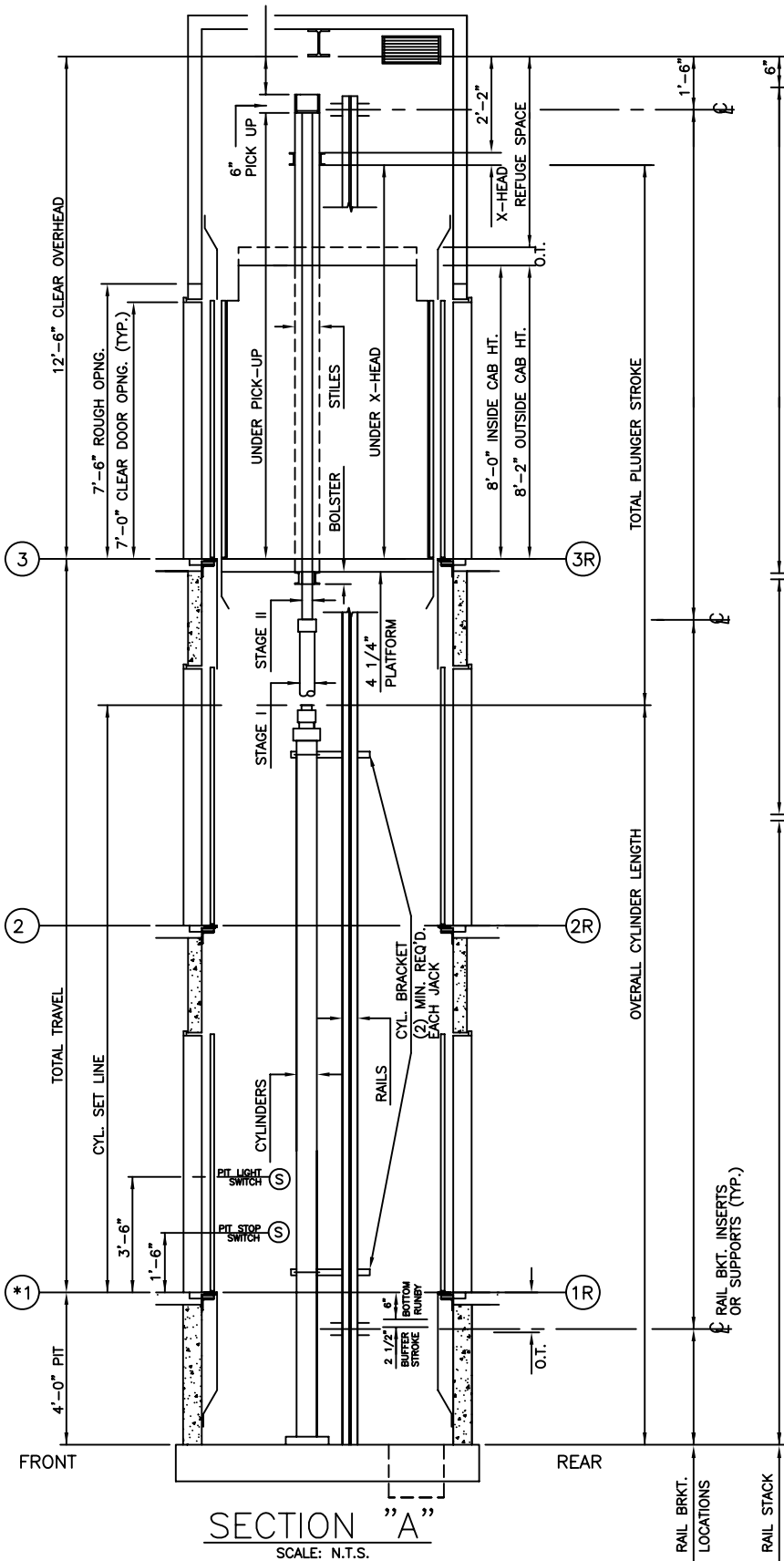
NOTE: HOISTWAY WIDTH AND DISTANCE FROM PLATFORM TO HOISTWAY WALL WILL VARY BASED ON SIZE OF JACK, TRAVEL, AND CAPACITY. CONSULT DEI ENGINEERING.

**HOISTWAY PLAN**  
 ALL DIMENSIONS ARE SUBJECT TO CHANGE WITHOUT NOTICE.  
 CONSULT NATIONWIDE LIFTS CO. FOR CONFIRMATION.

*3500 LBS. STRETCHER 2 STAGE HOLELESS HYDRAULIC  
 FRONT & REAR CENTER OPENING*

**Nationwide Lifts**  
[www.elevators.com](http://www.elevators.com)  
 P: 888-695-4387, E: info@elevators.com

# 3500 LBS. STRETCHER 2 STAGE HOLELESS HYDRAULIC FRONT & REAR OPENING



MACHINE ROOM DETAIL

ELEVATION PLAN



P: 888-695-4387, E: info@elevators.com