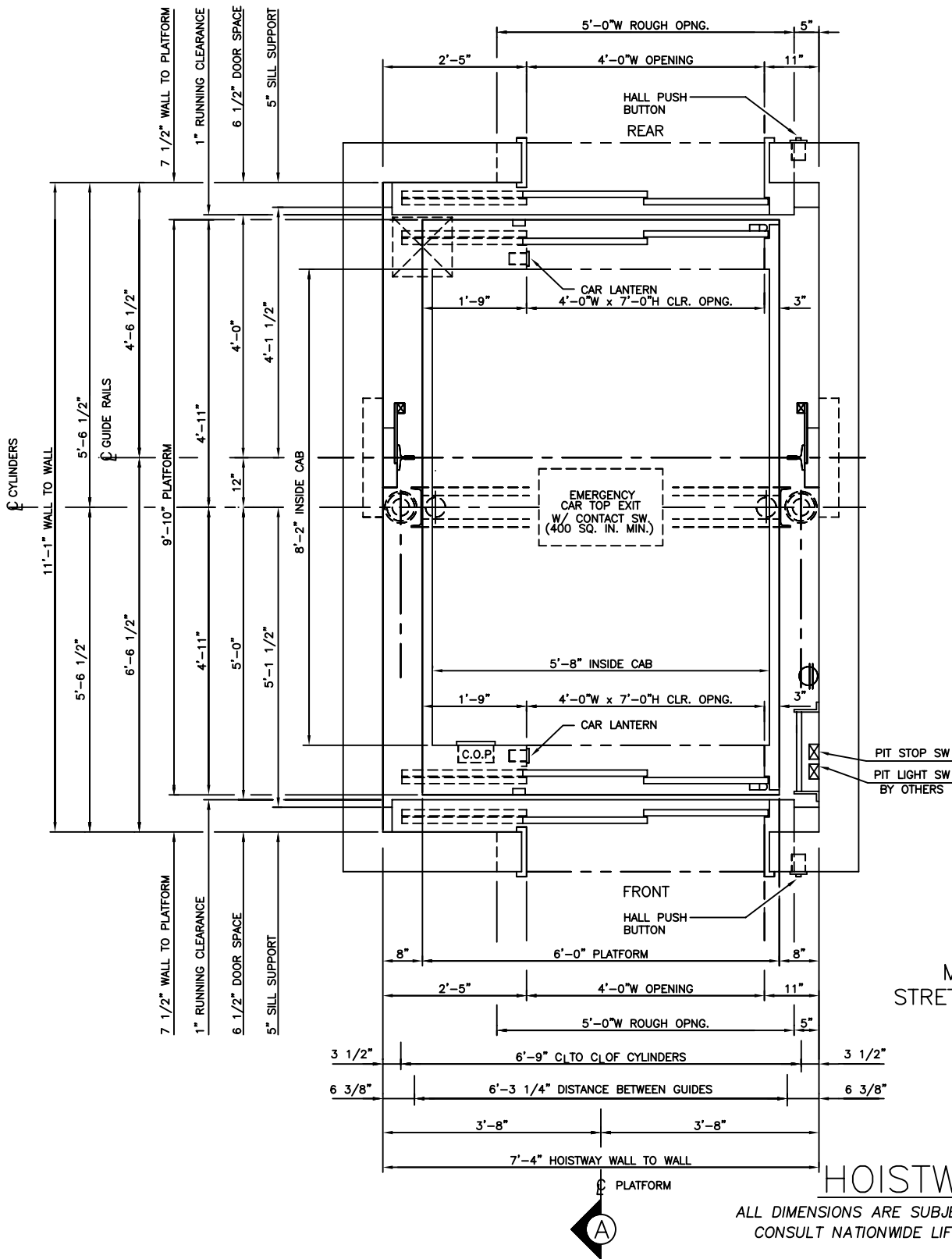


4500 LBS. HOSPITAL 2 STAGE HOLELESS HYDRAULIC FRONT & REAR RIGHT OPENING



MEETS 24" X 84"
STRETCHER REQUIREMENTS

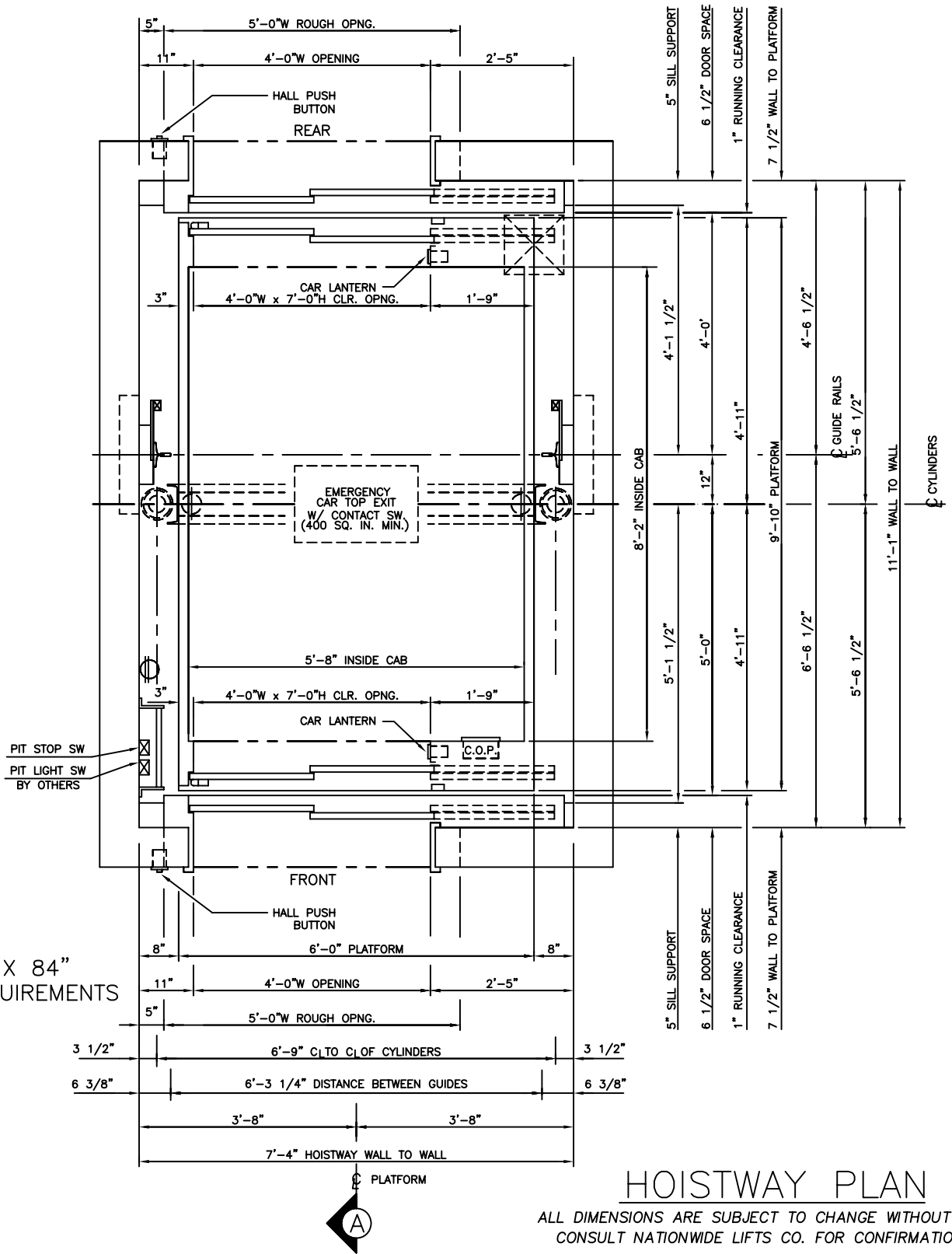
NOTE: HOISTWAY WIDTH AND DISTANCE FROM PLATFORM TO HOISTWAY WALL WILL VARY BASED ON SIZE OF JACK, TRAVEL, AND CAPACITY. CONSULT DEI ENGINEERING.

Nationwide Lifts

www.elevators.com

P: 888-695-4387, E: info@elevators.com

4500 LBS. HOSPITAL 2 STAGE HOLELESS HYDRAULIC FRONT & REAR LEFT OPENING



MEETS 24" X 84"
STRETCHER REQUIREMENTS

HOISTWAY PLAN

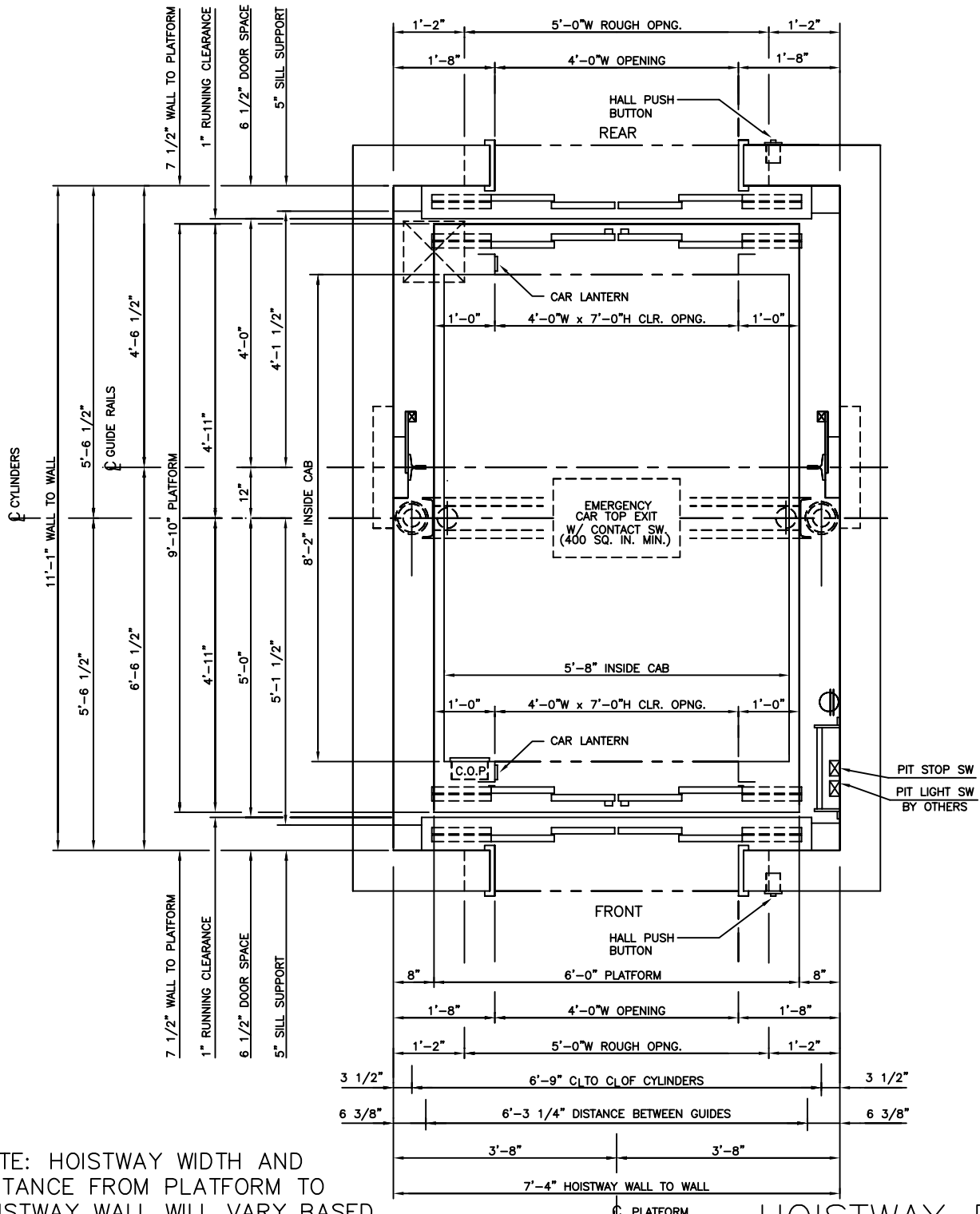
ALL DIMENSIONS ARE SUBJECT TO CHANGE WITHOUT NOTICE.
CONSULT NATIONWIDE LIFTS CO. FOR CONFIRMATION.

NOTE: HOISTWAY WIDTH AND DISTANCE FROM PLATFORM TO HOISTWAY WALL WILL VARY BASED ON SIZE OF JACK, TRAVEL, AND CAPACITY. CONSULT DEI ENGINEERING.



P: 888-695-4387, E: info@elevators.com

4500 LBS. HOSPITAL 2 STAGE HOLELESS HYDRAULIC FRONT & REAR CENTER OPENING



NOTE: HOISTWAY WIDTH AND DISTANCE FROM PLATFORM TO HOISTWAY WALL WILL VARY BASED ON SIZE OF JACK, TRAVEL, AND CAPACITY. CONSULT DEI ENGINEERING.

HOISTWAY PLAN

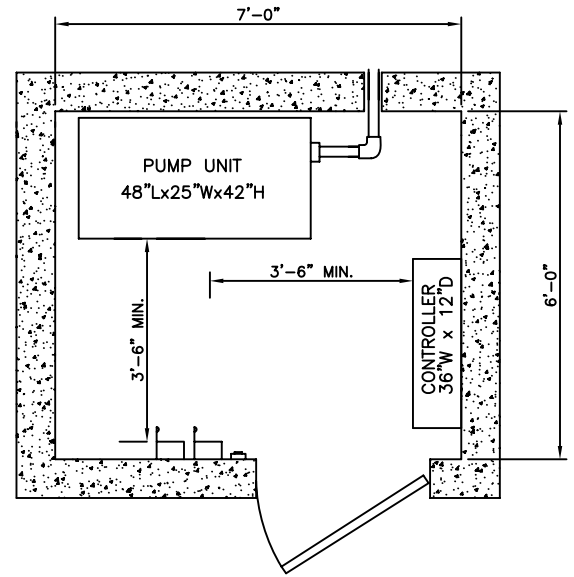
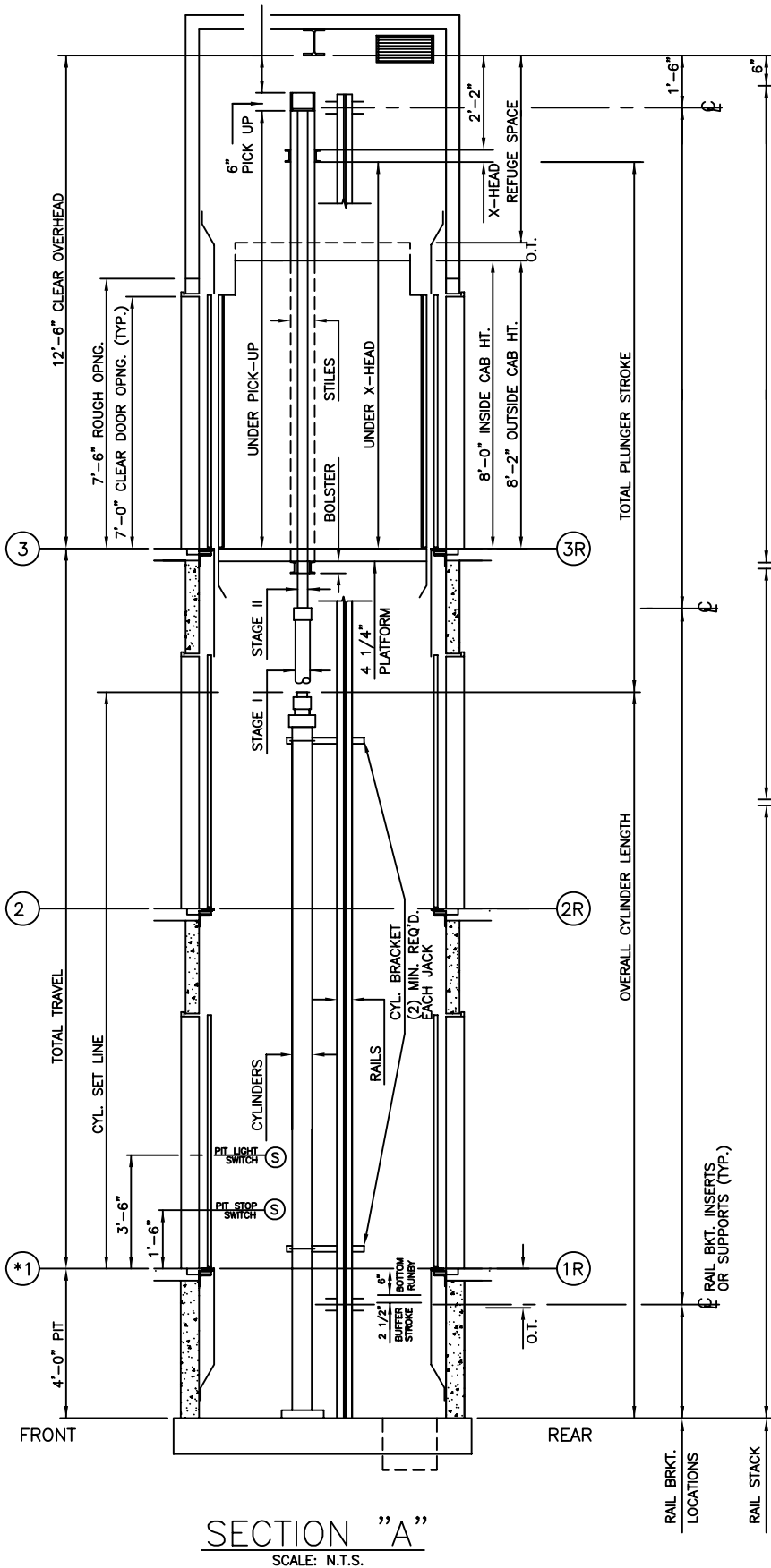
ALL DIMENSIONS ARE SUBJECT TO CHANGE WITHOUT NOTICE. CONSULT NATIONWIDE LIFTS CO. FOR CONFIRMATION.

MEETS 24" X 84" STRETCHER REQUIREMENTS



P: 888-695-4387, E: info@elevators.com

4500 LBS. HOSPITAL 2 STAGE HOLELESS HYDRAULIC FRONT & REAR OPENING



MACHINE ROOM DETAIL

ELEVATION PLAN

Nationwide Lifts
www.elevators.com

P: 888-695-4387, E: info@elevators.com