

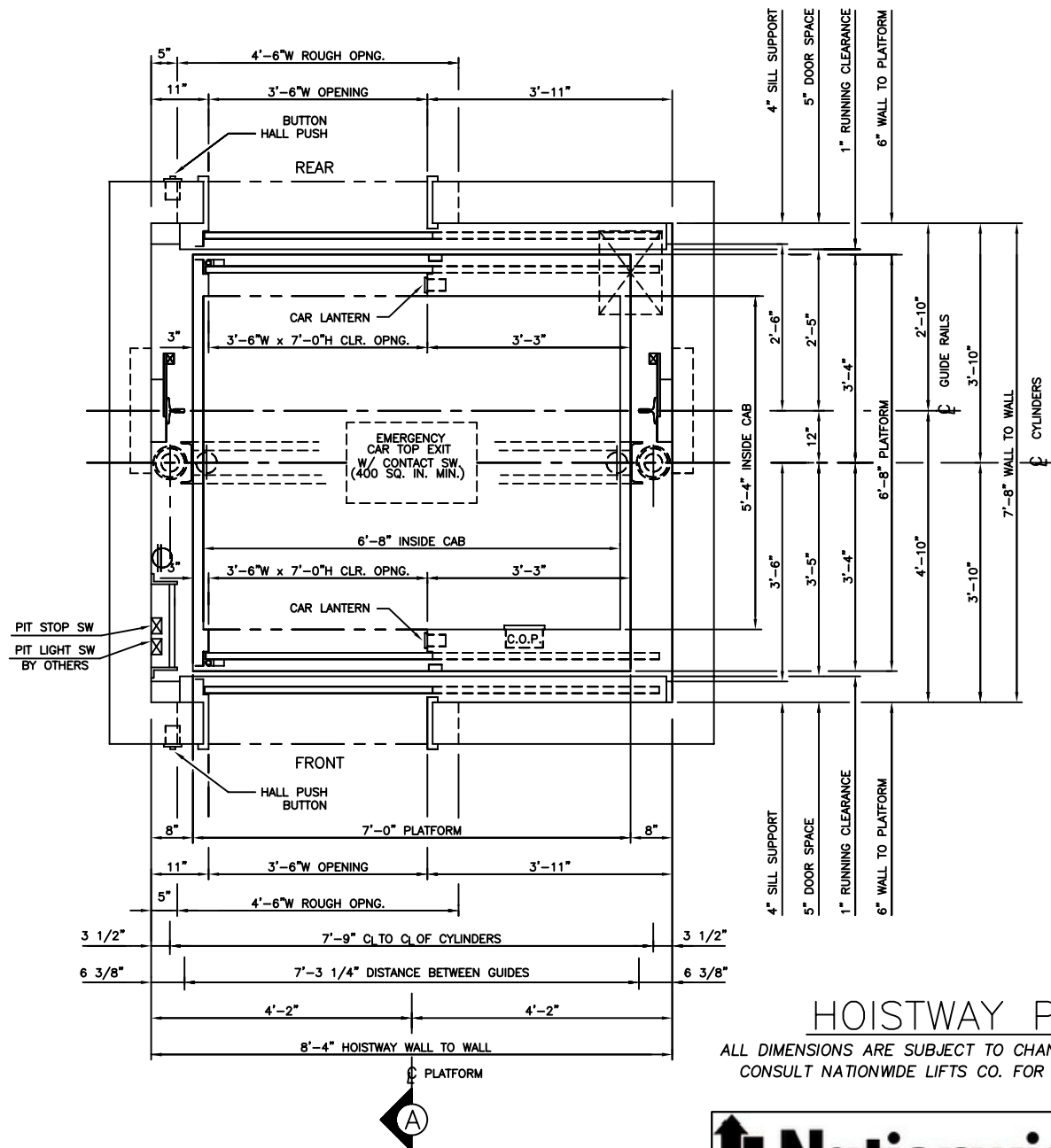
HOISTWAY PLAN

ALL DIMENSIONS ARE SUBJECT TO CHANGE WITHOUT NOTICE.
CONSULT NATIONWIDE LIFTS CO. FOR CONFIRMATION.

*3500 LBS. HOLELESS HYDRAULIC
FRONT & REAR RIGHT OPENING*



P: 888-695-4387, E: info@elevators.com



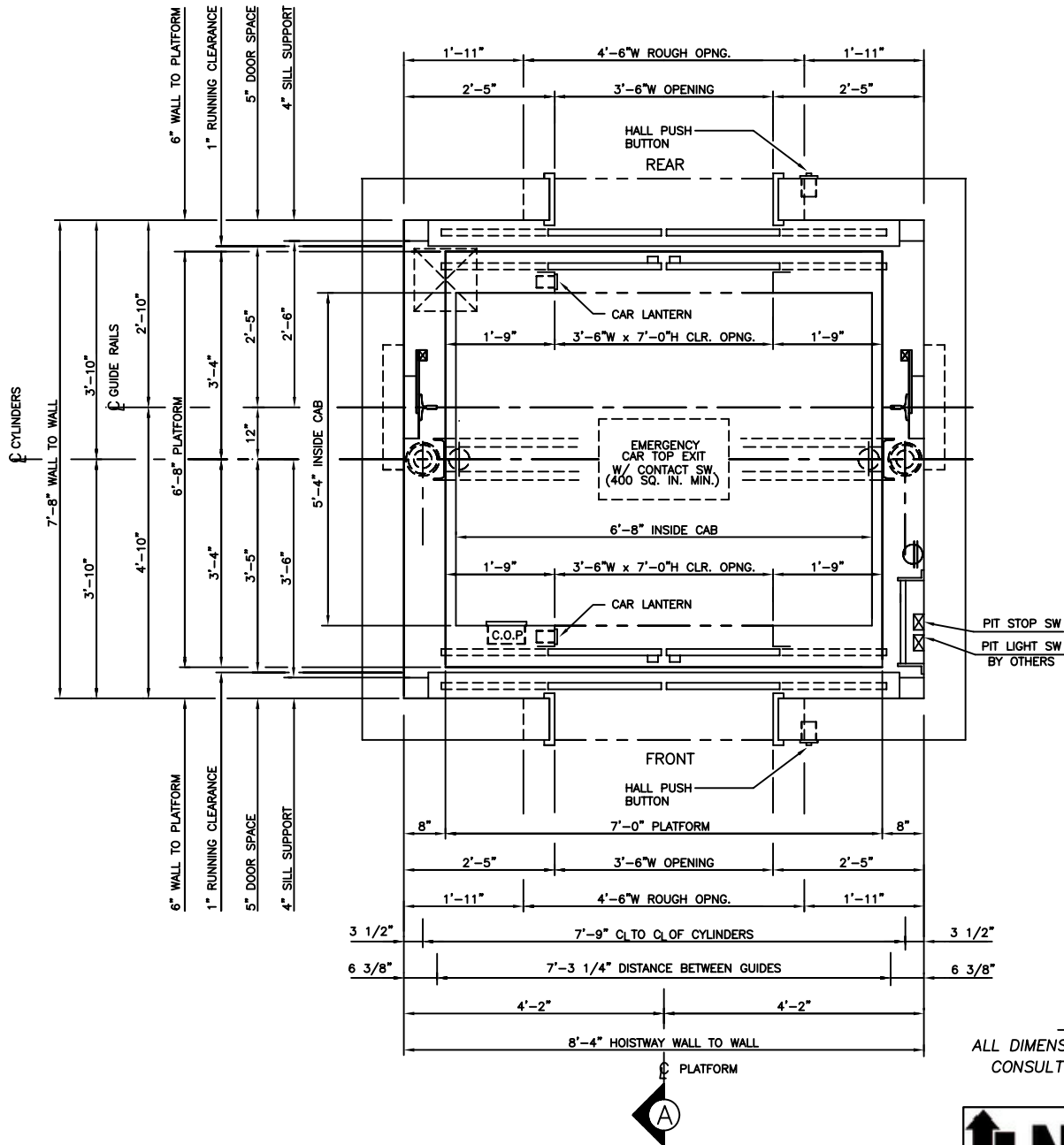
HOISTWAY PLAN

ALL DIMENSIONS ARE SUBJECT TO CHANGE WITHOUT NOTICE.
CONSULT NATIONWIDE LIFTS CO. FOR CONFIRMATION.



P: 888-695-4387, E: info@elevators.com

*3500 LBS. HOLELESS HYDRAULIC
FRONT & REAR LEFT OPENING*



HOISTWAY PLAN

ALL DIMENSIONS ARE SUBJECT TO CHANGE WITHOUT NOTICE.
CONSULT NATIONWIDE LIFTS CO. FOR CONFIRMATION.

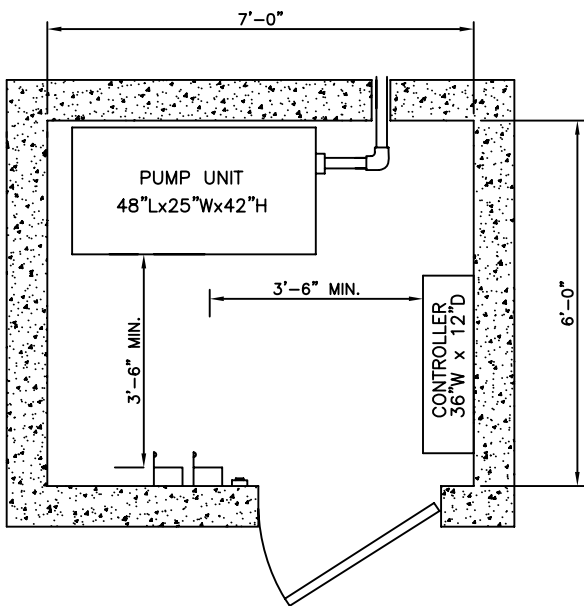
3500 LBS. HOLELESS HYDRAULIC
FRONT & REAR CENTER OPENING



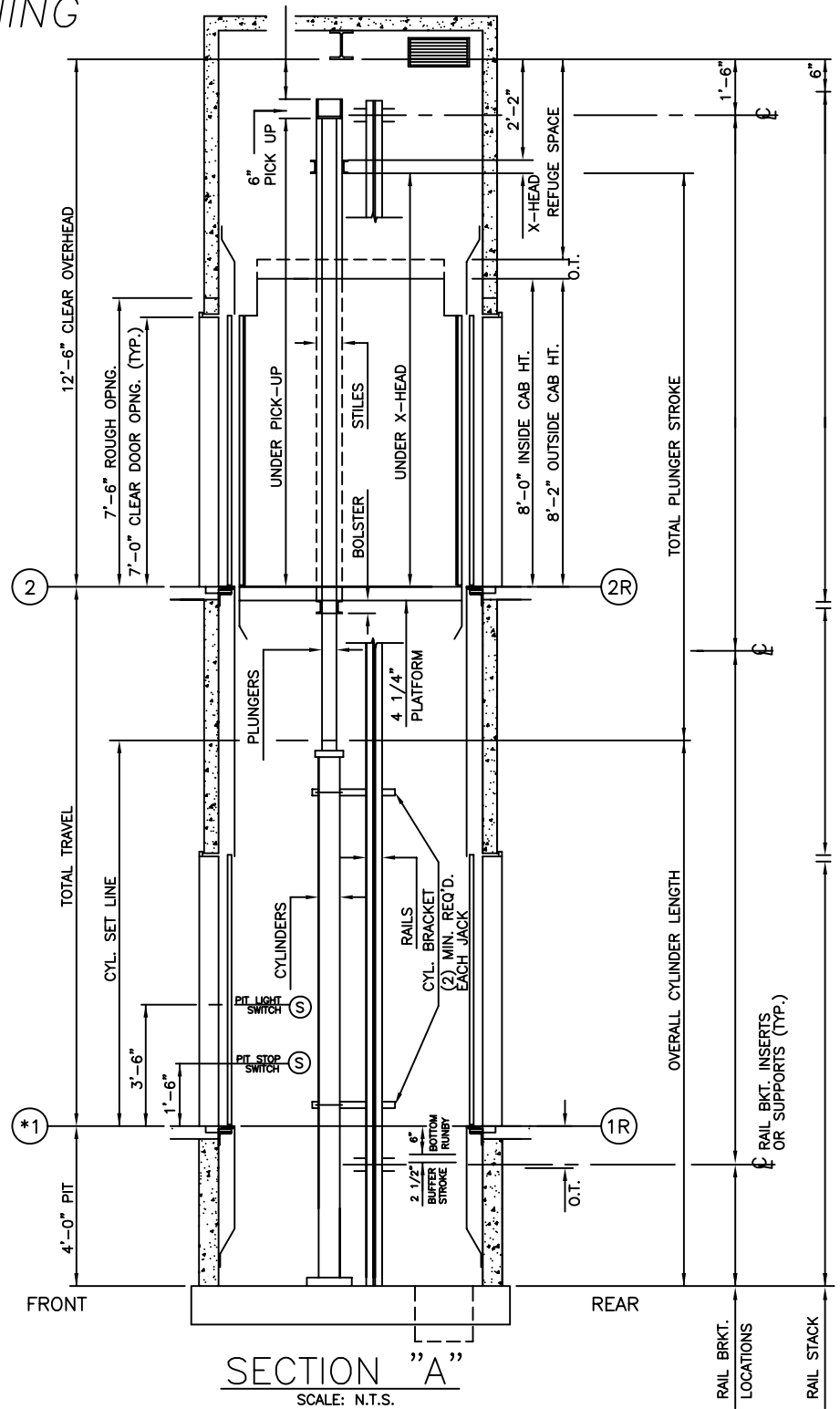
P: 888-695-4387, E: info@elevators.com

3500 LBS. HOLELESS HYDRAULIC FRONT & REAR OPENING

NOTE:
WITH STANDARD 4'-0" PIT AND 12'-6"
OVERHEAD, MAXIMUM TRAVEL AT
100 F.P.M. IS 13'-0". FOR TRAVELS
EXCEEDING 13'-0", CONSULT D.E.I.
ENGINEERING DEPARTMENT.



MACHINE ROOM DETAIL



ELEVATION PLAN



P: 888-695-4387, E: info@elevators.com