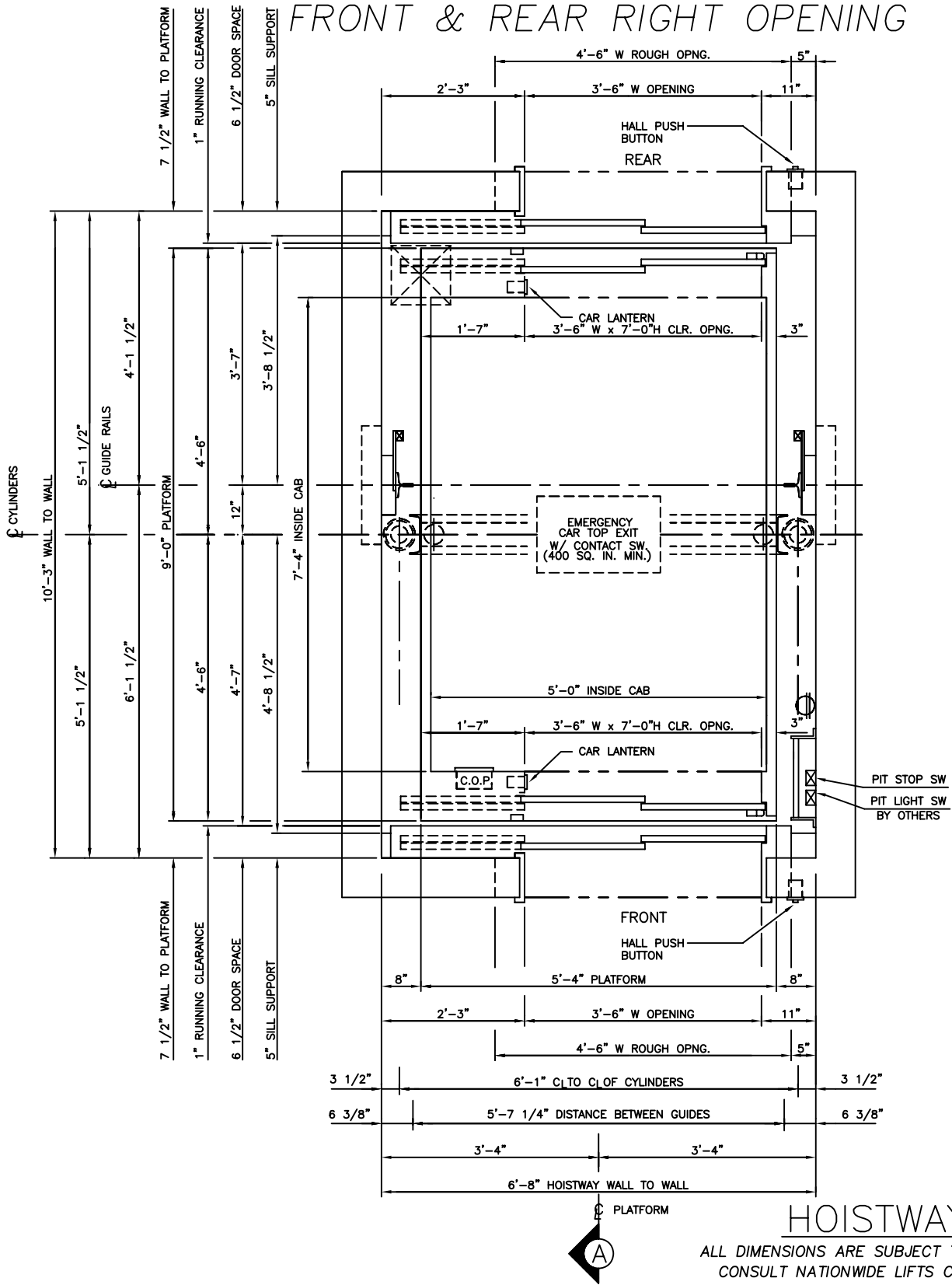


3500 LBS. HOSPITAL HOLELESS HYDRAULIC FRONT & REAR RIGHT OPENING



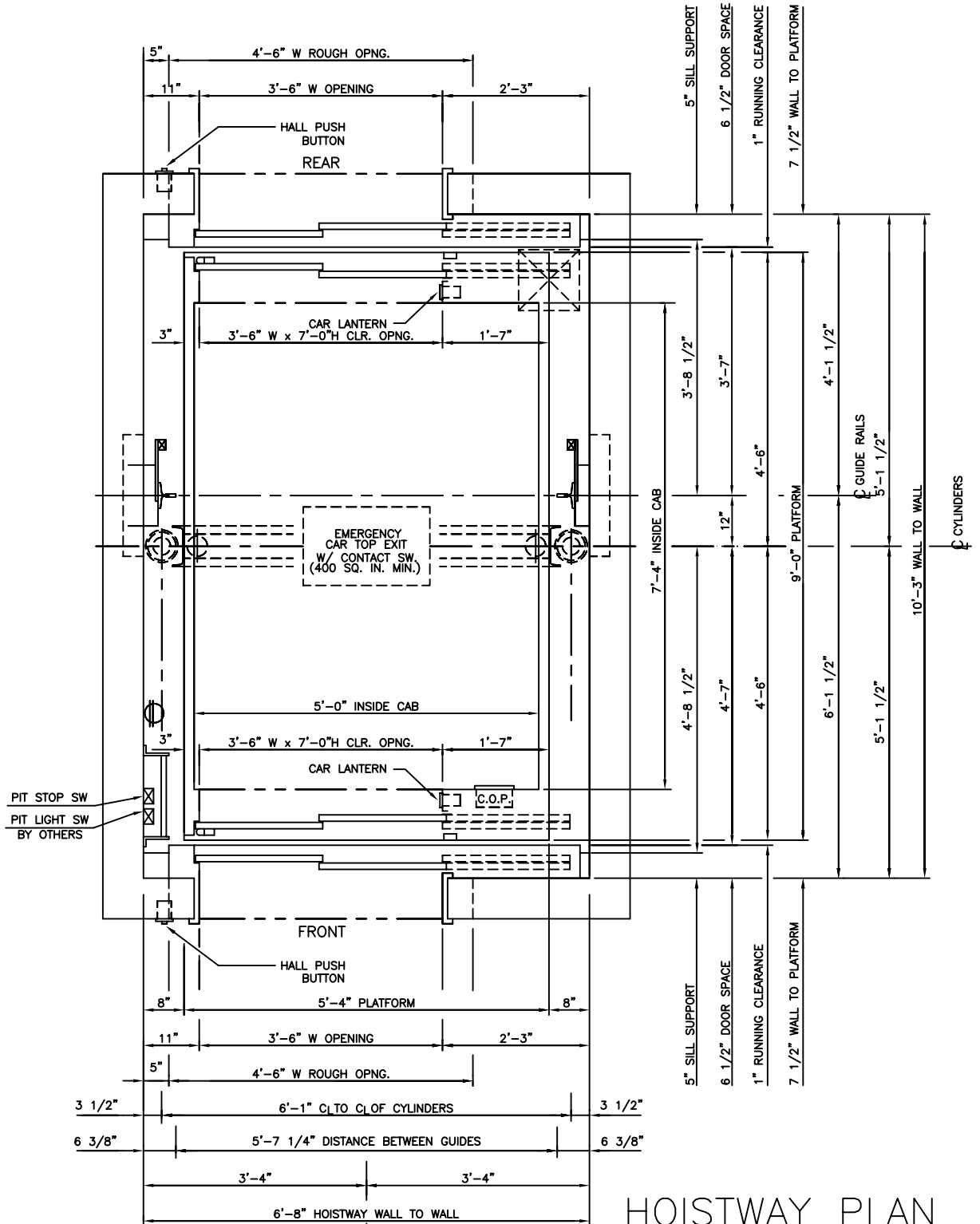
MEETS 24" X 84"
STRETCHER REQUIREMENTS

HOISTWAY PLAN
ALL DIMENSIONS ARE SUBJECT TO CHANGE WITHOUT NOTICE.
CONSULT NATIONWIDE LIFTS CO. FOR CONFIRMATION.



P: 888-695-4387, E: info@elevators.com

3500 LBS. HOSPITAL HOLELESS HYDRAULIC FRONT & REAR LEFT OPENING



HOISTWAY PLAN

ALL DIMENSIONS ARE SUBJECT TO CHANGE WITHOUT NOTICE.
CONSULT NATIONWIDE LIFTS CO. FOR CONFIRMATION.

MEETS 24" X 84"
STRETCHER REQUIREMENTS

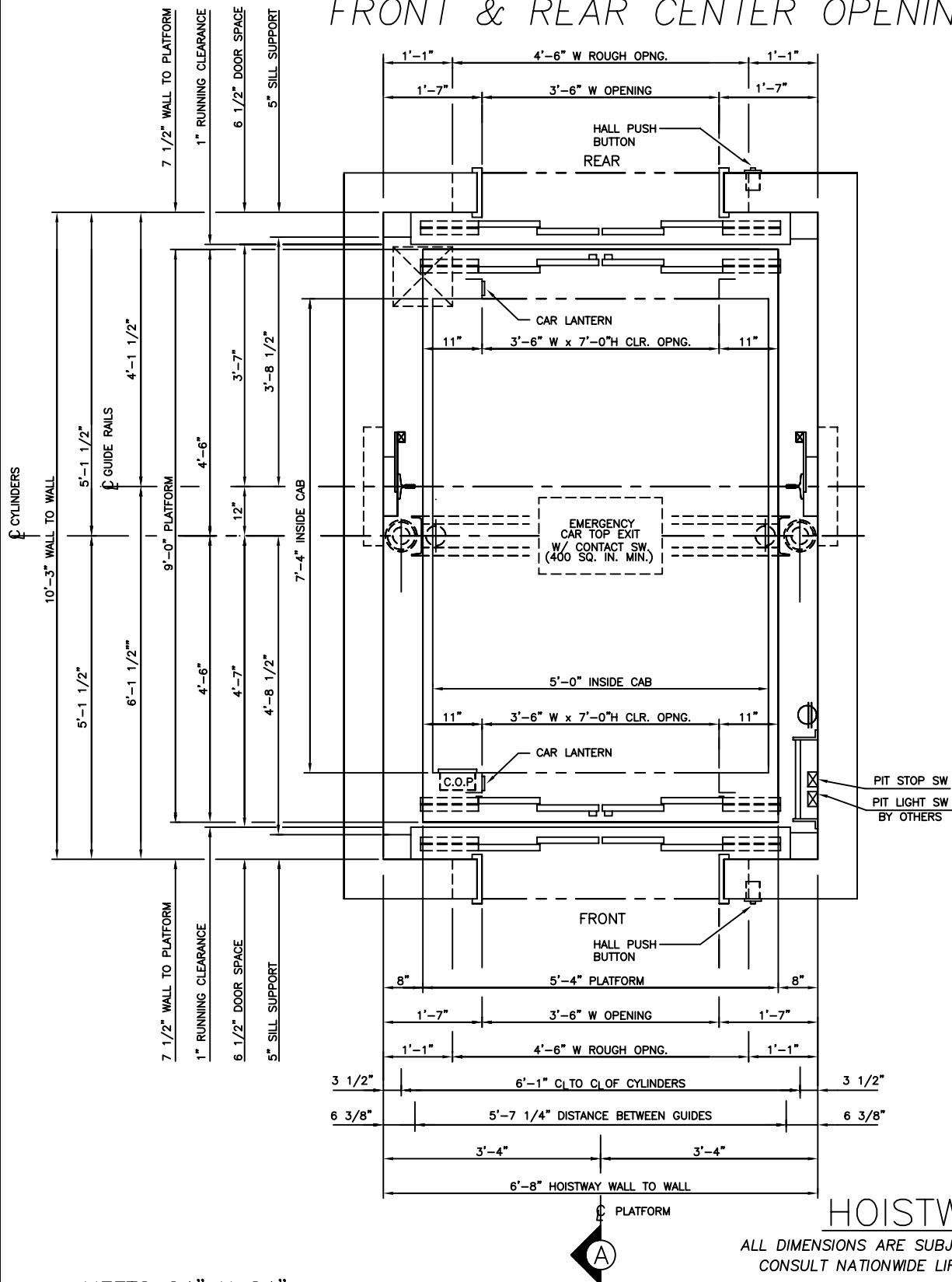


Nationwide Lifts

www.elevators.com

P: 888-695-4387, E: info@elevators.com

3500 LBS. HOSPITAL HOLELESS HYDRAULIC FRONT & REAR CENTER OPENING



HOISTWAY PLAN

ALL DIMENSIONS ARE SUBJECT TO CHANGE WITHOUT NOTICE.
CONSULT NATIONWIDE LIFTS CO. FOR CONFIRMATION.

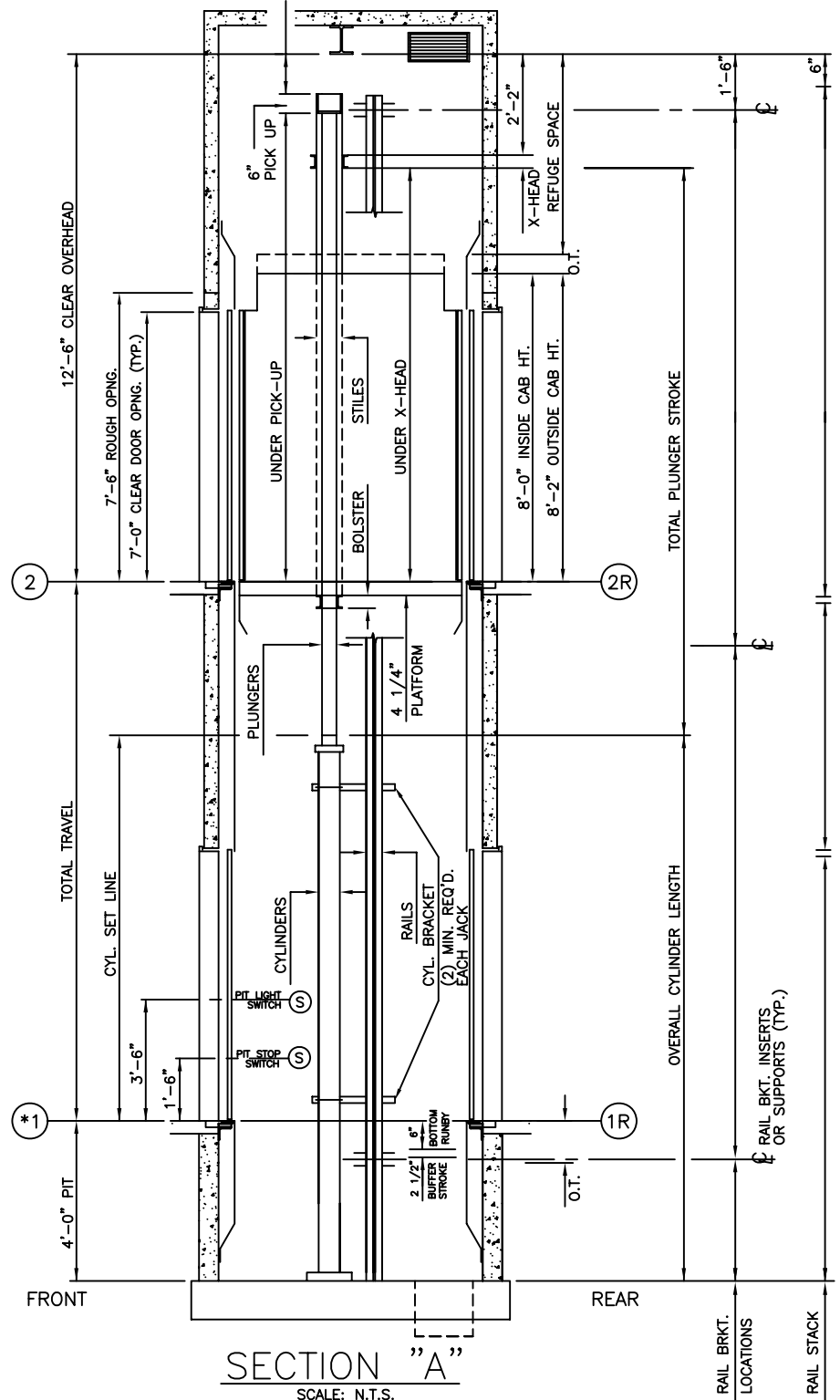
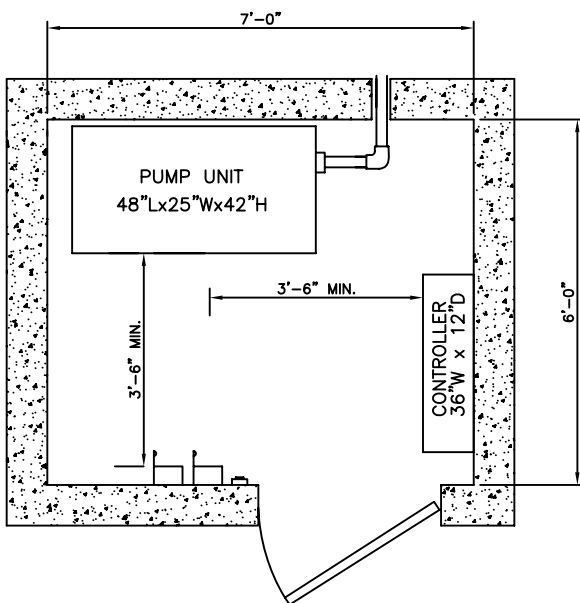
MEETS 24" X 84"
STRETCHER REQUIREMENTS



P: 888-695-4387, E: info@elevators.com

3500 LBS. HOSPITAL HOLELESS HYDRAULIC FRONT & REAR OPENING

NOTE:
WITH STANDARD 4'-0" PIT AND 12'-6"
OVERHEAD, MAXIMUM TRAVEL AT
100 F.P.M. IS 13'-0". FOR TRAVELS
EXCEEDING 13'-0", CONSULT D.E.I.
ENGINEERING DEPARTMENT.




Nationwide Lifts
www.elevators.com

P: 888-695-4387, E: info@elevators.com