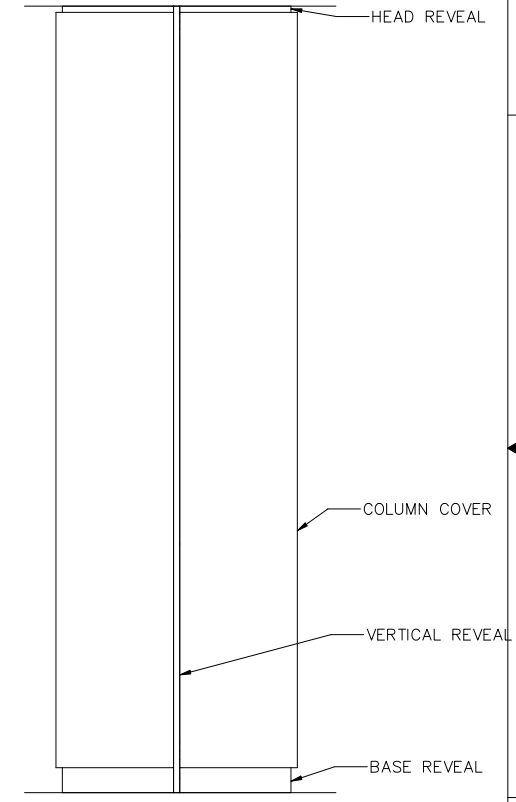
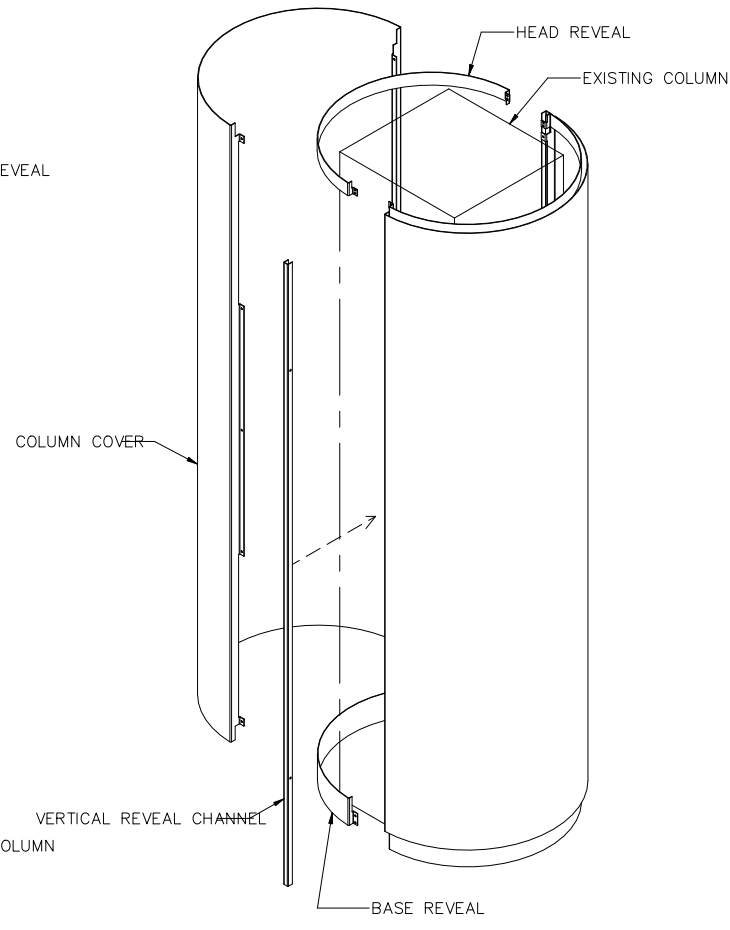
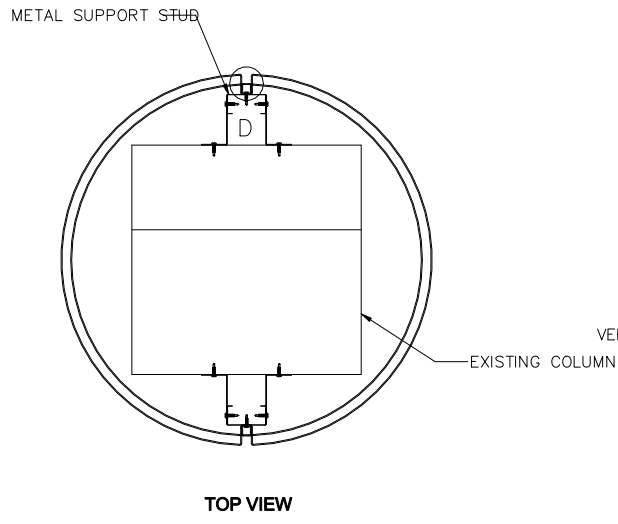
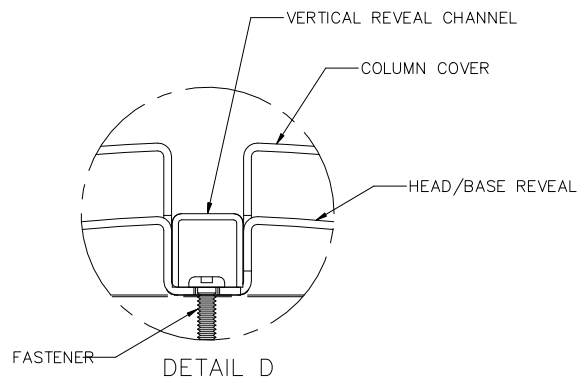


8 7 6 5 4 3 2 1

D
C
B
A



NuvoFlute-U

COLUMN COVER WITH VERTICAL REVEAL

NO.	DATE	REVISION
REVISIONS		

<p>These are the scale and exclusive property of Nelson Industrial Inc. and the information contained herein may be used only by authorized agents. The use of these drawings for unintended applications, unauthorized alterations performed by third parties - on electronic files or hard copies - as well as disclosure and dissemination of information without prior consent are strictly prohibited and will absolve Nelson Industrial Inc. of any resulting liability.</p>	<p>STANDARD MFG. TOLERANCES ARE: UP TO .015 ±.015 OVER .015 ±.031 ANGLES: ±.05 DEG. HOLES: ±.004-.002 ALL DIMENSIONS SHOWN IN INCHES TAKEN FROM OUTSIDE UNLESS OTHERWISE SPECIFIED. FROM ALL PARTS WITH BLANK TO BRIDGE. BLANK SHOWN BLANK SIDE DOWN</p>	SET BACK MATERIAL FINISH	HIL. INFO. MARKS PART NO.	DESCRIPTION SHEET SCALE 1:20 DESIGN LChan DATE 07/07/2020 APPROVED DATE RELEASE DATE 19/11/2024	SIZE DWD NO B COLUMN COVER-VERT REVEAL	SHEET 1 of 1 REV A
		PRODUCTION THIRD ANGLE	J:\drawing files\COLUMN COVERS\45-HAWKESBURY\01-SUBMITTAL\SUBMITTAL No1 GRIDLINES D6 AND CY6\SYSTEM DWG - COLUMN COVER WITH REVEAL.dft			

8 7 6 5 4 3 2 1