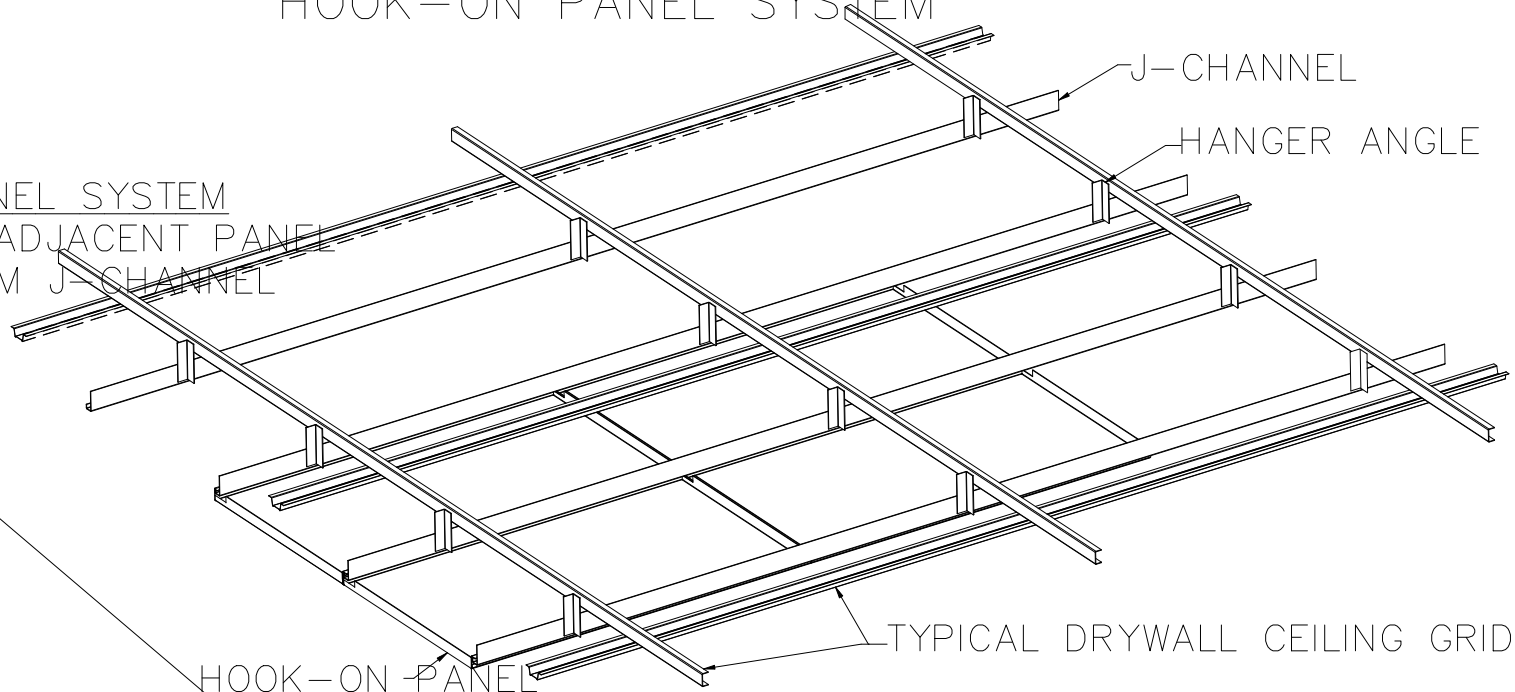


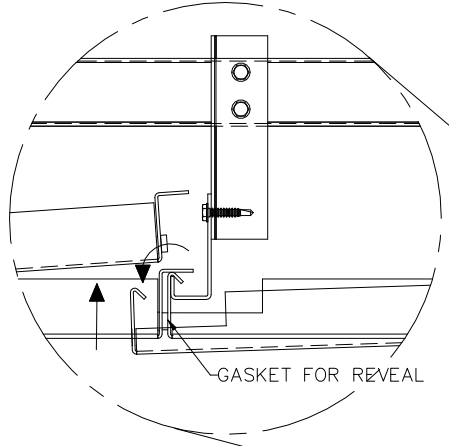
8 7 6 5 4 3 2 1

HOOK-ON PANEL SYSTEM

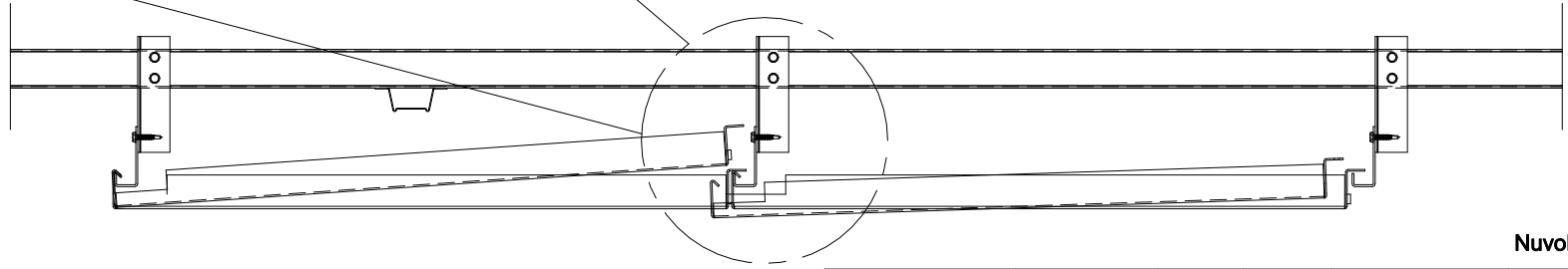
NON-PROGRESSIVE PANEL SYSTEM
 TO REMOVE PANEL, LIFT ADJACENT PANEL
 AND UNHOOK PANEL FROM J-CHANNEL



TYPICAL DRYWALL CEILING GRID



GASKET FOR REVEAL



NuvoPanel-HO

These are the sole and exclusive property of Nelson Industrial Inc. and the information contained herein may be used only by authorized agents. The use of these drawings for unintended applications, unauthorized alterations performed by third parties - on electronic files or hard copies - as well as disclosure and dissemination of information without prior consent are strictly prohibited and will absolve Nelson Industrial Inc. of any resulting liability.		STANDARD INFO. TOLERANCES ARE: UP TO 40PLG +/- .015 OVER 40PLG +/- .031 ANGLES: +/- 0.5 DEG. HOLES: +/- .005 - .003 UNLESS OTHERWISE SPECIFIED ON THE DRAWING, ANGLES NOT DIMENSIONED ARE 90 DEG.	SETBACK DIM. INFO. HOOKS	PART NO. SCALE SHEET SCALE 1:8	DESCRIPTION HOOK-ON CEILING PANEL SYSTEM
ALL DIMENSIONS BACKWH IN INCHES TYPED FROM OUTSIDE UNLESS OTHERWISE SPECIFIED. FORM ALL PARTS WITH BURR TO INSIDE. BLANK SHOW BURR SIDE DOWN		MATERIAL FINISH	DATE 08/07/2020	APPROVED DATE 19/11/2020	SIZE 8
PROJECTION THIRD ANGLE		WEIGHT RELEASE DATE	SHEET NO. 1 of 1	REV. A	HOOK-ON CEILING PANEL

J:\drawing_files\NELSON ARCH SYSTEMS\HOOK ON PANEL SYSTEM_2.dft

NO.	DATE	REVISION
REVISIONS		

8 7 6 5 4 3 2 1