

8

7

6

5

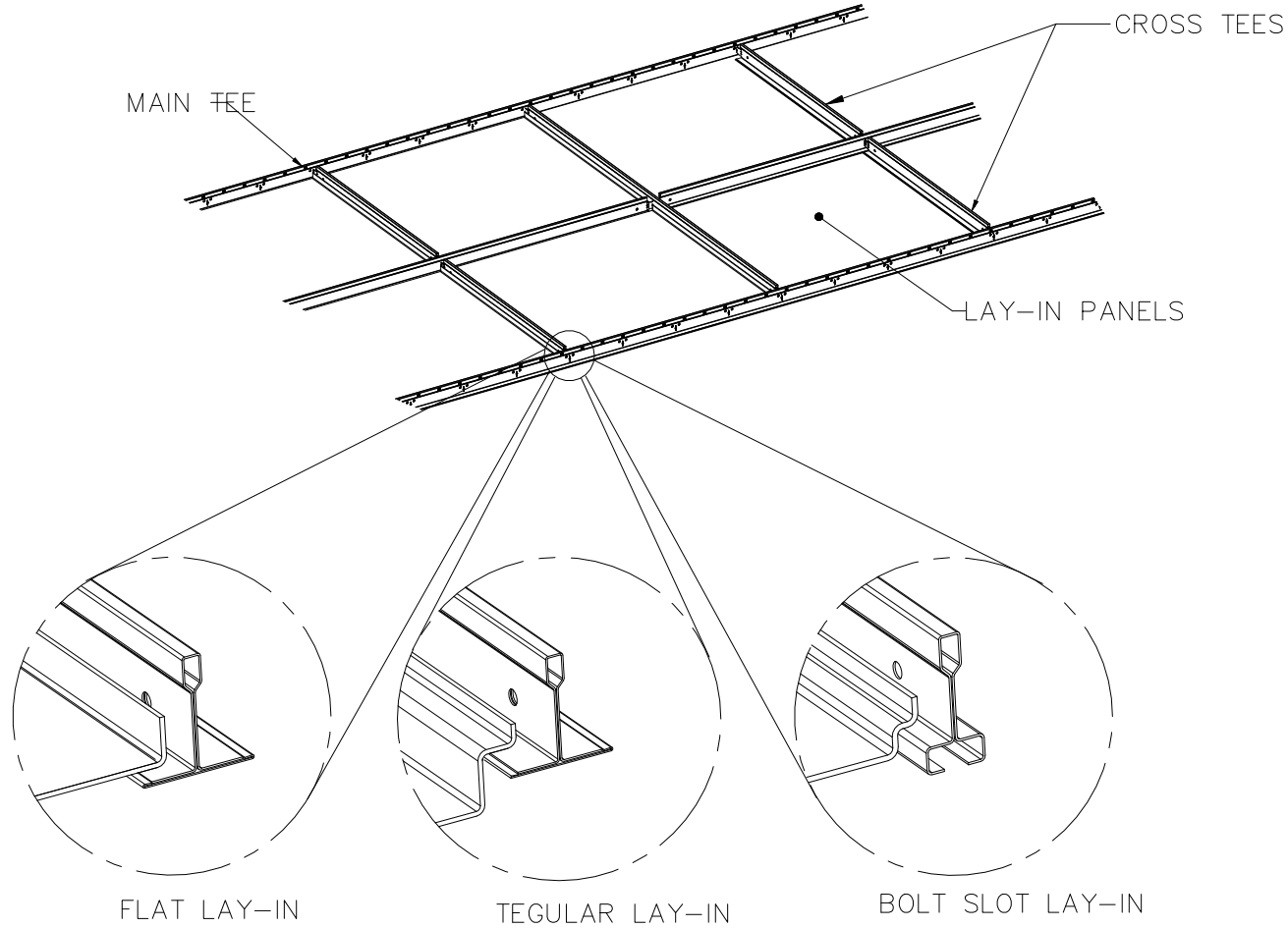
4

3

2

1

LAY-IN PANEL SYSTEM



NuvoPanel-LI

NO.	DATE	REVISION
REVISIONS		

These are the sole and exclusive property of Nelson Industrial Inc. and the information contained herein may be used only by authorized agents. The use of these drawings for unintended applications, unauthorized alterations performed by third parties - on electronic files or hard copies - as well as disclosure and dissemination of information without prior consent are strictly prohibited and will absolve Nelson Industrial Inc. of any resulting liability.		STANDARD INFO. TOLERANCES ARE UP TO 40% ± 0.015 OVER 40% LG ± 0.021 ANGLES: ± 0.5 DEG. HOLES: ± 0.025 - 0.003 UNLESS OTHERWISE SPECIFIED ON THE DRAWING, ANGLES NOT DIMENSIONED ARE 90 DEG.		SETBACK DIM. INFO NUMBER	PART NO. SHEET SCALE 1:8	DESCRIPTION LAY-IN CEILING PANEL SYSTEM
		ALL DIMENSIONS SHOWN IN INCHES UNLESS OTHERWISE SPECIFIED. FORM ALL PARTS WITH BURR TO INSIDE. BLANK DOWN BURR SIDE DOWN	MATERIAL FINISH	CROWN APPROVED DATE	DATE 08/07/2020	WEIGHT RELEASE DATE 19/11/2020
DRAWING PATH: J:\drawing files\NELSON ARCH SYSTEMS\LAYIN PANEL SYSTEM_2.dft						

8

7

6

5

4

3

2

1