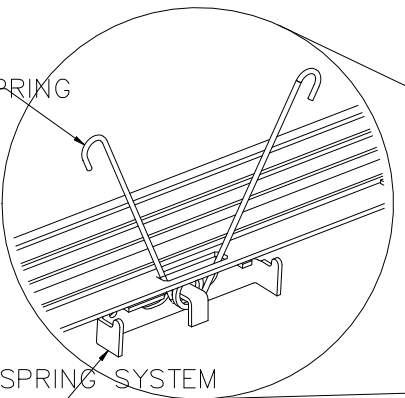


# TYPICAL TORSION SPRING SYSTEM WITH SWING DOWN ACCESS

TORSION SPRING



CLIP MOUNT TORSION SPRING SYSTEM (FOR EASY PANEL INSTALLATION AND REMOVAL, AND ALLOWS PANEL TO SWING DOWN AND HANG IN PLACE AT 90 DEG. FOR BEHIND PANEL ACCESS)

MAIN CROSS TEE

CROSS ANGLE

PANEL

SWING DOWN ACCESS

4 POINT SAFETY RESTRAINT

## NuvoPanel-TSP Swing

<p>These are the sole and exclusive property of Nelson Industrial Inc. and the information contained herein may be used only by authorized agents. The use of these drawings for unintended applications, unauthorized alterations performed by third parties - on electronic files or hard copies - as well as disclosure and dissemination of information without prior consent are strictly prohibited and will absolve Nelson Industrial Inc. of any resulting liability.</p>	<p>STANDARD INFO. TOLERANCES ARE:                  UP TO 40'L6 ±.015                  OVER 40'L6 ±.031                  ANGLES: ±.05 DEG.                  HOLES: ±.005-.008                  UNLESS OTHERWISE SPECIFIED ON THE DRAWING, ANGLES NOT DIMENSIONED ARE 90 DEG.</p>	<p>SETBACK</p>	<p>FIN. HOLE NUMBER</p>	<p>PART NO.</p>	<p>DESCRIPTION                  TORSION SPRING CEILING PANEL SYSTEM WITH SWING DOWN ACCESS</p>
	<p>MATERIAL</p>	<p>SCALE SHEET SCALE 1:8</p>	<p>DATE 08/07/2020</p>	<p>NO.</p>	<p>REV.</p>
	<p>FINISH</p>	<p>APPROVED</p>	<p>DATE</p>	<p>DATE 22/07/2020</p>	<p>NO. 8</p>
	<p>PROJECTION                  THIRD ANGLE</p>	<p>WEIGHT</p>	<p>RELEASE DATE</p>	<p>NO. 8</p>	<p>NO. 1 of 1</p>

NO.	DATE	REVISION
REVISIONS		

FILE PATH: J:\drawing files\NELSON ARCH SYSTEMS\TORSION SPRING PANEL SYSTEM\_2.dft