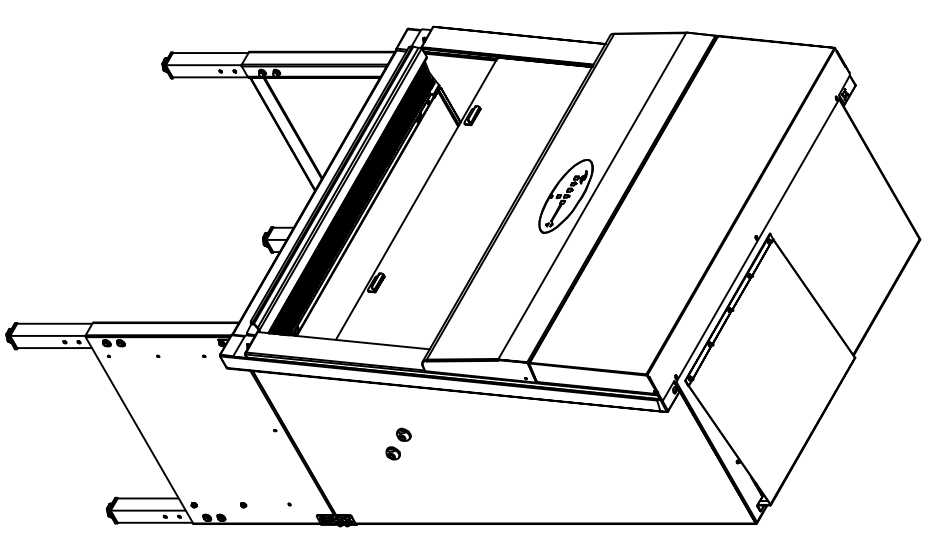
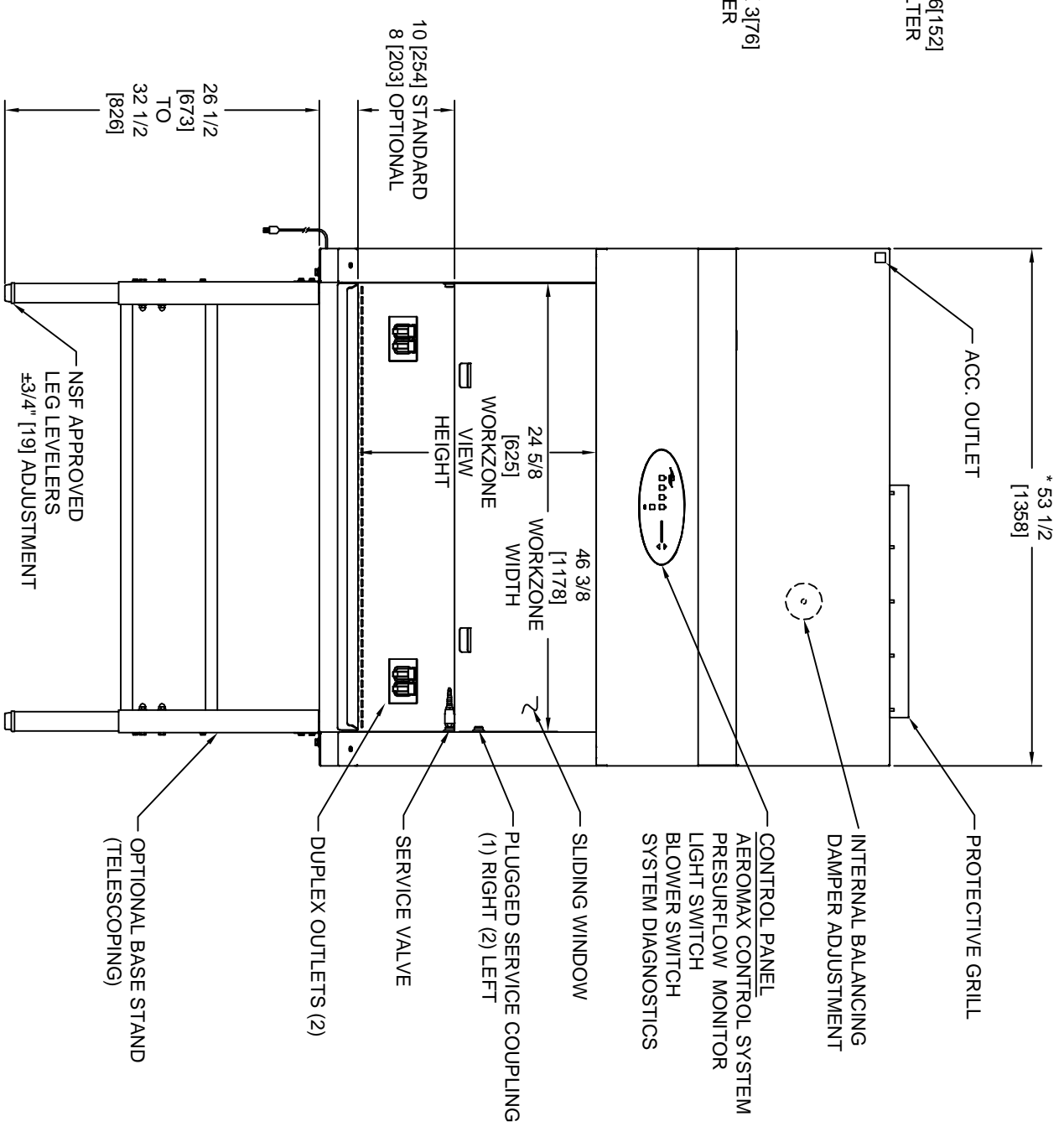
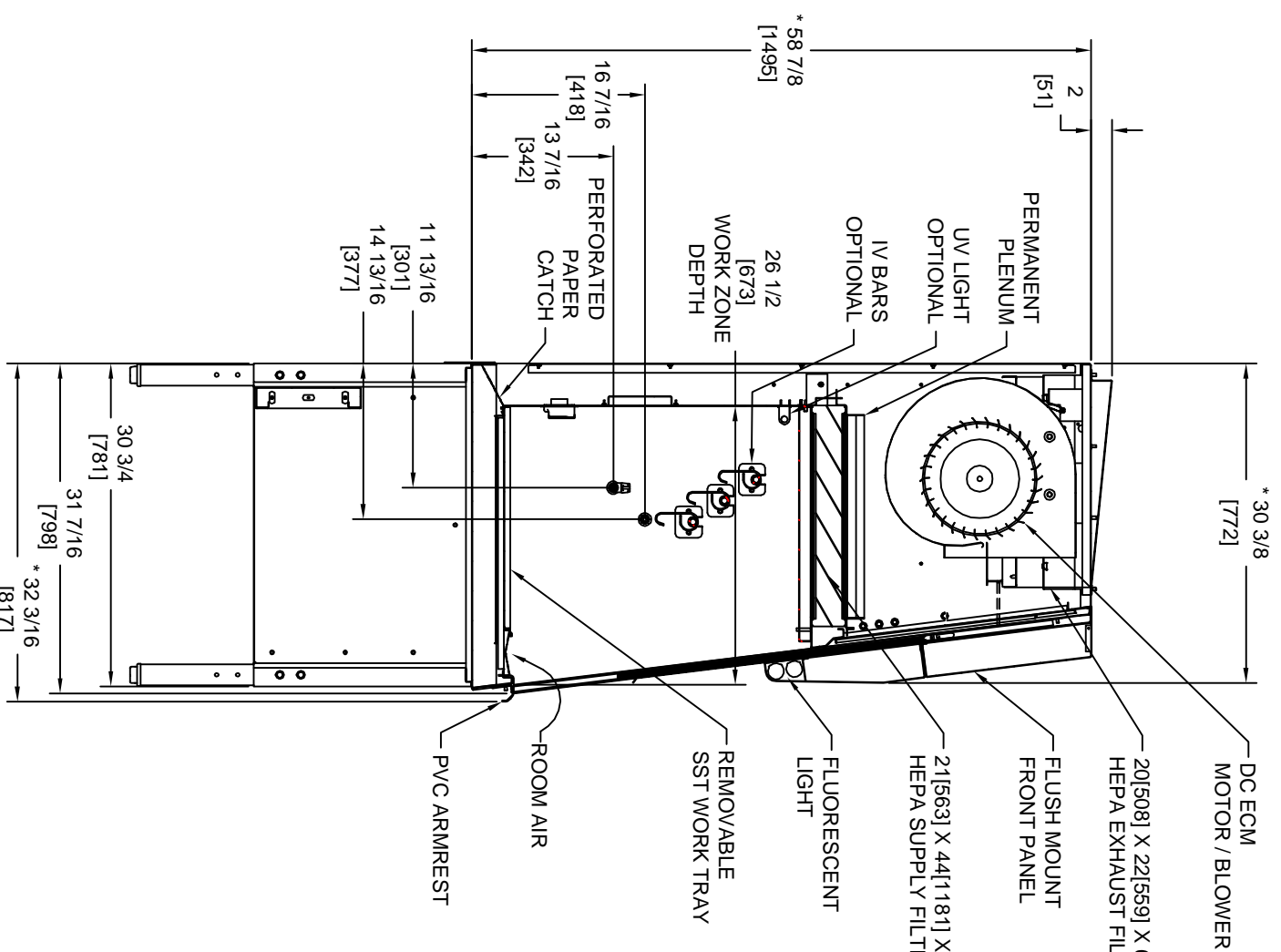
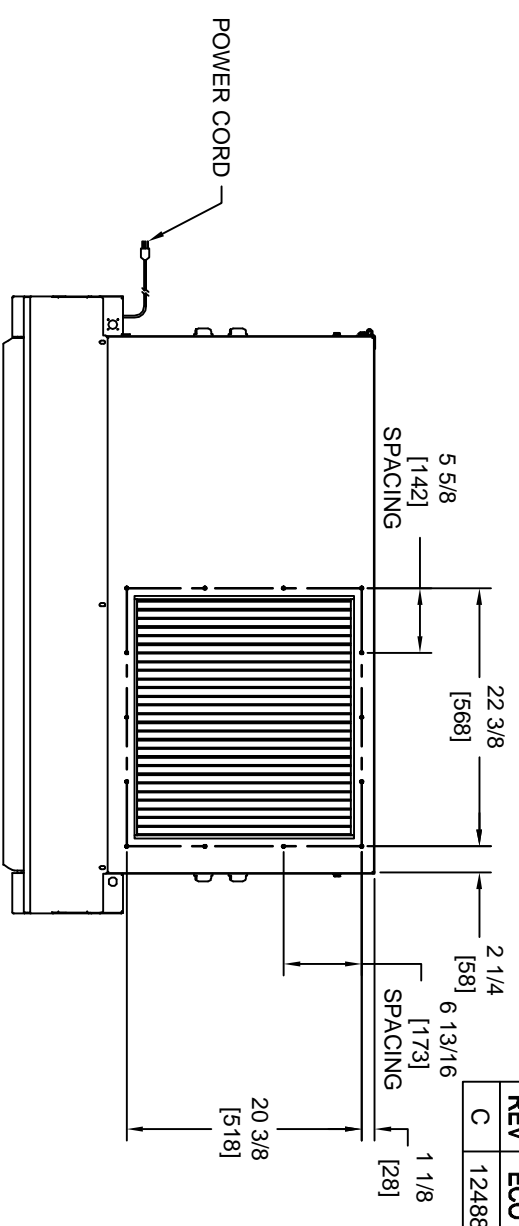


REV	ECO	DESCRIPTION	DATE	DRFT	CHKD
C	12488	UPDATED	10/01/14	LS	BP



* OVERALL DIMENSIONAL TOLERANCE ±1/4 [6.35]
ALL OTHER DIMENSIONS ±1/8 [3.17]



NU-540-400

CLASS II, TYPE A2 (ENERGY SAVER)
BIOLOGICAL SAFETY CABINET

DFTM	LS	12/16/2013	CHKD	BP	SHEET	1 OF 1
DRAWING NUMBER BCD-16514						
C						

INCH
MILLIMETER