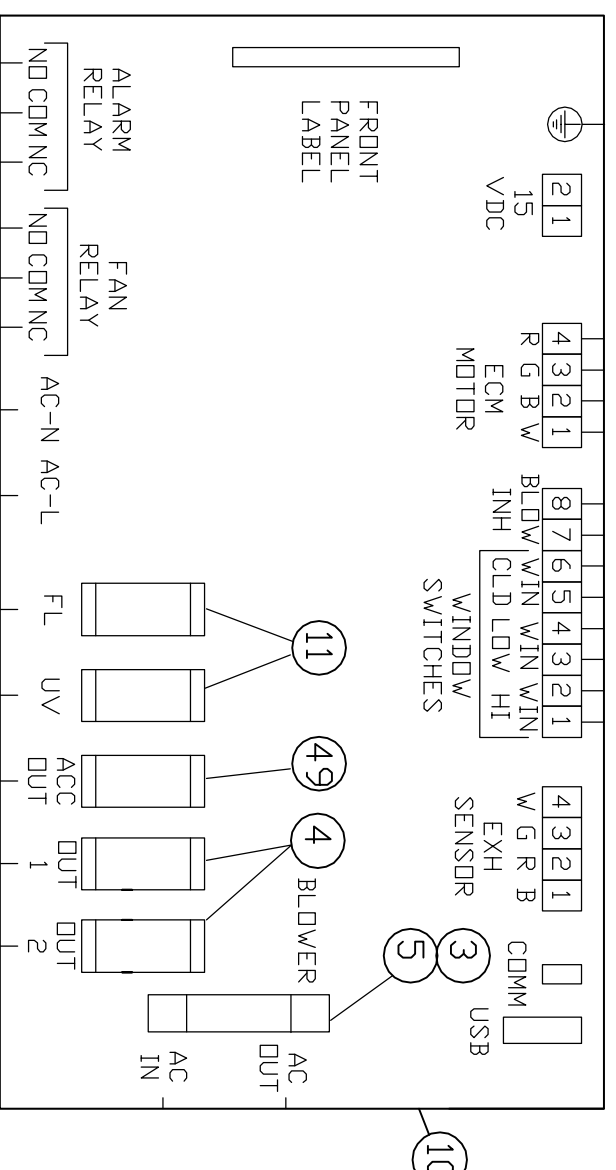



ITEM QTY	DESCRIPTION	NUAIRE P/N
1 1/2	ISA POWER CORD 12 FT. MOD. DEED PLUG (3 & 4 FT.)	X-999543
2 1	EMI FILTER	X-999319-03
3 1	FUSE (12 A) (1/4X1-1/4) (MOTOR, 5 & 6 FT.)	X-999052-02
4 2	FUSE (3 A) (5X20mm) (OUTLETS)	X-999039-03
5 1	FUSE (10 A) (1/4X1-1/4) (MOTOR, 3 & 4 FT.)	X-999052-01
6		
7 2	SV. ROLLER SPDT(BLOWER)(WINDOW HEIGHT)	X-999690-03
8 A/R	LED LAMP (3 FT.)	X-999083-05
9 A/R	LED LAMP (4, 5, & 6 FT.)	X-999083-04
10 1	GAF III (BASIC)	A-540-1002-B
11 1	FUSE (1 AMP) (5 X 20mm) (LIGHTS)	X-999039-13
12 1	BALLAST FLUORESCENT	X-999184-05
13 1	CONNECTOR, RECEPTICLE 9 PIN	X-999234-02
14 2	LAMPHOLDER FIXED BASE BI-PIN	X-999418-02
15 2	LAMPHOLDER SPRING BASE BI-PIN	X-999418-01
16		
17 2	LAMP FLUORESCENT (4, 5 & 6 FT.)	X-999428-03
18 2	LAMP FLUORESCENT (3 FT.)	X-999428-02
19 1	BULKHEAD CONNECTOR 4 PIN	A-425-3654-03
20 1	CONNECTOR, PLUG 9 PIN	X-999235-02
21 1	BALLAST UV LAMP (3 FT.)	X-999184-09
22 1	ACCESSORY OUTLET	X-999512
23 1	CONVENIENCE OUTLET(1 EA 4& 6 FT ONLY)	X-999511
24 1	15 AMP GFI OUTLET	X-999330
25 1	UV. LAMP (4, 5 & 6 FT.)	X-999442-01
26 1	UV. LAMP (3 FT.)	X-999443-01
27 2	UV. SOLID BASE	X-999163-02
28 1	BULKHEAD CONNECTOR 6 PIN	A-425-3654-01
29 A/R	FUSE (5A) (5X 20MM) 5 AMP OUTLET OPTION	X-999039-06
30 1	MOTOR DC, ECM 5.0, 3/4 HP (5, 6 FT.)	A-999931-06
31 A/R	OUTLET BOX W/2 HOLES	A-407-133-02
32 A/R	BULKHEAD CONNECTOR 2 PIN	A-407-1088-01
33 1	BALLAST, UV LAMP (4, 5 & 6 FT.)	X-999184-10
34 A/R	20 AMP OUTLET	X-999509
35 1	2" X 4" J-BOX	X-999371
36		
37		
38 A/R	SOCKET CONTACT	X-999244-02
39 A/R	PIN CONTACT	X-999244-01
40 1	CONNECTOR PLUG 15 PIN	X-999295
41 1	CONNECTOR RECEPTACLE 15 PIN	X-999296
42		
43 A/R	20A POWER CORD 12 FT. MOD. DEED PLUG (4 FT W/ 5 AMP OUTLET, 5 & 6 FT.)	X-999536
44 A/R	20 AMP GFI OUTLET	X-999330-01
45 1	MOTOR DC, ECM 5.0, 1/2 HP (3, 4 FT.)	A-999931-05
46 1	TERMINAL BLOCK ASSY CONTAINING: END,ND PLACE, TERMINAL BLOCK END, 4 PLACE, TERMINAL BLOCK TERMINAL BLOCK 2 PLACE NON-END TERMINAL BLOCK 4 PLACE NON-END JUMPER, TERMINAL BLOCK	A-425-4099-01 X-999921-01 X-999921-03 X-999919-01 X-999919-02 X-999920-01
47 1	TERMINAL BLOCK ASSY CONTAINING: END,ND PLACE, TERMINAL BLOCK END, 4 PLACE, TERMINAL BLOCK TERMINAL BLOCK 2 PLACE NON-END TERMINAL BLOCK 4 PLACE NON-END JUMPER, TERMINAL BLOCK	A-425-4099-02 X-999921-01 X-999921-03 X-999919-01 X-999919-02 X-999920-01
48 3	JUMPER, TERMINAL BLOCK	X-999920-01
49 1	FUSE(G2A) (5X 20mm)(ACCESSORY OUTLET)	X-999039-14
50 1	SWITCH (DPST)	X-999676-04
51 1	CONNECTOR - HOUSING	X-999046-03
52 1	CONNECTOR - SOCKET	X-999862-03
53 1	CAPACITOR .22 MF	X-999132-30
54 1	RELAY (DPDT)	X-999866-02
55 2	DOUBLE SPADE CONNECTOR	X-999928-02



REV	ECD	DESCRIPTION	DATE	INL	INL
H	12692		06/04/2015	JK	DSH

					
NU-540-300/400/500/600 115 VAC, 60 HZ (ENERGY SAVER ECM MOTOR) ELECTRICAL SCHEMATIC					
DFTML	S	12/16/09	CHKD	BP	SHEET 2 OF 2
DRAWING NUMBER	BCD-16517				H