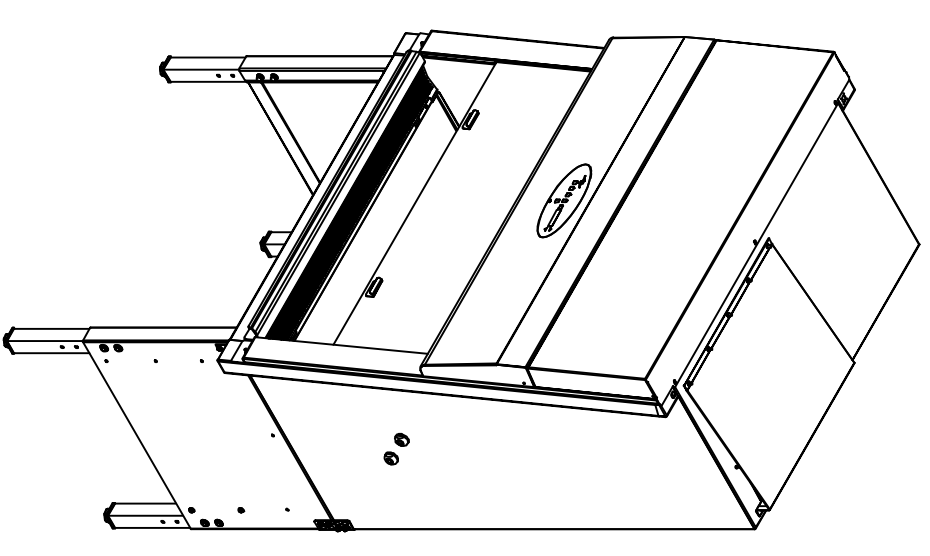
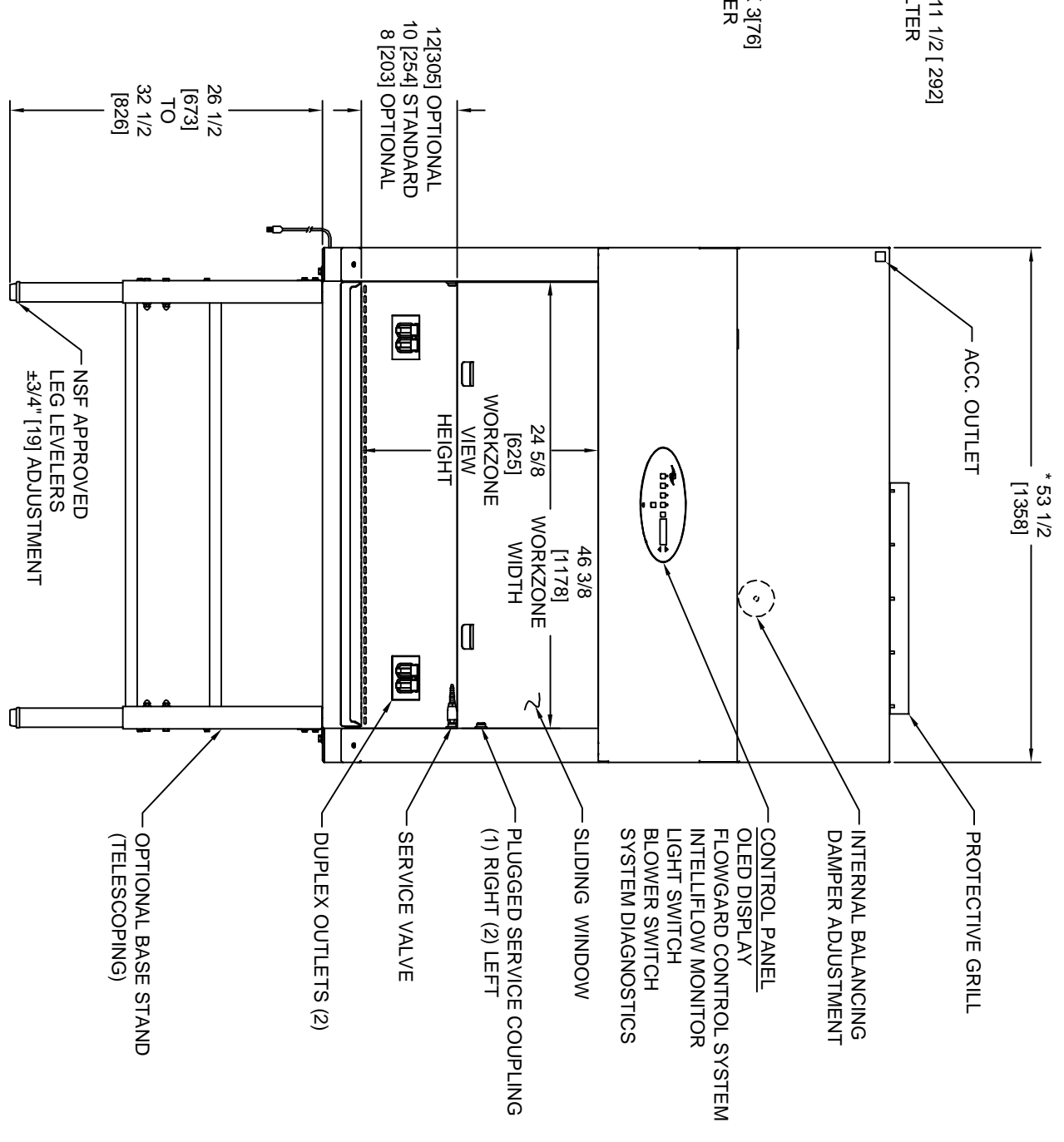
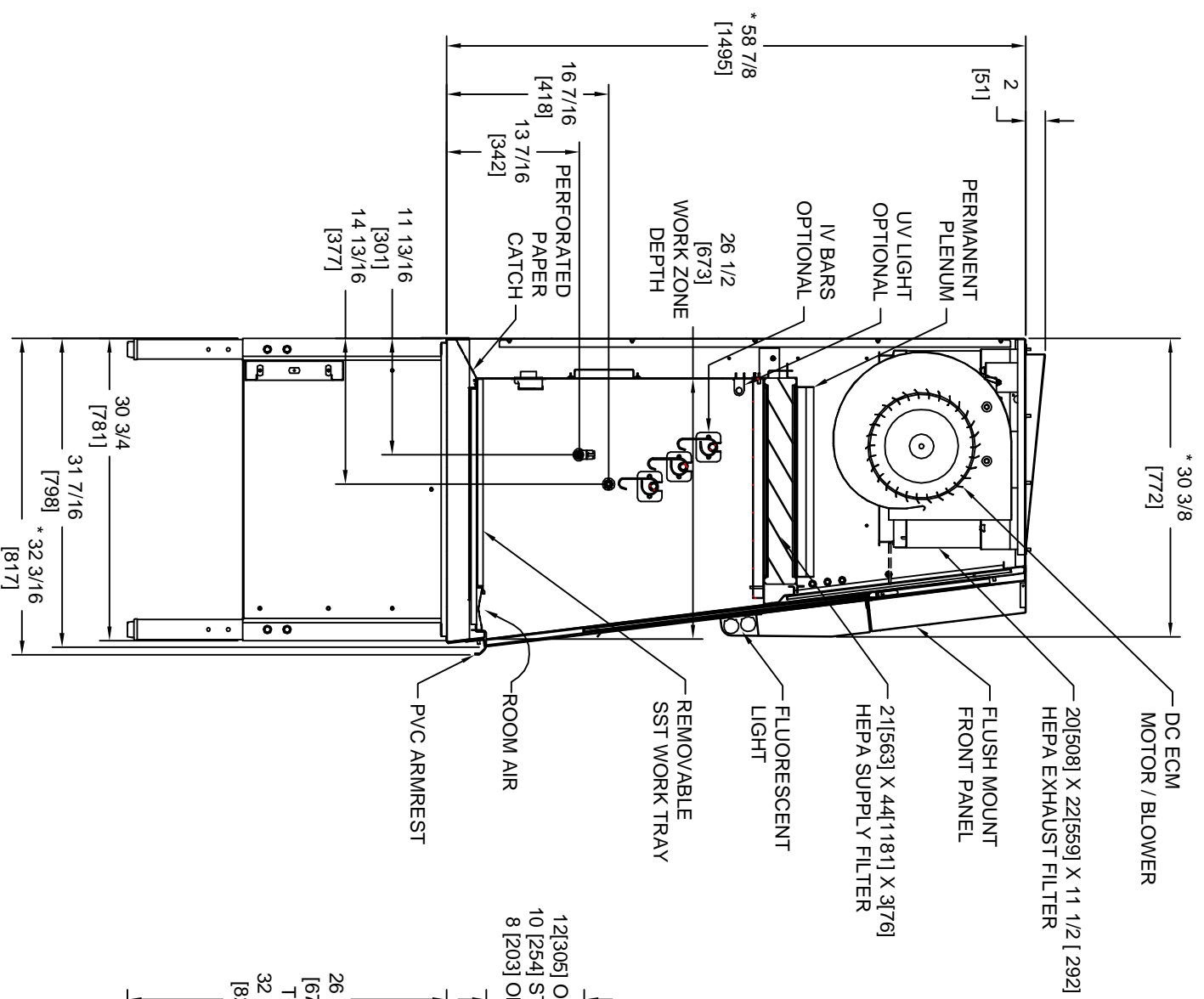
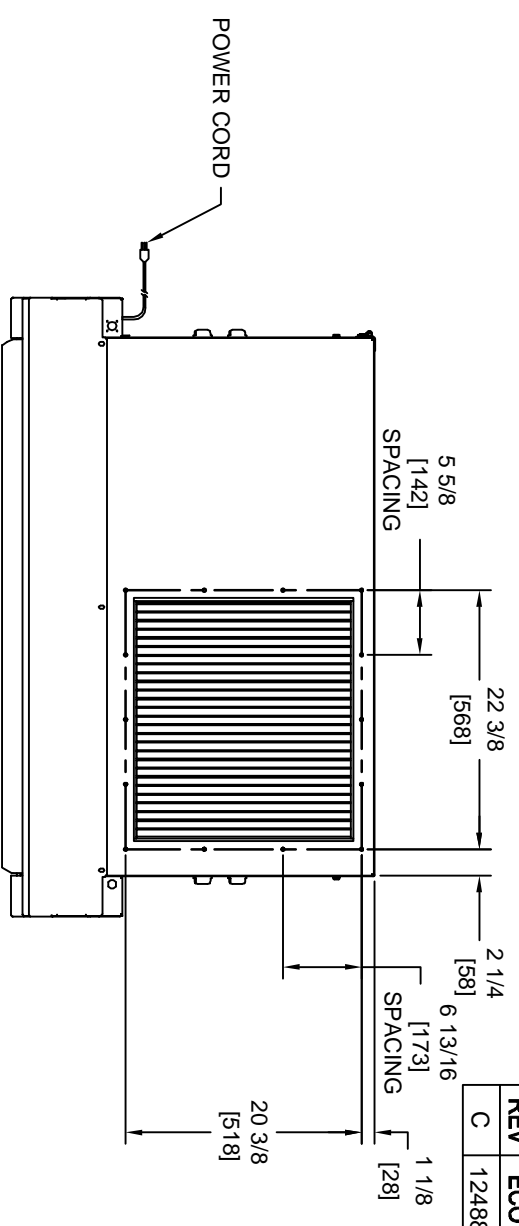


REV	ECO	DESCRIPTION	DATE	DRFT	CHKD
C	12488	UPDATED	10/01/14	LS	BP



* OVERALL DIMENSIONAL TOLERANCE ±1/4 [6.35]
 ALL OTHER DIMENSIONS ±1/8 [3.17]



NU-543-400
 CLASS II, TYPE A2 (ENERGY SAVER)
 BIOLOGICAL SAFETY CABINET

INCH
 MILLIMETER

DRAWING NUMBER **BCD-16373**

DFTM LS 10/15/2013 CHKD BP SHEET 1 OF 1

C