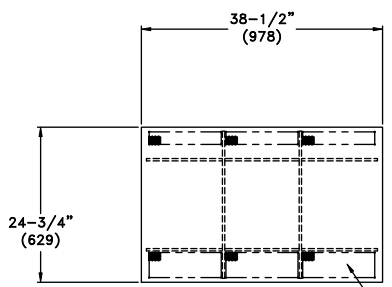
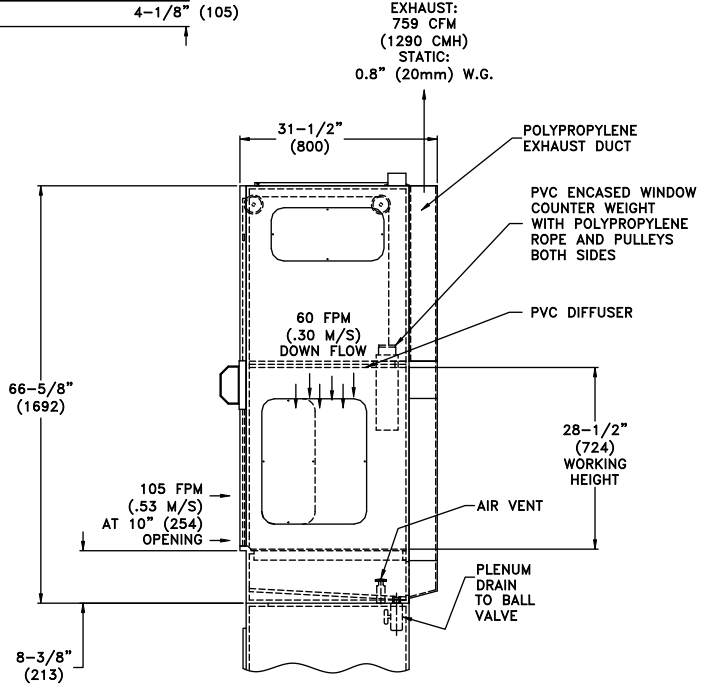
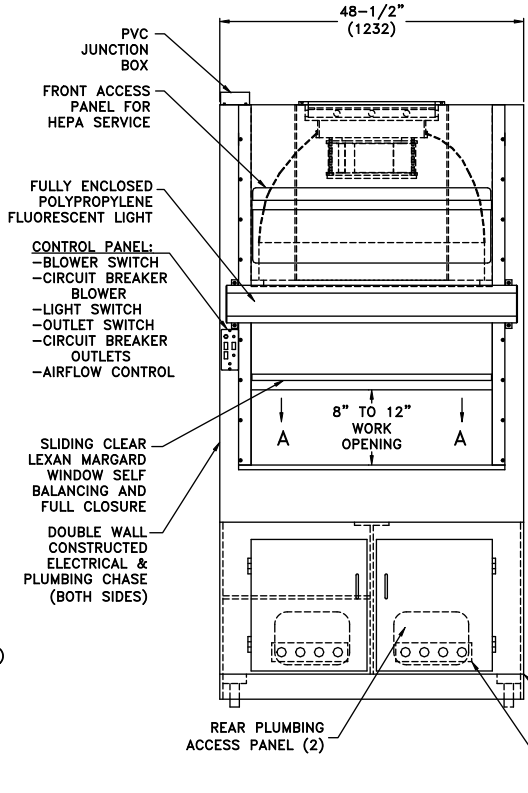
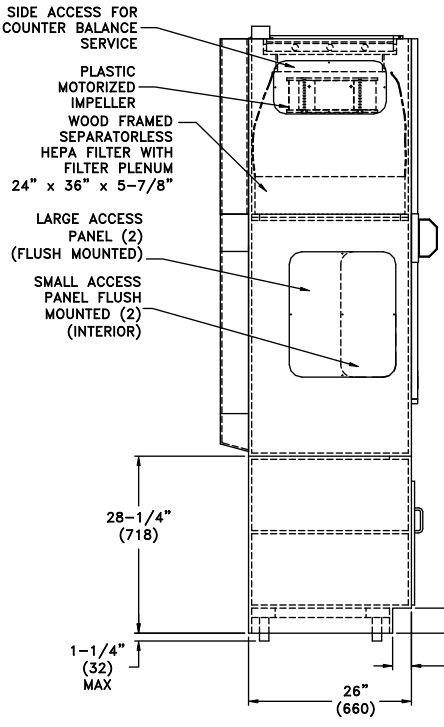
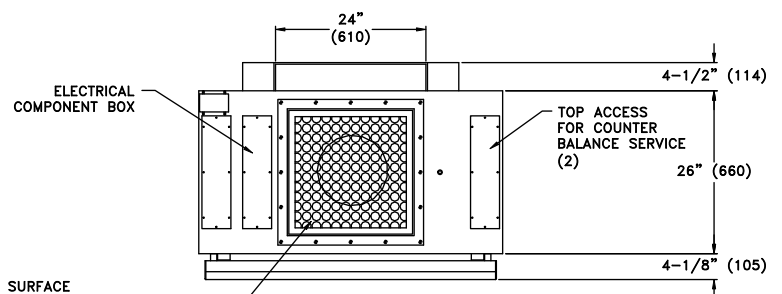


POWER SPECIFICATIONS:
 115V/60Hz SINGLE PHASE
 OUTLETS NOT TO EXCEED
 15 AMP TOTAL CIRCUIT



**VIEW A-A
 (WORK SURFACE)**

POLYPROPYLENE
 1/4 THK WORK SURFACE
 PERFORATED AT FRONT
 AND BACK 50% OPEN. 20 x 20 PREFILTER



UNLESS OTHERWISE SPECIFIED DIMENSIONS ARE IN INCHES -TOLERANCES- DECIMALS ±.063 ANGLES ±2°			
		NU-156-424 - BENCH TOP VERTICAL AIRFLOW FUME HOOD (HIGH ACID/CLEAN ROOM)	
DFTM		CHKD	BR
DRAWING NUMBER		BCD-00000	
		SHEET 1 OF 1	