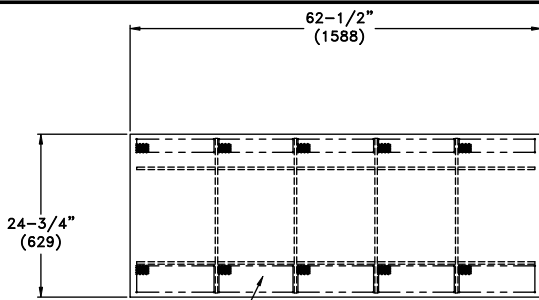
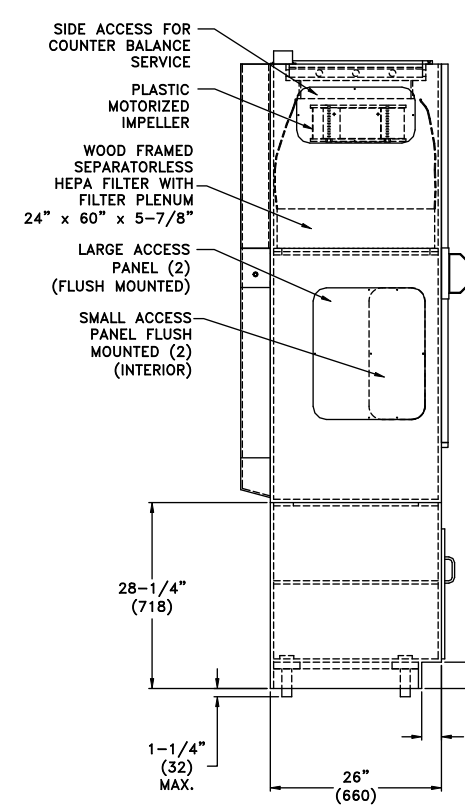


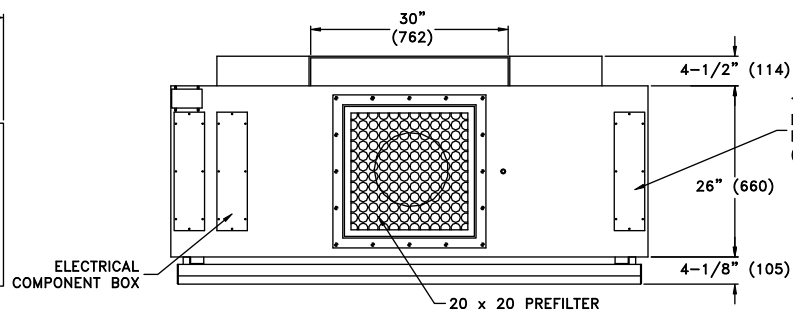
POWER SPECIFICATIONS:
 115V/60Hz SINGLE PHASE
 OUTLETS NOT TO EXCEED
 15 AMP TOTAL CIRCUIT



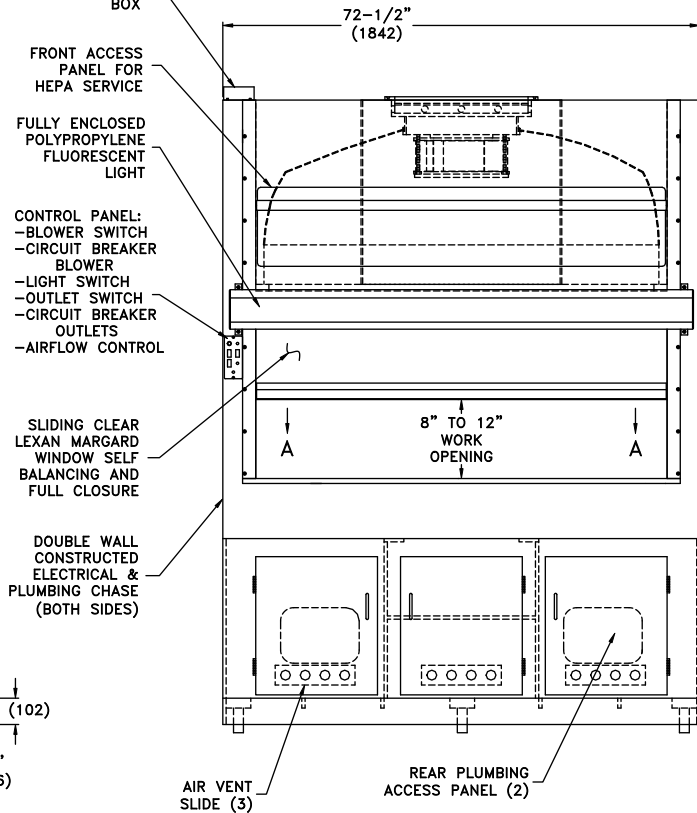
**VIEW A-A
 (WORK SURFACE)**



- POLYPROPYLENE 1/4 THK WORK SURFACE PERFORATED AT FRONT AND BACK 50% OPEN.
- SIDE ACCESS FOR COUNTER BALANCE SERVICE
- PLASTIC MOTORIZED IMPELLER
- WOOD FRAMED SEPARATORLESS HEPA FILTER WITH FILTER PLENUM 24" x 60" x 5-7/8"
- LARGE ACCESS PANEL (2) (FLUSH MOUNTED)
- SMALL ACCESS PANEL FLUSH MOUNTED (2) (INTERIOR)



- ELECTRICAL COMPONENT BOX
- PVC JUNCTION BOX

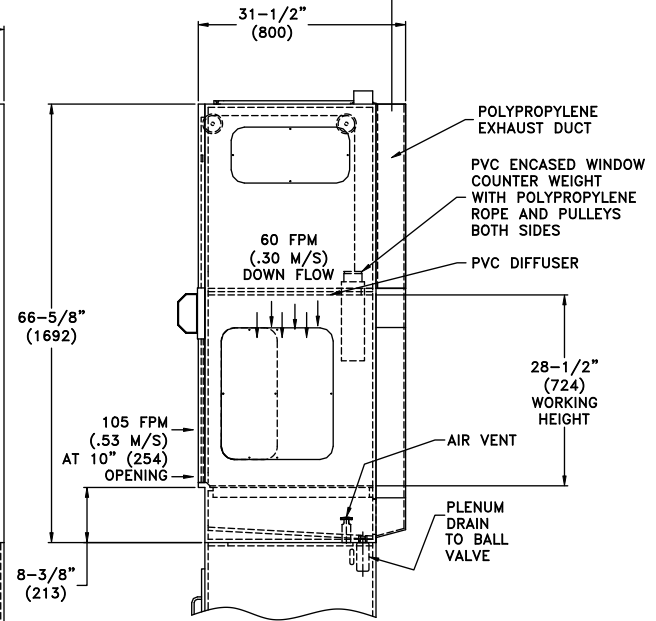


- FRONT ACCESS PANEL FOR HEPA SERVICE
- FULLY ENCLOSED POLYPROPYLENE FLUORESCENT LIGHT
- CONTROL PANEL:
 - BLOWER SWITCH
 - CIRCUIT BREAKER
 - LIGHT SWITCH
 - OUTLET SWITCH
 - CIRCUIT BREAKER OUTLETS
 - AIRFLOW CONTROL
- SLIDING CLEAR LEXAN MARGARD WINDOW SELF BALANCING AND FULL CLOSURE
- DOUBLE WALL CONSTRUCTED ELECTRICAL & PLUMBING CHASE (BOTH SIDES)

- AIR VENT SLIDE (3)
- REAR PLUMBING ACCESS PANEL (2)

- TOP ACCESS FOR COUNTER BALANCE SERVICE (2)

EXHAUST:
 1232 CFM
 (2093 CMH)
 STATIC:
 0.8" (20mm) W.G.



- POLYPROPYLENE EXHAUST DUCT
- PVC ENCASED WINDOW COUNTER WEIGHT WITH POLYPROPYLENE ROPE AND PULLEYS BOTH SIDES
- PVC DIFFUSER
- AIR VENT
- PLENUM DRAIN TO BALL VALVE

| | | | |
|---|---|------|----|
| UNLESS OTHERWISE SPECIFIED DIMENSIONS ARE IN INCHES -TOLERANCES- DECIMALS ±.063 ANGLES ±2° | | | |
| | NU-156-624 | | |
| | BENCHTOP VERTICAL AIRFLOW FUME HOOD (HIGH ACID/CLEAN ROOM) | | |
| | DFTM | CHKD | BR |
| DRAWING NUMBER | BCD-00000 | | - |