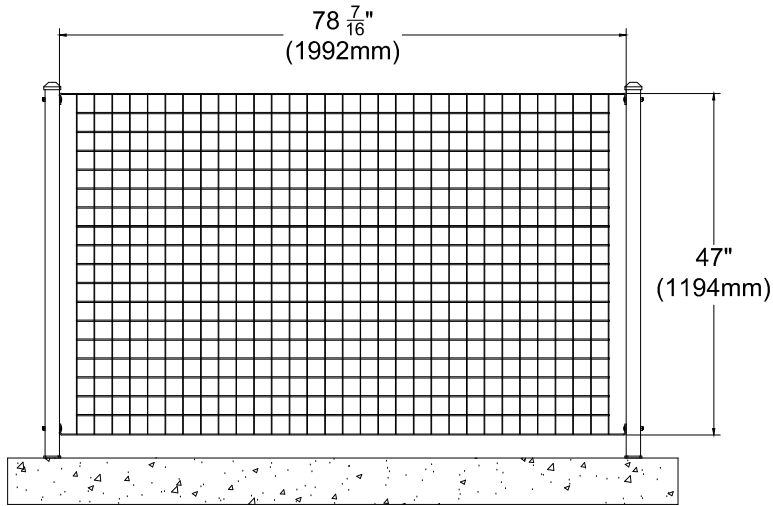
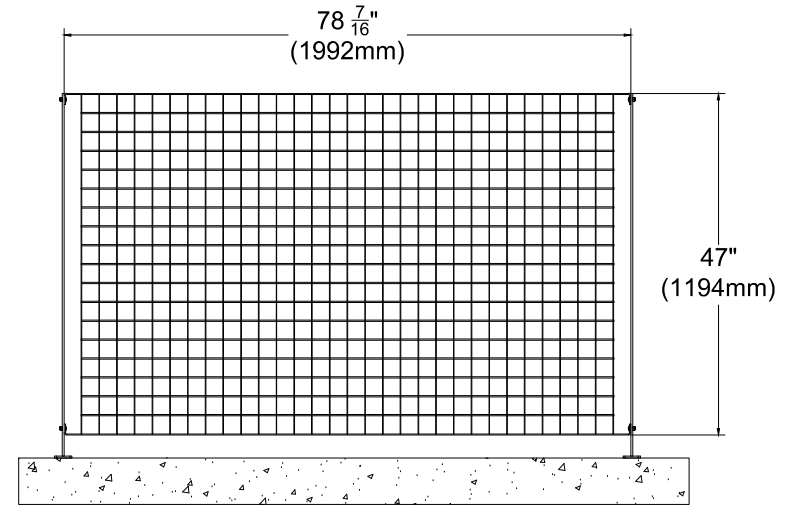


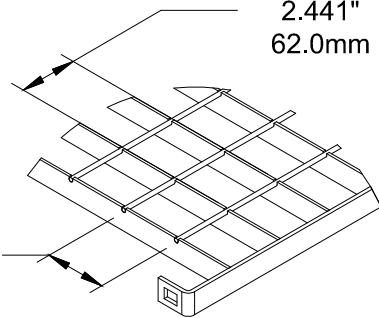
PANEL 4'H ON SQUARE POSTS



PANEL 4'H ON FLAT POSTS



C/C
2.441"
62.0mm



C/C
2.60"
66.0mm

HORIZONTAL WIRES: 6GA (Ø4.88mm)
 FRAME: 1" x 9GA (25mmX4mm)
 FLAT VERTICAL BARS: 1" x 14GA (25mmX2mm)

PANEL HEIGHT	NUMBER OF BOLTS (3/8") KITS PER POST	NUMBER OF ATTACHMENT PER PANELS (C-GSA)
47"H (1194 mm)	2	0

FOR FURTHER PANEL INFORMATION,
PLEASE SEE SPECIFICATIONS.