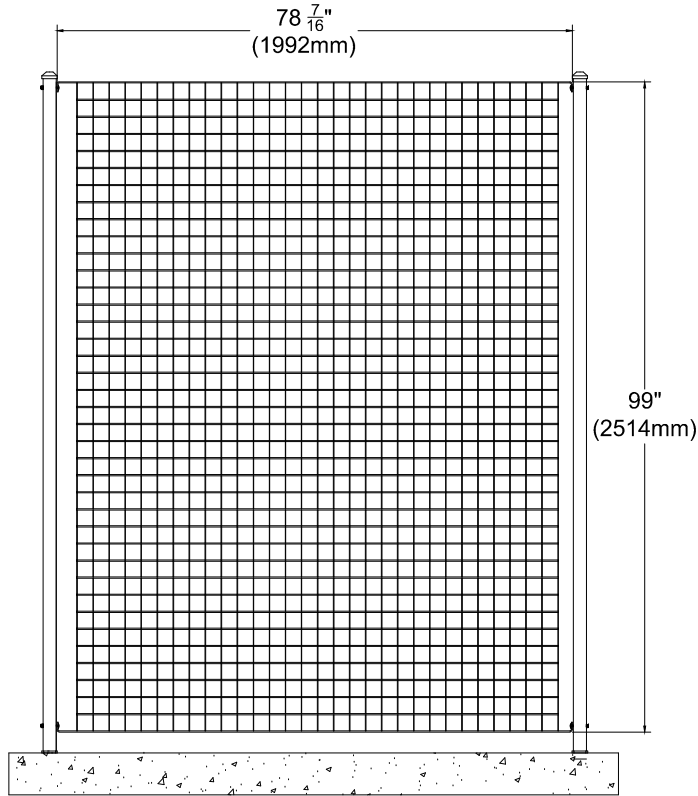
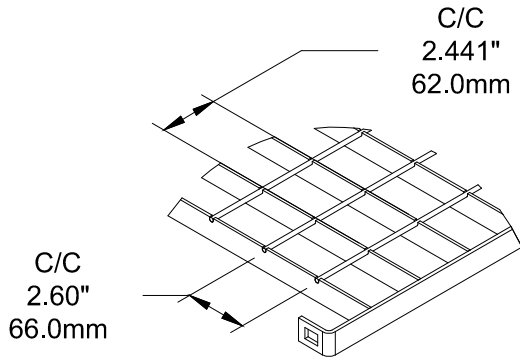
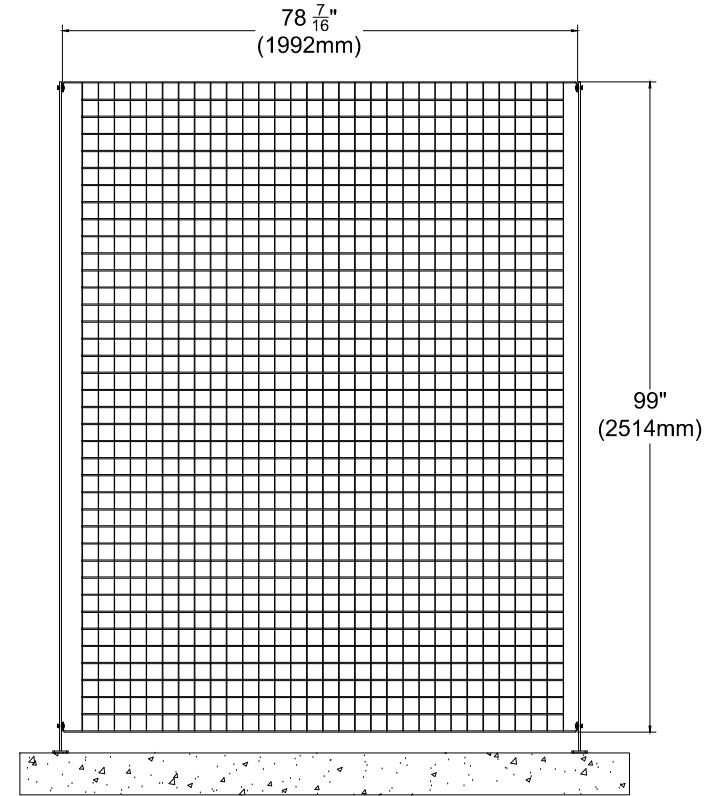


PANEL 8'H ON SQUARE POSTS



PANEL 8'H ON FLAT POSTS



HORIZONTAL WIRES: 6GA (Ø4.88mm)
 FRAME: 1" x 9GA (25mmX4mm)
 FLAT VERTICAL BARS: 1" x 14GA (25mmX2mm)

PANEL HEIGHT	NUMBER OF BOLTS (3/8") KITS PER POST	NUMBER OF ATTACHMENT PER PANELS (C-GSA)
99"H (2514 mm)	3	2

FOR FURTHER PANEL INFORMATION,
 PLEASE SEE SPECIFICATIONS.