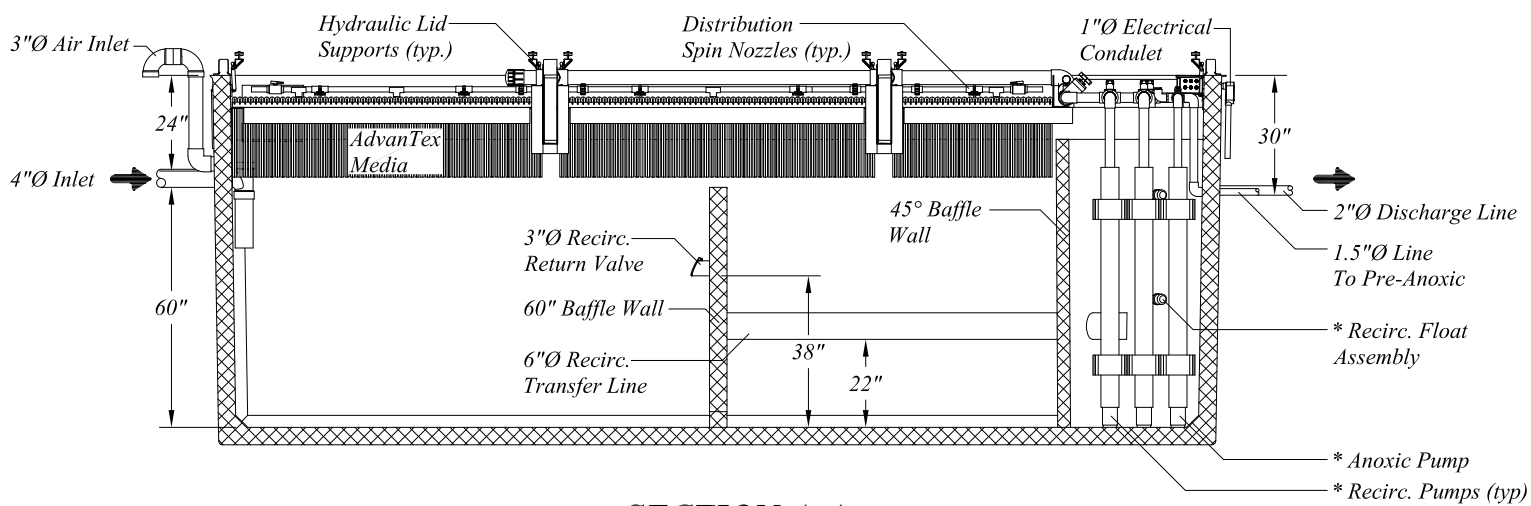
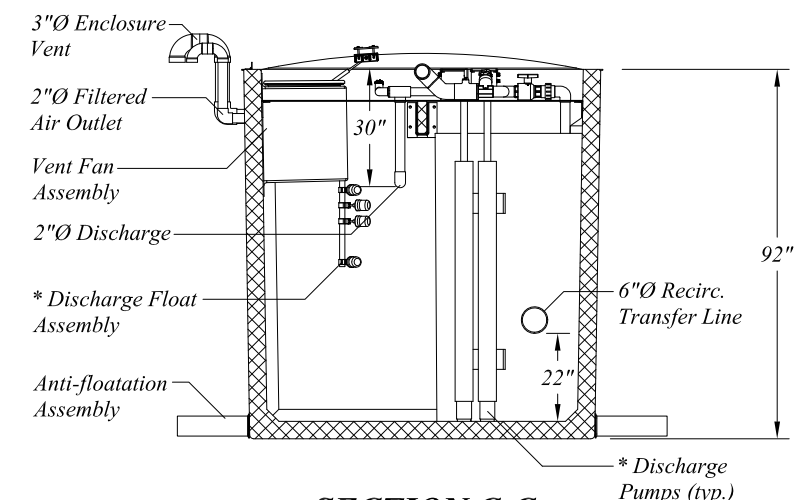


SECTION B-B



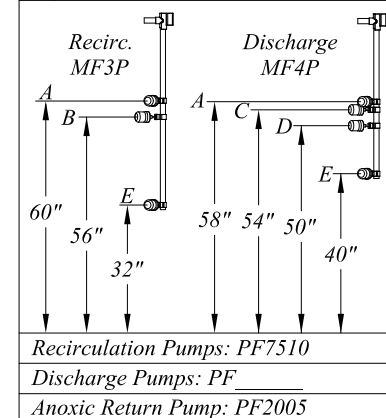
SECTION A-A



SECTION C-C

* Float Functions & Pump Index

A	High Level Alarm / Lag Enable
B	Override Timer
C	Pump ON
D	Pump OFF
E	Redundant Off / Low Level Alarm



Customer Approval

Signature: _____ Date: _____

Customer Name: _____

By this signature, Customer indicates that they have reviewed this Proposed System Configuration Drawing and found that it meets all of the designer's functional requirements and/or specifications.