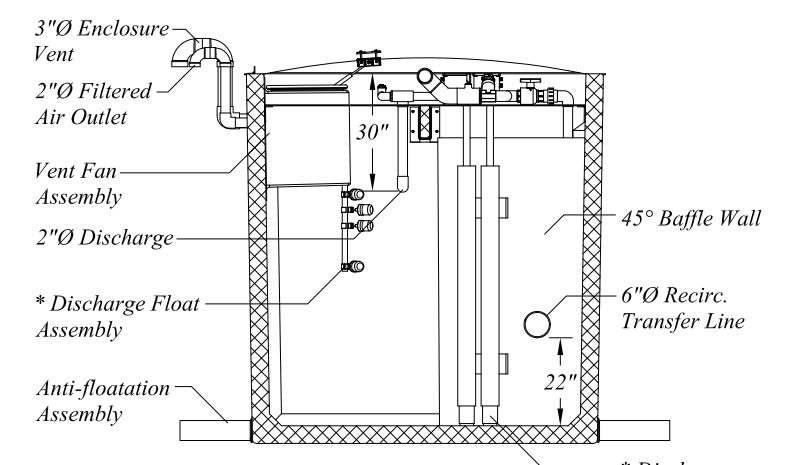
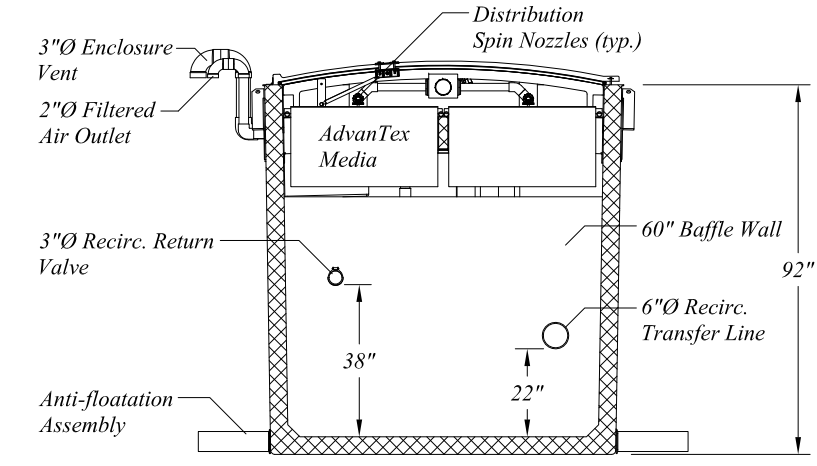
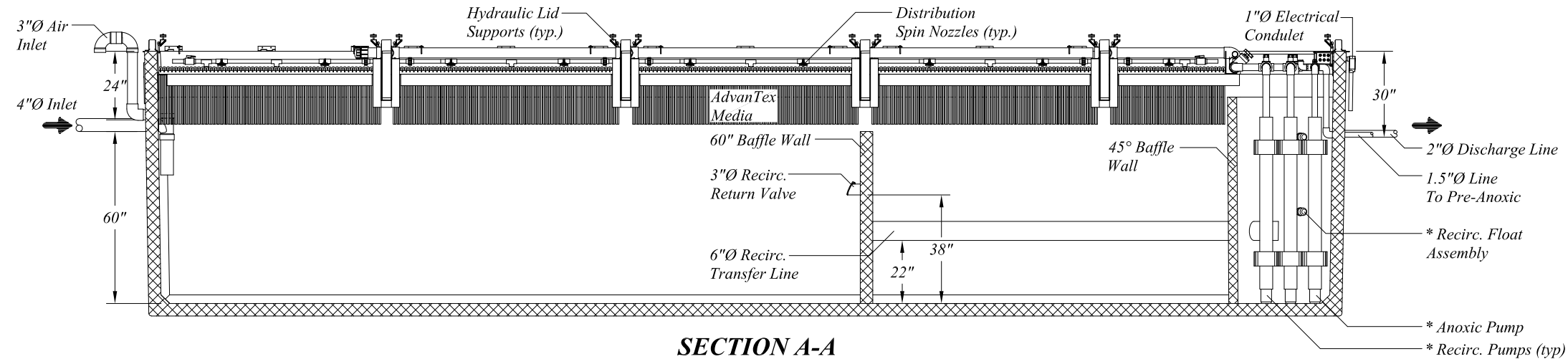


*** Float Functions & Pump Index**

A	High Level Alarm / Lag Enable
B	Override Timer
C	Pump ON
D	Pump OFF
E	Redundant Off / Low Level Alarm

Recirculation Pumps: PF7510
 Discharge Pumps: PF
 Anoxic Return Pump: PF2005



Customer Approval
 Signature: _____ Date: _____
 Customer Name: _____
 By this signature, Customer indicates that they have reviewed this Proposed System Configuration Drawing and found that it meets all of the designer's functional requirements and/or specifications.



© Orenco Systems, Inc.
 Portions or all of this Proposed System Configuration Drawing, as appropriate, may be reproduced and integrated into the site-specific layout and configuration of a system by its designer.

Disclaimer: This Proposed System Configuration Drawing is provided solely as a design aid and illustrates one possible configuration of a system that would comply with Orenco's design criteria for the requirements and/or specifications that have been communicated to Orenco (based on third-party standards testing protocols and performance reports, as applicable). Design decisions, including the actual layout and configuration of the system and its viability for the project, are at the sole discretion of the systems's designer.

AdvanTex AX-Max225-35
System Details

Drawn By:	BEN SMITH	Scale:	1" = 4'-0"
Reviewed By:	CSJ / NTB	Sheet:	1 OF 1
File Name:	MAX225-35.DWG	Rev:	1.2
		Date:	12/29/2016