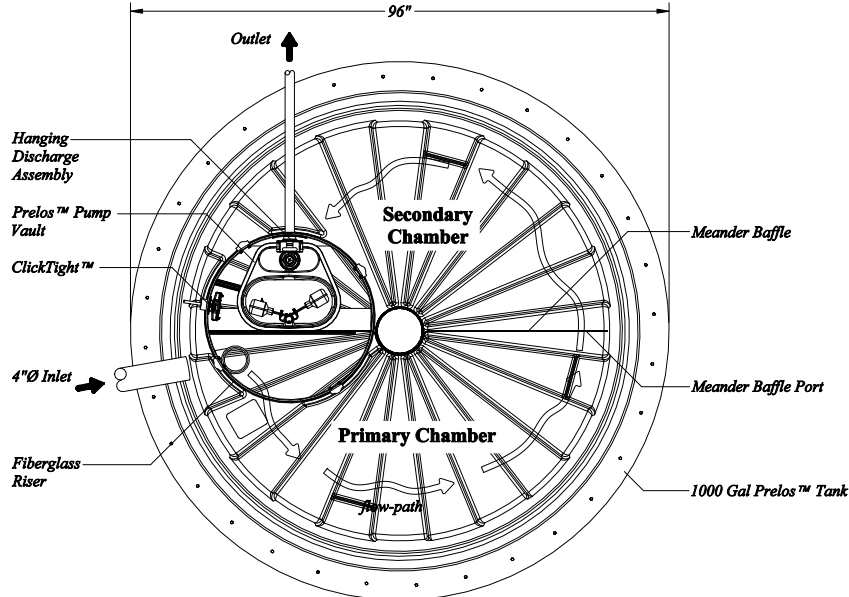


**General Notes:**

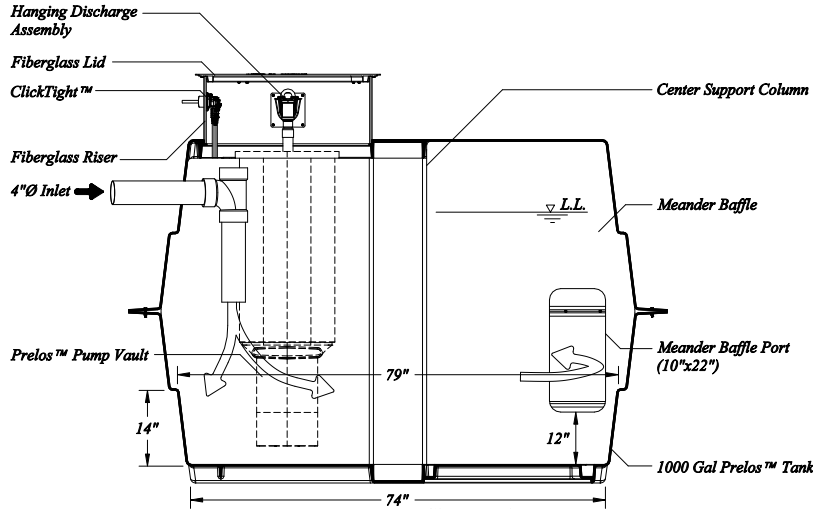
**Tank Volumes:** Total Volume: 1223 gal±  
 Operating Volume: 1006 gal± @ 48"  
 Unit volume at typical Operating Depth : .20 gal/in.±

**Installation:** Installation, bedding, compaction, etc., shall be in "strict" compliance with the manufacturers standards and state or local rules and or guidelines. All tanks shall be set level on a minimum 4 inch thick compacted sand or approved granular bedding overlying a firm uniform base. The base shall be stable and uniform in order to ensure equal bearing across the tank bottom. Installations with 18 inches or less of ground cover may require additional buoyancy considerations as described in the manufacturers instructions. A minimum cover of 12 inches is required over the tank in areas subject to occasional light wheel loads.

**Test:** Tanks shall be tested and certified watertight per manufacturers recommendations and or any prevailing rules or guidelines, whichever is more restrictive.

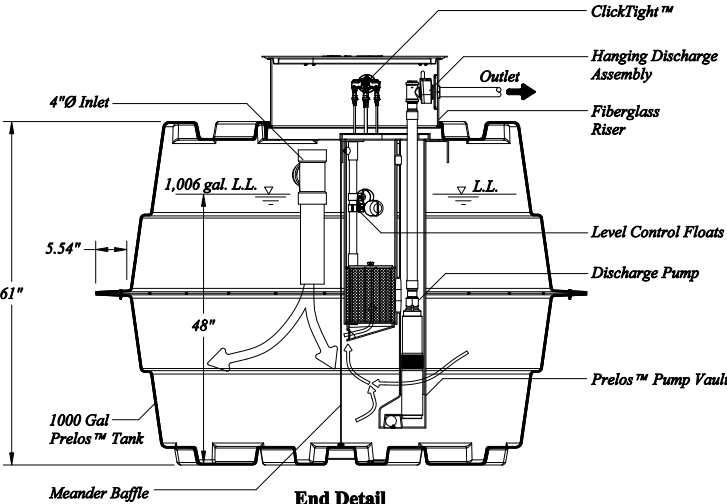


**Top Detail**  
 Scale: 1" = 2'-0"



**Side Detail**  
 Scale: 1" = 2'-0"

Inside Height Inches	Total Gallons
60	1217
54	1124
48	1006
42	881
36	744
30	601
24	460
18	324
12	200
6	83
0	0



**End Detail**  
 Scale: 1" = 2'-0"



© Orenco Systems, Inc.  
 Portions or all of this Proposed System Configuration Drawing, as appropriate, may be reproduced and integrated into the site-specific layout and configuration of a system by its designer.

**Disclaimer:** This Proposed System Configuration Drawing is provided solely as a design aid and illustrates one possible configuration of a system that would comply with Orenco's design criteria for the requirements and/or specifications that have been communicated to Orenco (based on third-party standards testing protocols and performance reports, as applicable). Design decisions, including the actual layout and configuration of the system and its viability for the project, are at the sole discretion of the systems's designer.

Orenco Prelos™ Processor

DESIGN AID

Drawn By: CSJ	Scale: 1" = 2'-0"
Reviewed By: TB	Sheet: 1 OF 1
File Name: DR-Prelos-1000-DA.dwg	Rev: 1.4 Date: 2/27/20