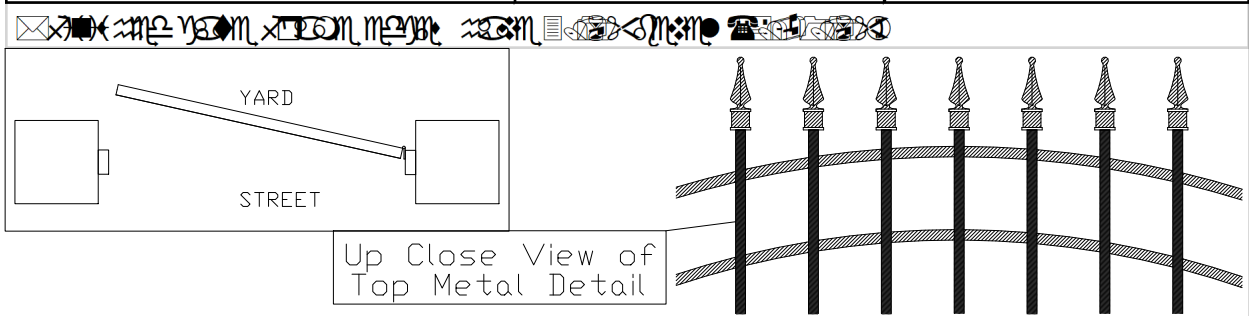


NOTE: CAN BE CUSTOMIZED

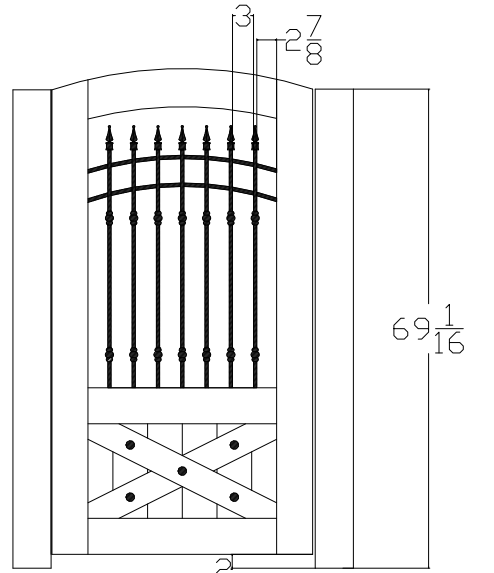
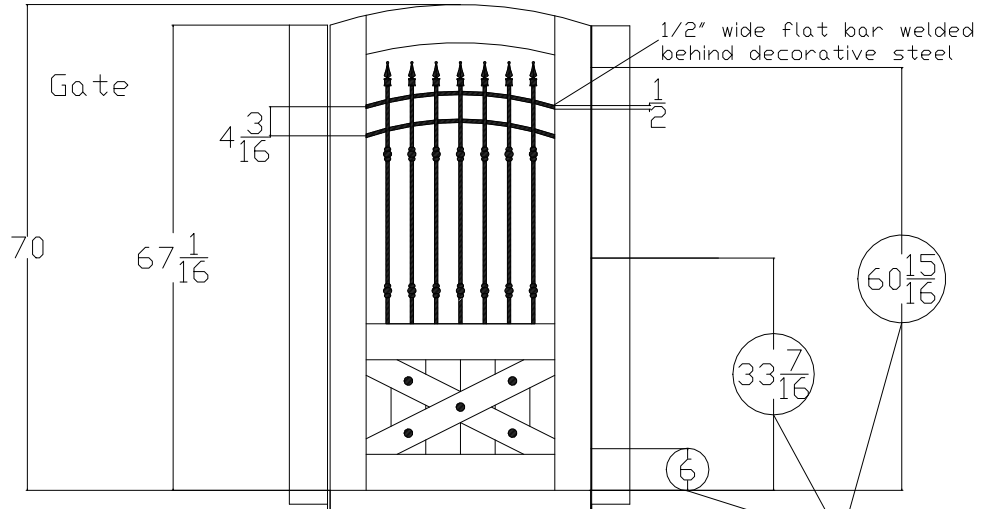
Gate Frame Thickness(in)	Slat Thickness(in)	Gate Swings Toward
		← →



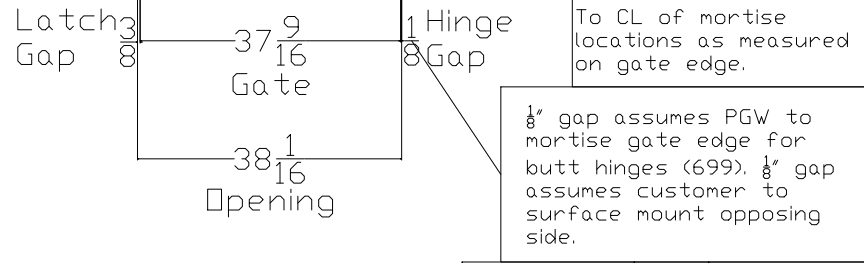
Up Close View of Top Metal Detail

Yard View

Street View



Ground Clearance



Drawing # 1336382

REV	DATE	DESCRIPTION	APPROVED	SHEET	Tolerances:
4/20/2017	B	Old World Archtop	TEE	1 of 2	Height: +3/16, - 1/2in Thickness: +/- 1/16in Width: +/- 1/8

Alison Van Hoy