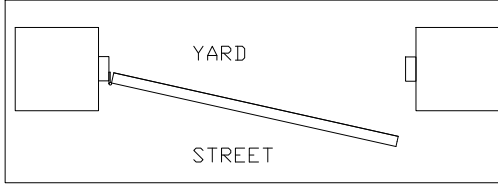
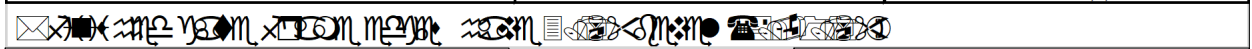


NOTE: CAN BE CUSTOMIZED

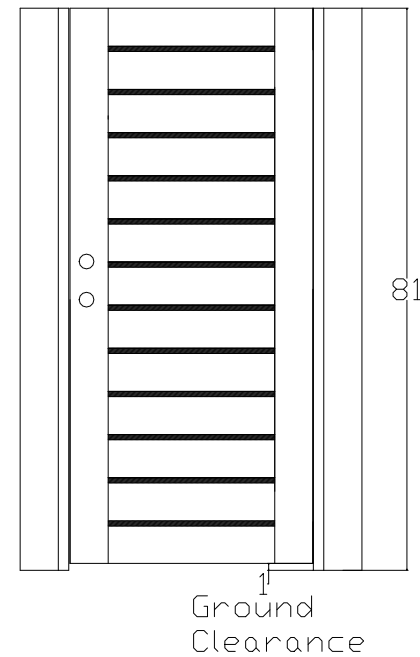
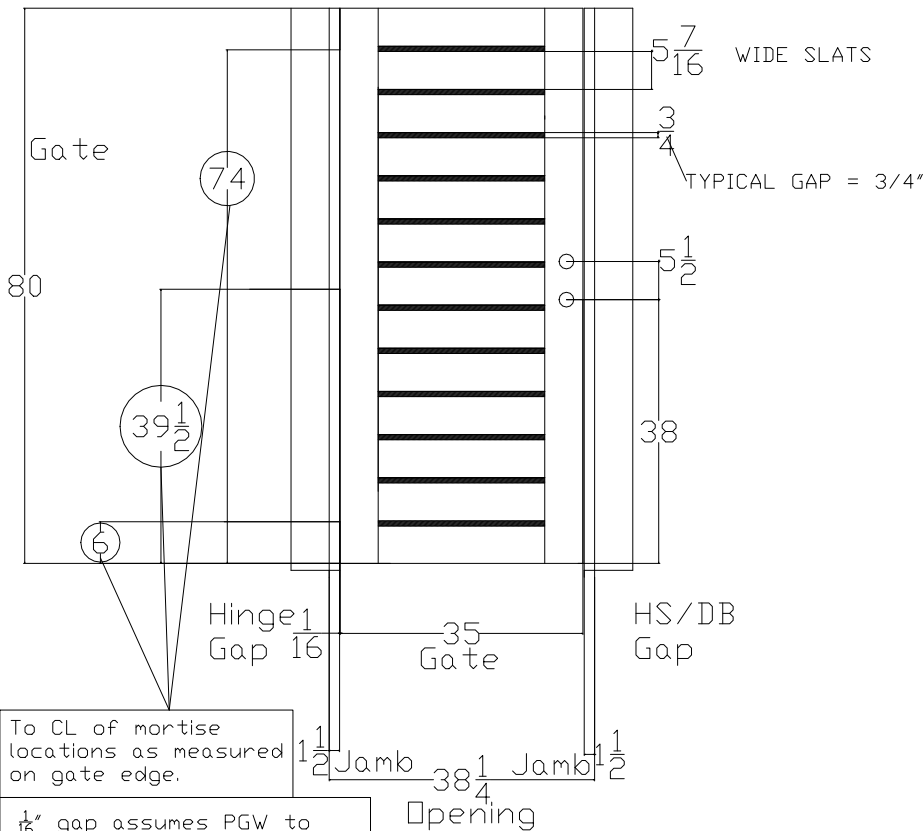


PGW to prep gate for HS / DB.
SEE PAGE 3.
Customer to confirm dimensions for
accuracy and compatibility.

2-3/8" Backset
2-1/8" Main Bore
1" Cross Bore
Square Corner Mortise

Street View

Yard View



To CL of mortise locations as measured on gate edge.

1/8" gap assumes PGW to mortise gate edge and jamb for butt hinges (2002).

Drawing # 1338390

REV DATE	REV	DESCRIPTION	APPROVED	SHEET	Tolerances: Height: +3/16, - 1/2in Thickness: +/- 1/16in Width: +/- 1/8
11/1/17	C	Monterey Style Flattop	TEE	1 of 3	

Alison Van Hoy