

ASSEMBLY INSTRUCTIONS FOR ADJUSTABLE STAIRS

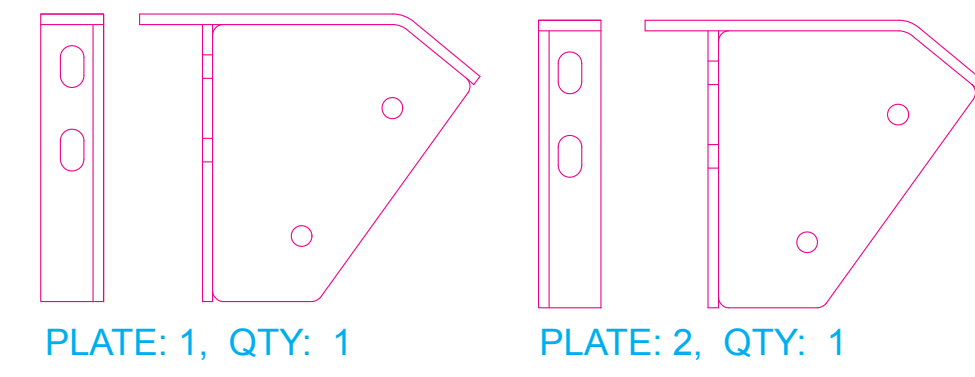
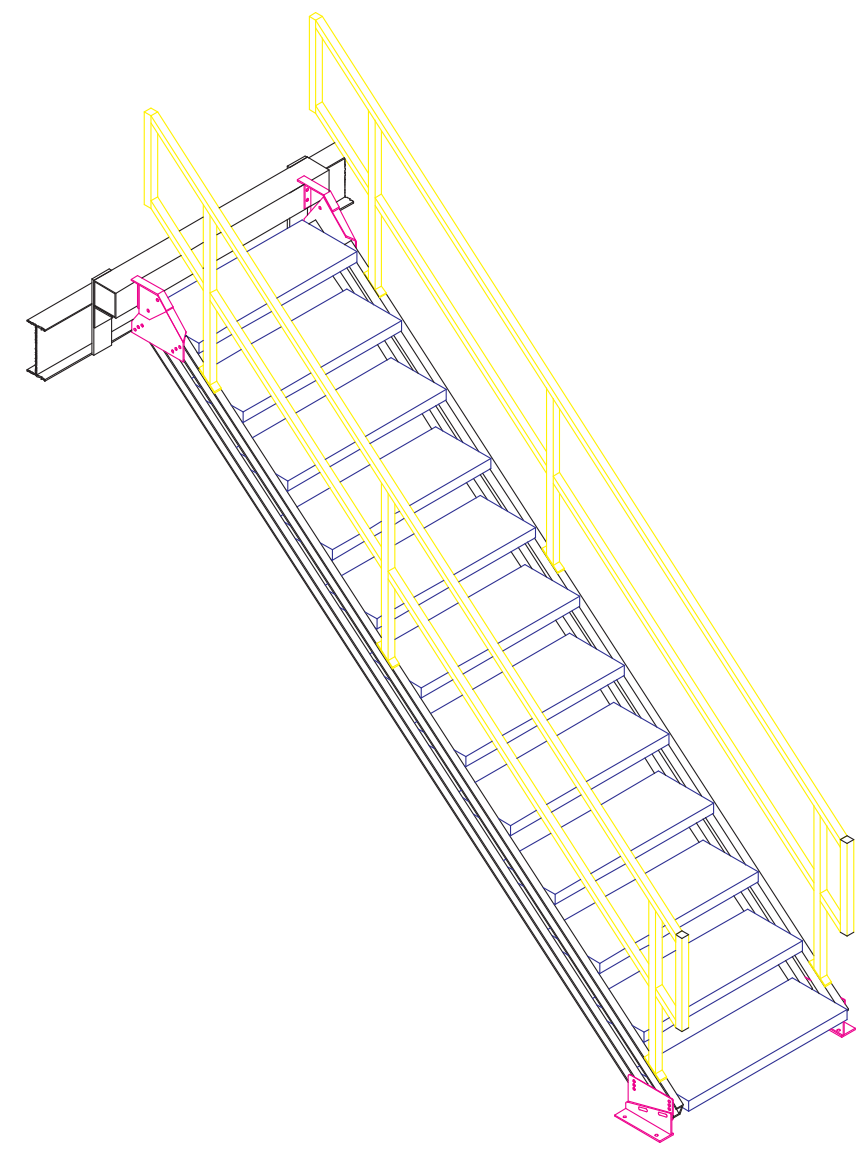


PLATE: 1, QTY: 1

PLATE: 2, QTY: 1

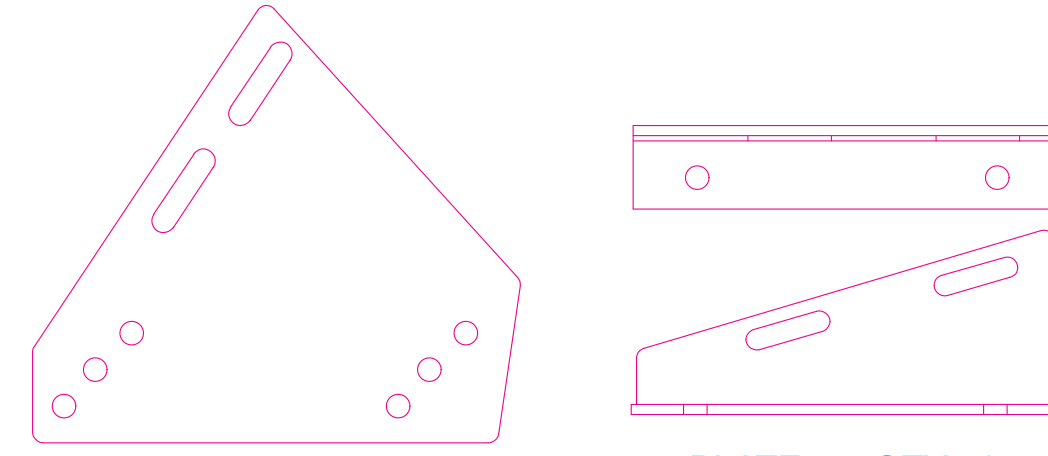


PLATE: 3, QTY: 2

PLATE: 4, QTY: 1

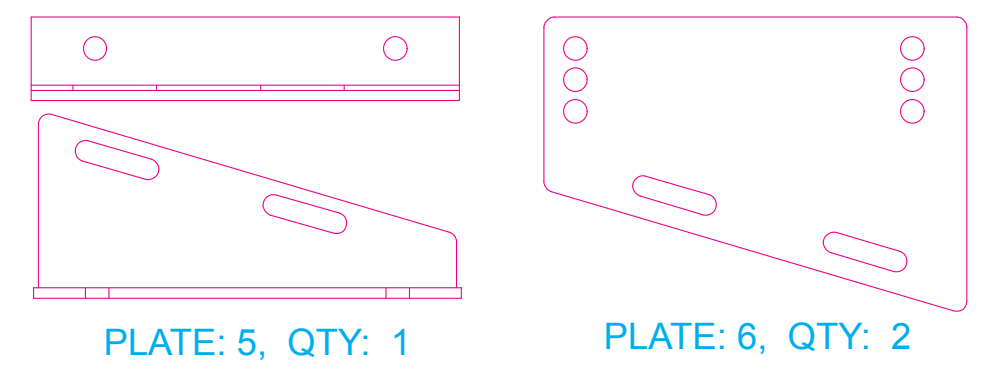


PLATE: 5, QTY: 1

PLATE: 6, QTY: 2

1. Accurately measure the height of the stairs (the exact distance from the top of the floor to the top of the landing) to determine how many treads you will need. You must first check with OSHA, or other local codes. IT IS THE RESPONSIBILITY OF THE INSTALLER TO KNOW AND APPLY THE PROPER CODES WHEN INSTALLING THESE STAIRS.
2. Normally the desired rise of each tread falls between 6" and 9" high. Lets assume you are looking for just under a 7" rise. Take the results of instruction number one, which is the height, and divide by 7. (lets assume the height to be 120").
3. The actual number of steps is 18, however you will need only 17 treads to get 18 steps because the top platform becomes the 18th step. (see figure #1)

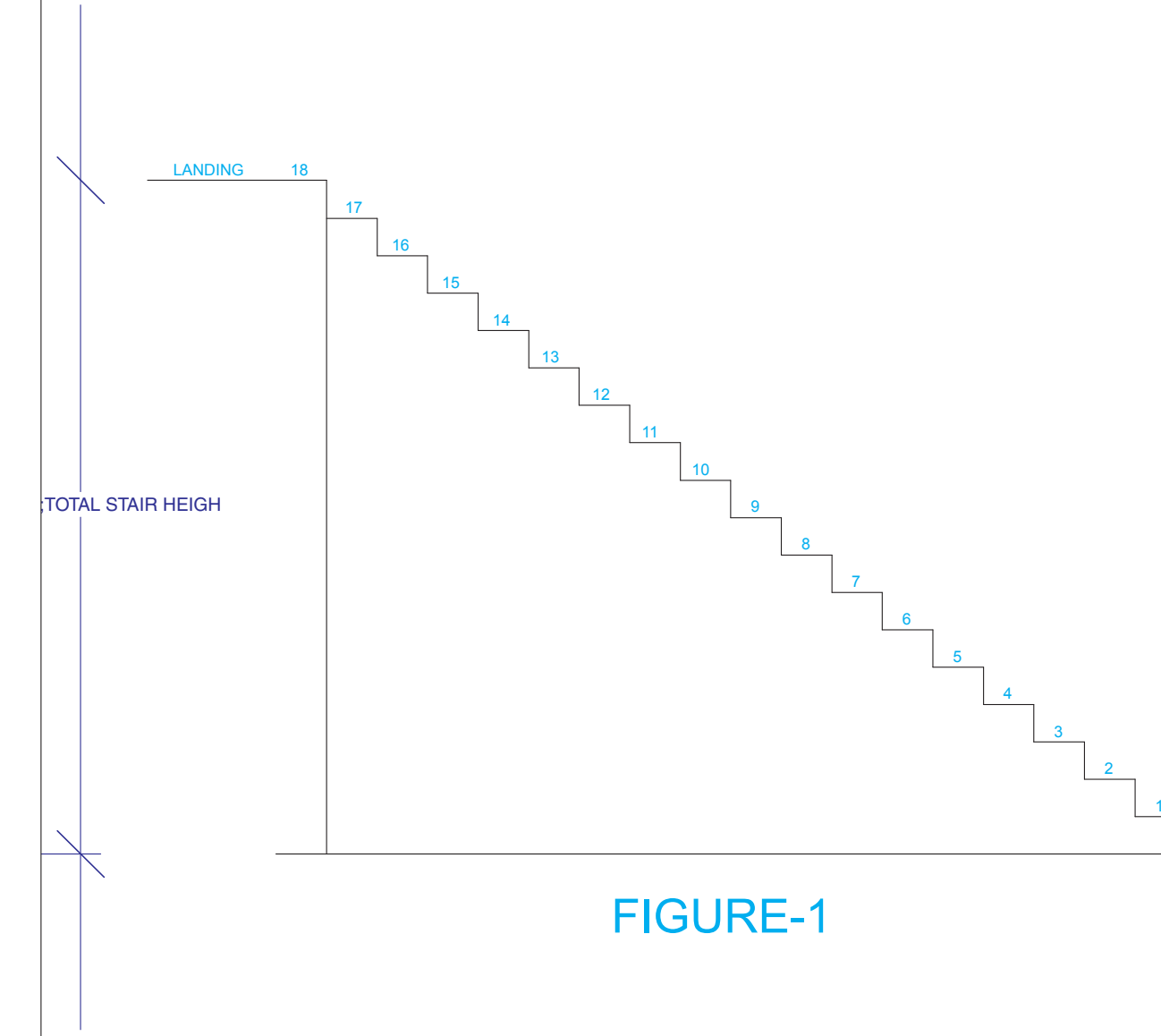


FIGURE-1

4. Familiarize yourself with the components of the stair system, and compare the physical parts to the drawings. (see figure #2 & plate drawings)

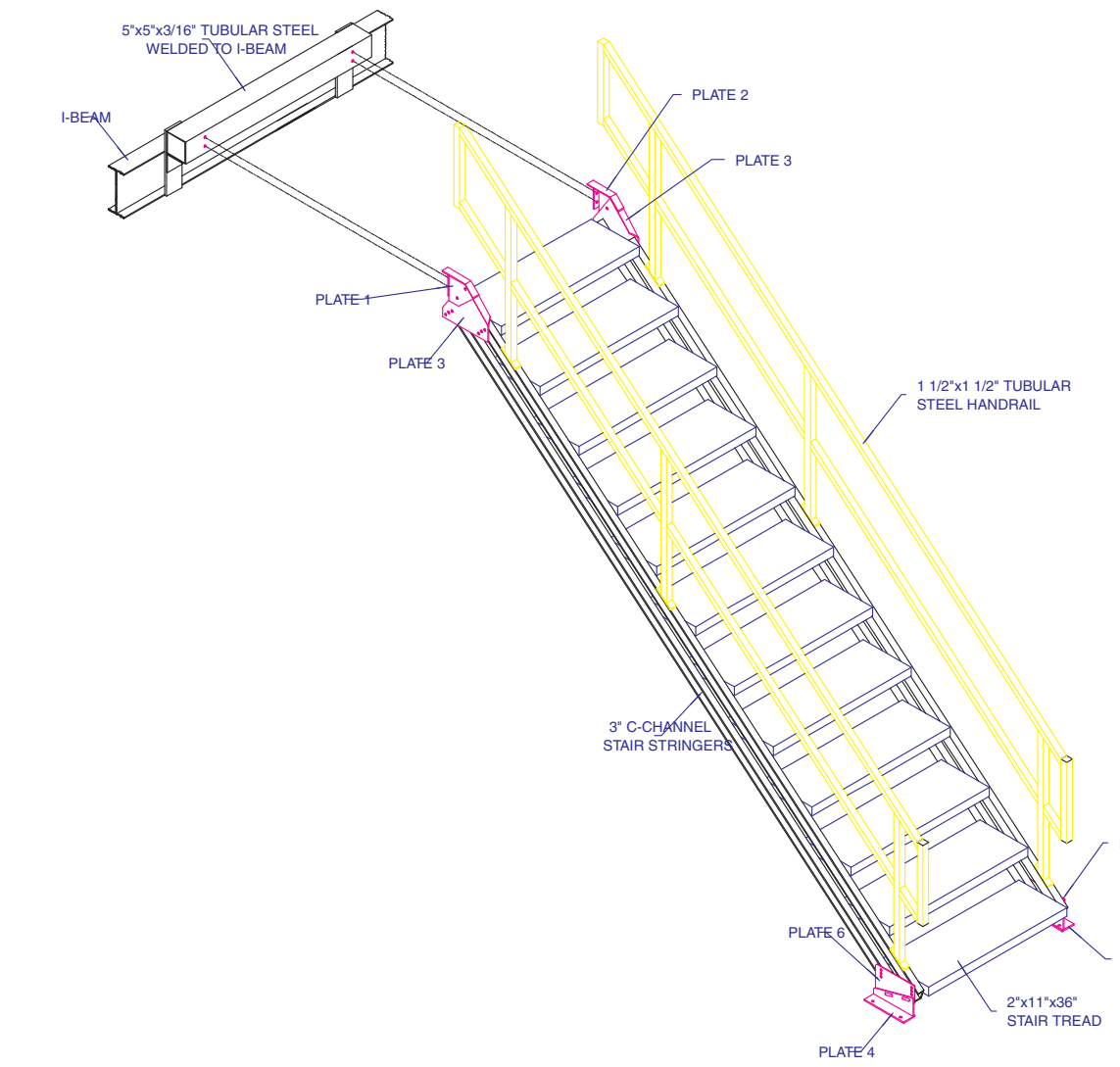


FIGURE-2

5. TOP ADJUSTING PLATES:
Attach plates 1 and 2 to the 5"x5"x3/16" tubular steel using 3/8"x1 1/2" bolts with nut washer & lock washer. Plate 1 on the left side & plate 2 on the right side.

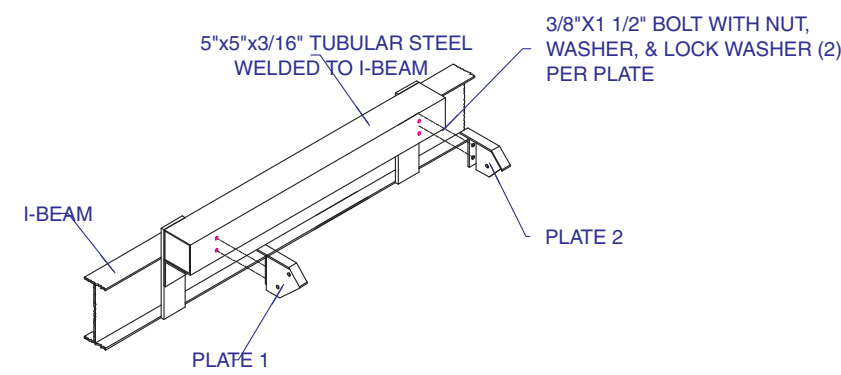


FIGURE-3

6. Loosely bolt plates 3 to plates 1 & 2 using 3/8"x1 1/2" bolts w/ nut washer & lock washer. Attach stringers (3" C-Channel), open side away from treads, and one tread to the inside of plates 3 using 3/8"x2" fully threaded bolts w/ nut, washer & lock washer. Now by sliding plates 3 set your tread to the desired rise. (See figure #4)

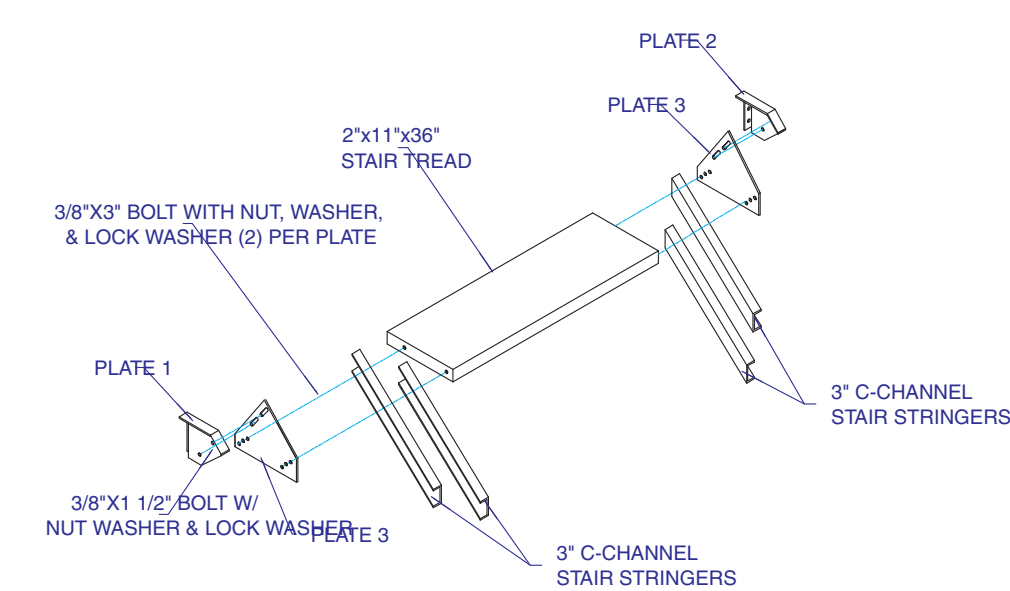


FIGURE-4

7. BOTTOM ADJUSTING PLATES:
Attach plates 4 & 6 (6 to the inside of 4), 5 & 6 (6 to the inside of 5) using 3/8"x1 1/2" bolts, w/ nut washer & lock washer. Attach the stringer and bottom tread using 3/8"x2" fully threaded bolts, w/ nut washer & lock washer to the inside, of plates 6. Set the rise equal to the top. Anchor plates 5 & 6 to the floor using 1/2"x4 1/4" wedge anchors. (See figure 6)

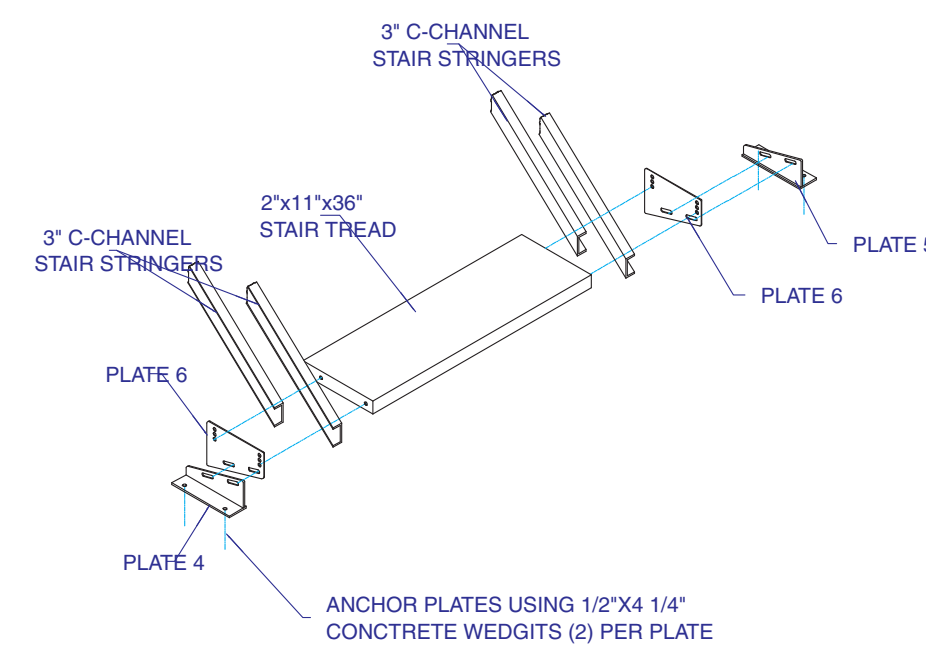


FIGURE-5

8. Add all remaining treads using 3/8"x1 1/2" bolts w/ nut washer & lock washer. (See figure #5)

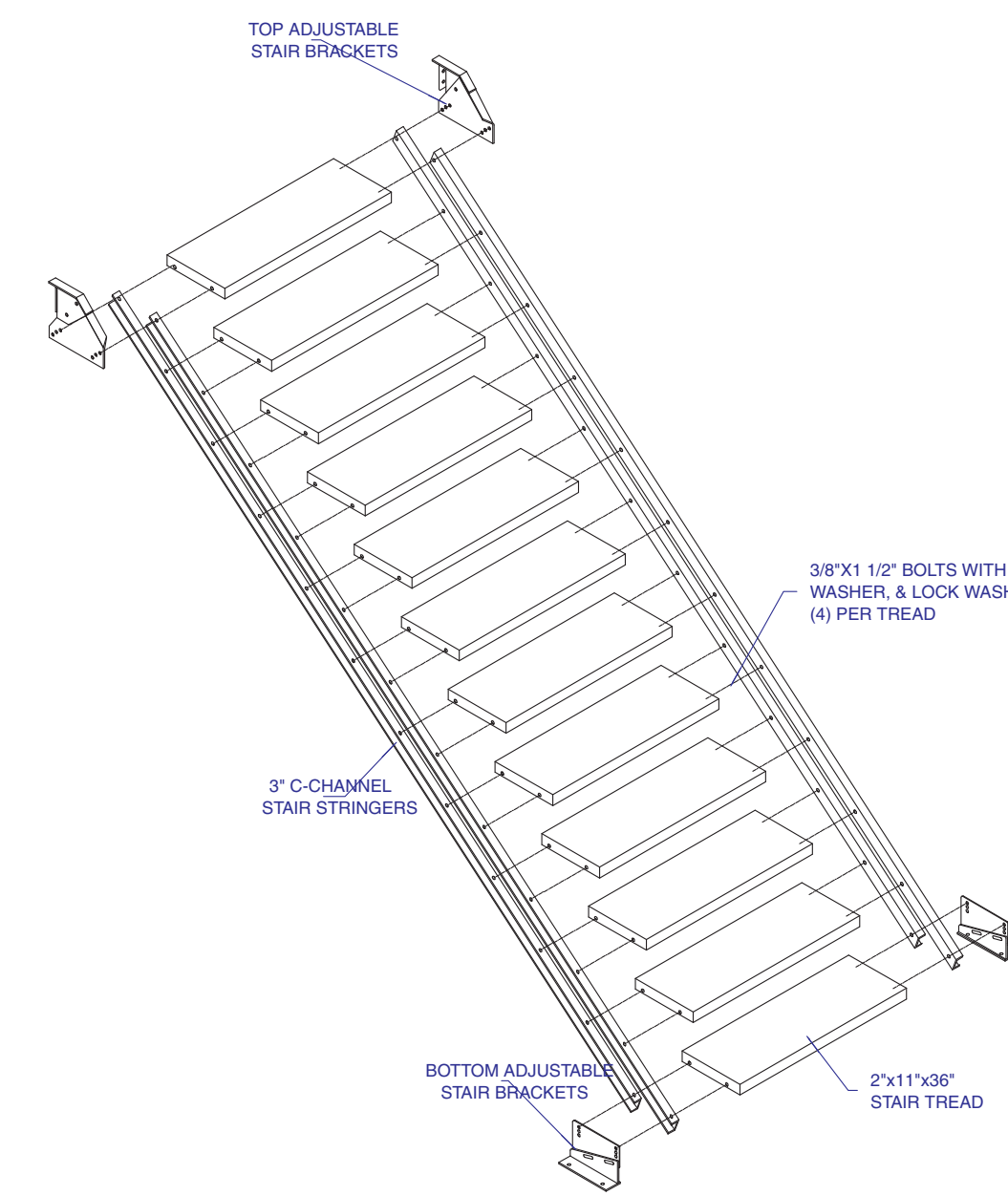


FIGURE-6

9. Attach handrail to stringer using 3/8"x1 1/2" bolt, w/ nut washer & lock washer. (see figure #7)

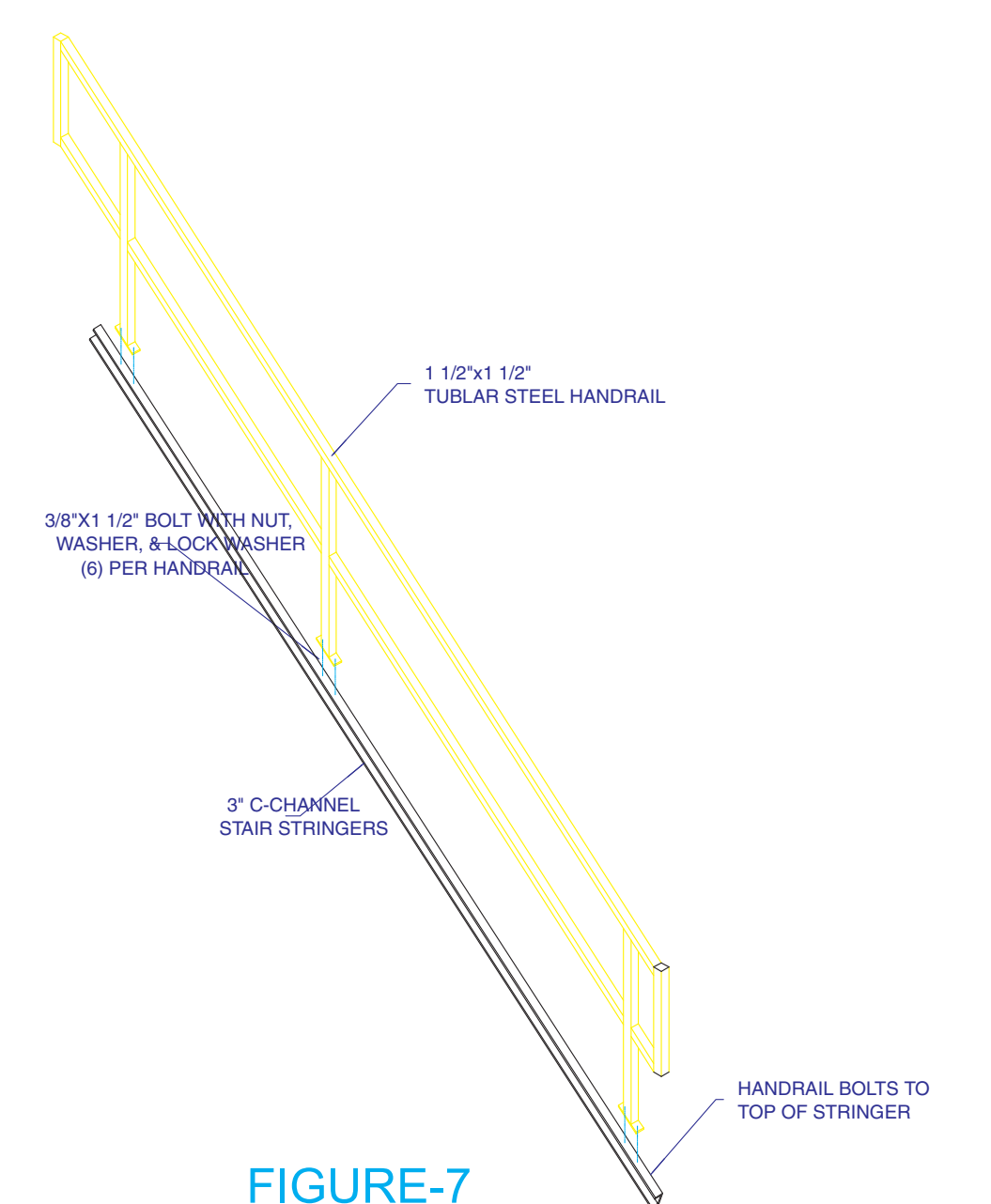


FIGURE-7