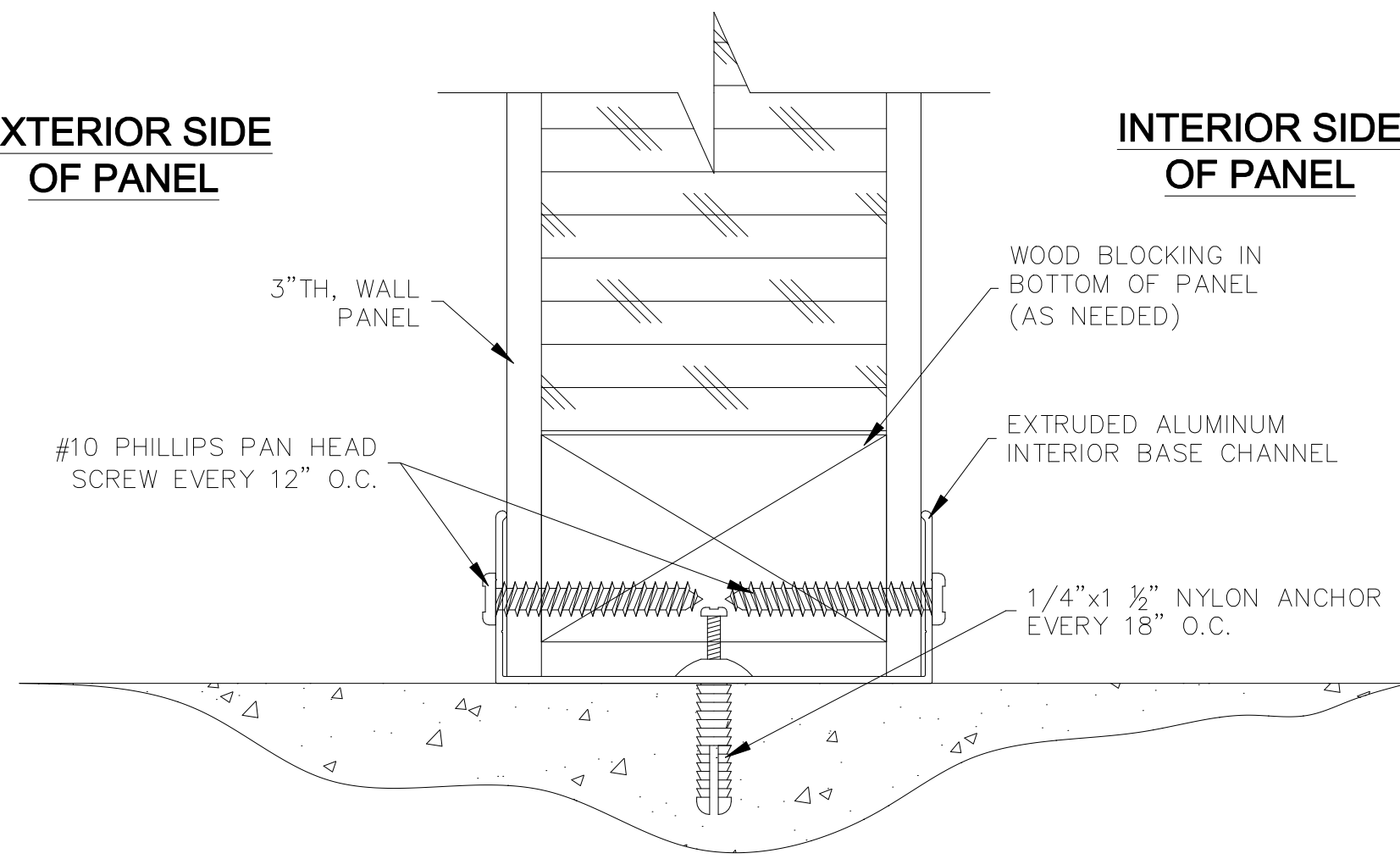
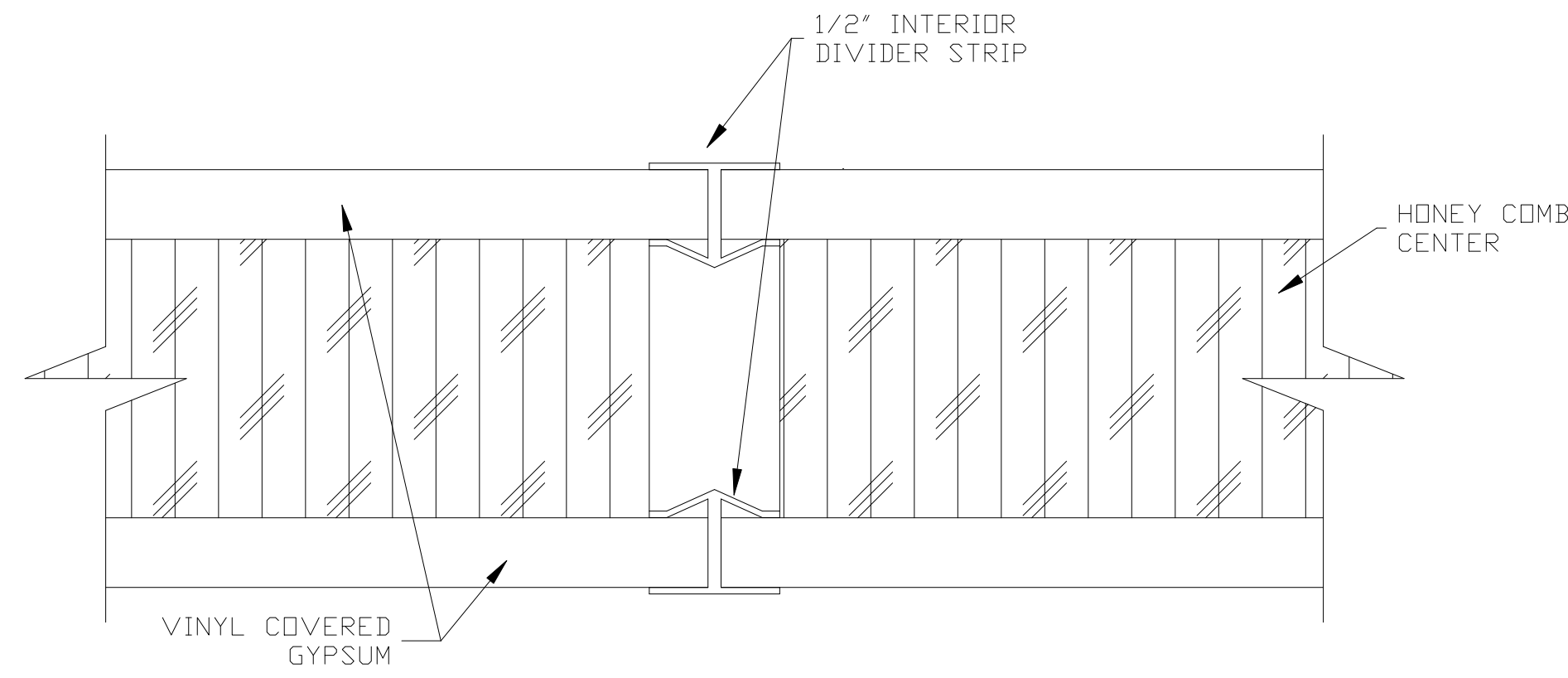


EXTERIOR SIDE OF PANEL

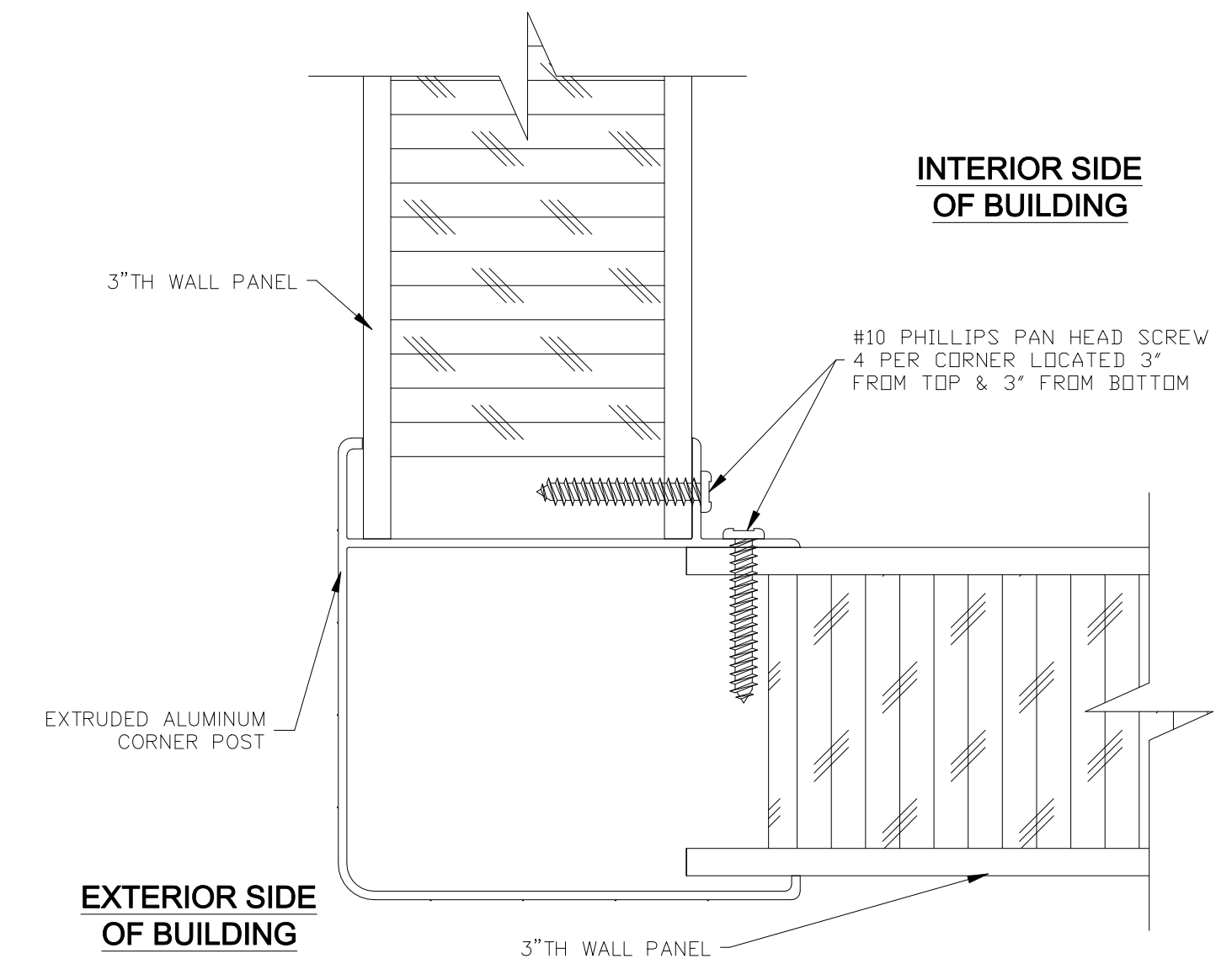
INTERIOR SIDE OF PANEL



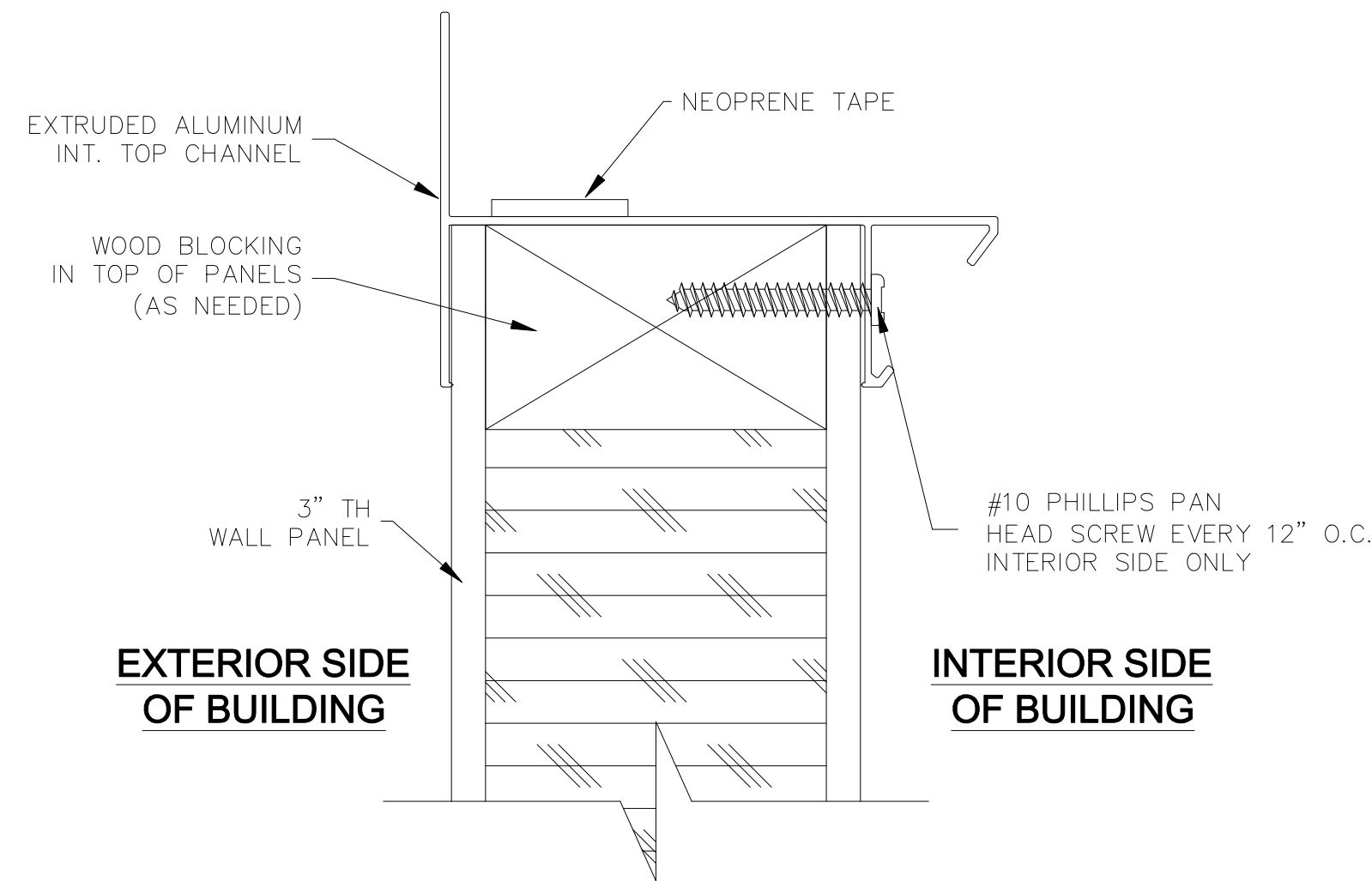
INTERIOR BASE CHANNEL TO CONCRETE ATTACHMENT



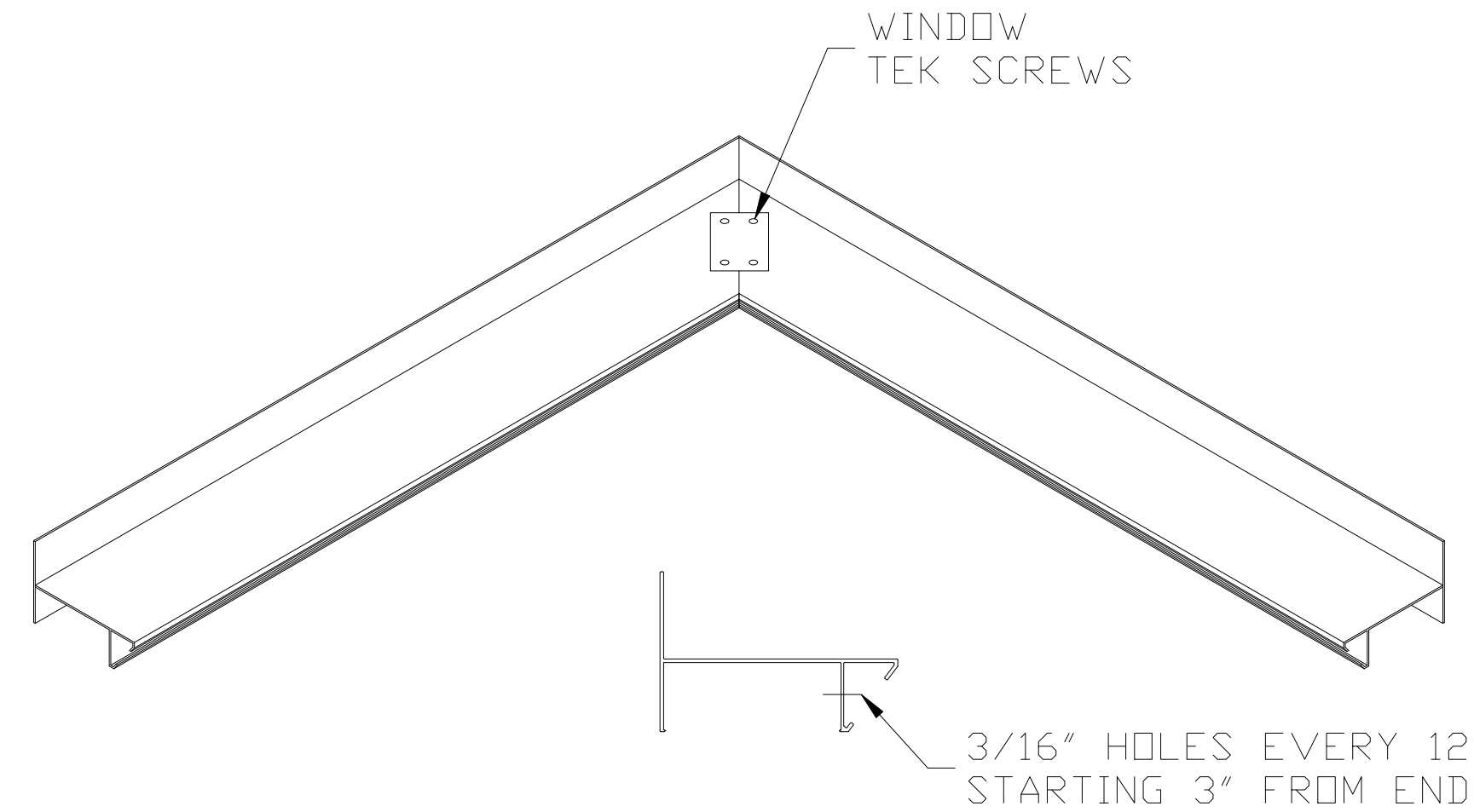
GYPSUM/GYPSUM WALL JOINT



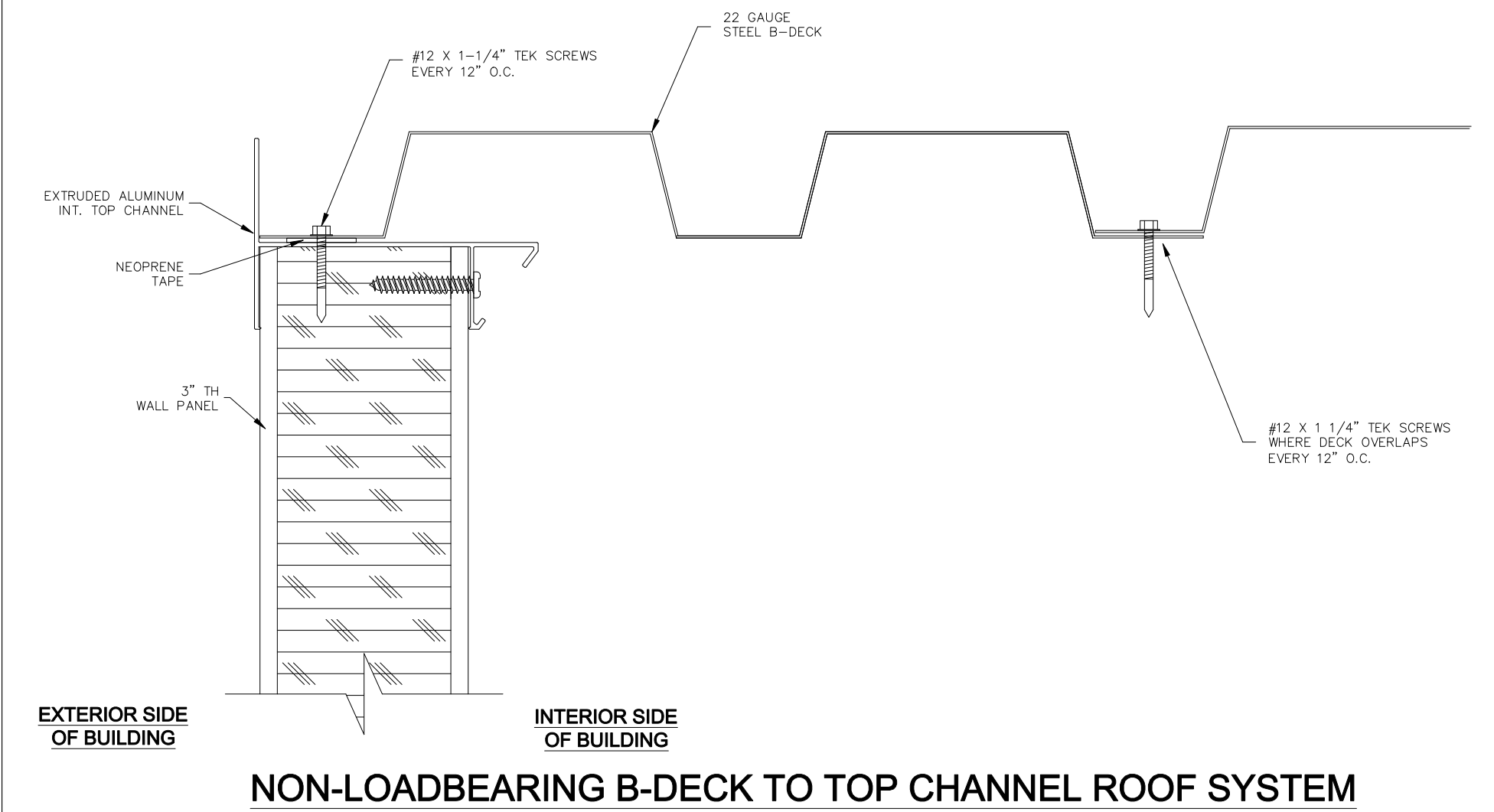
CORNER POST ATTACHMENT



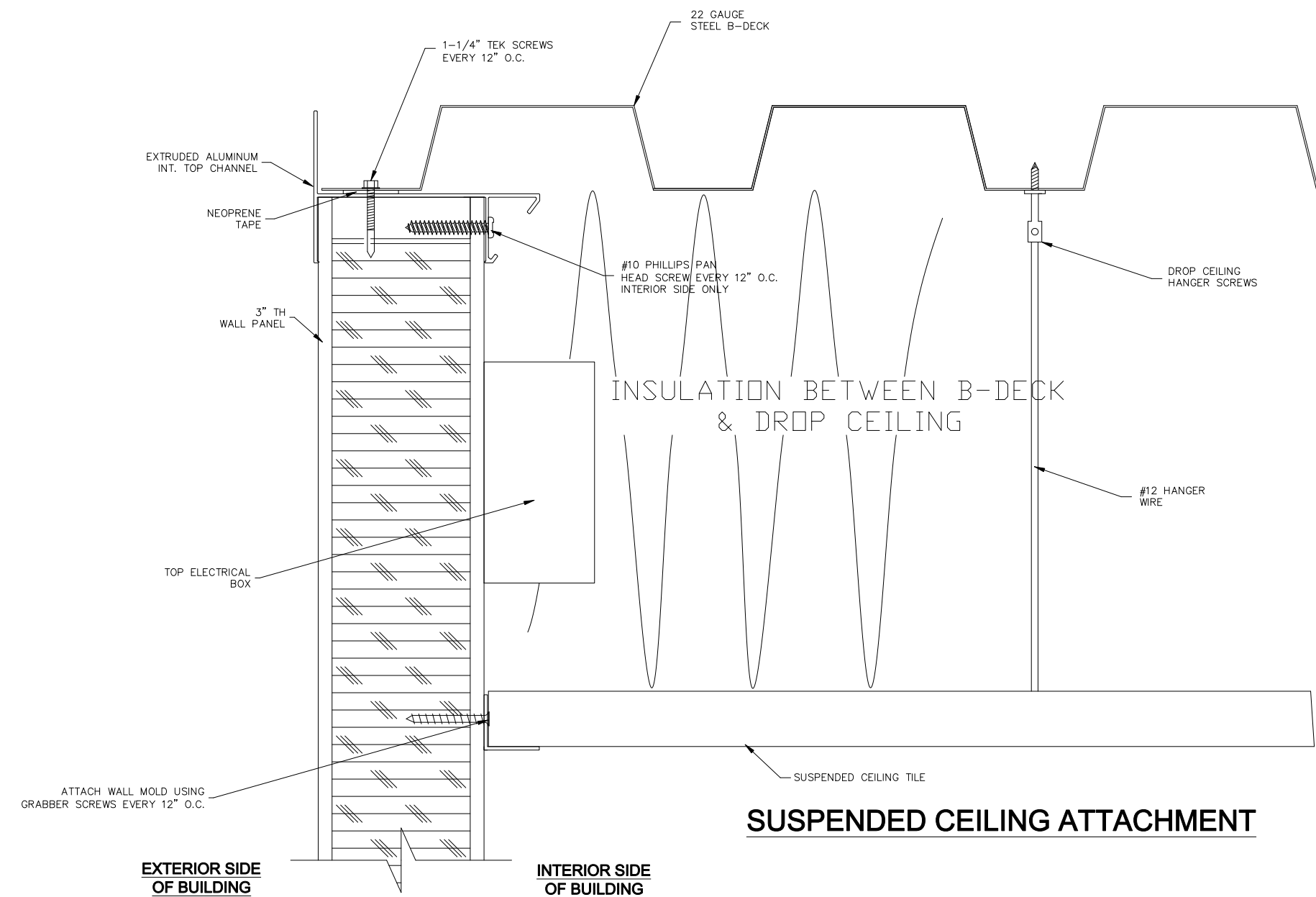
INTERIOR TOP CHANNEL ATTACHMENT



POP RIVETED CORNER DETAIL



NON-LOADBEARING B-DECK TO TOP CHANNEL ROOF SYSTEM



SUSPENDED CEILING ATTACHMENT

DEALER:

JOB NUMBER: 0000

DATE: 06/27/2006

THIS DRAWING IS THE PROPERTY OF PANEL-BUILT, INC. AND MAY NOT BE USED WITHOUT EXPRESS WRITTEN PERMISSION OF PANEL-BUILT, INC. ALL INFORMATION SHOWN ON THIS DRAWING IS THE PROPERTY OF PANEL-BUILT, INC. AND MAY NOT BE USED IN WHOLE OR PART WITHOUT SPECIFIC WRITTEN PERMISSION OF PANEL-BUILT, INC.

PANEL-BUILT

PHONE #: 706-745-6540 FAX #: 706-745-1450

CUSTOMER

REV #	DESC	DATE

DRWN BY: A. THOMPSON CHK'D BY: J. WALLACE PAGE: 2 OF 2