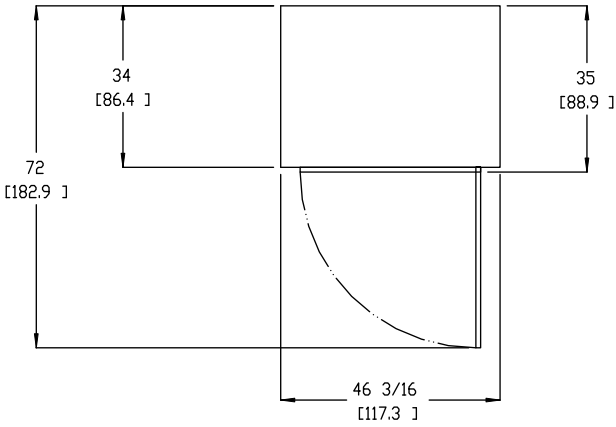


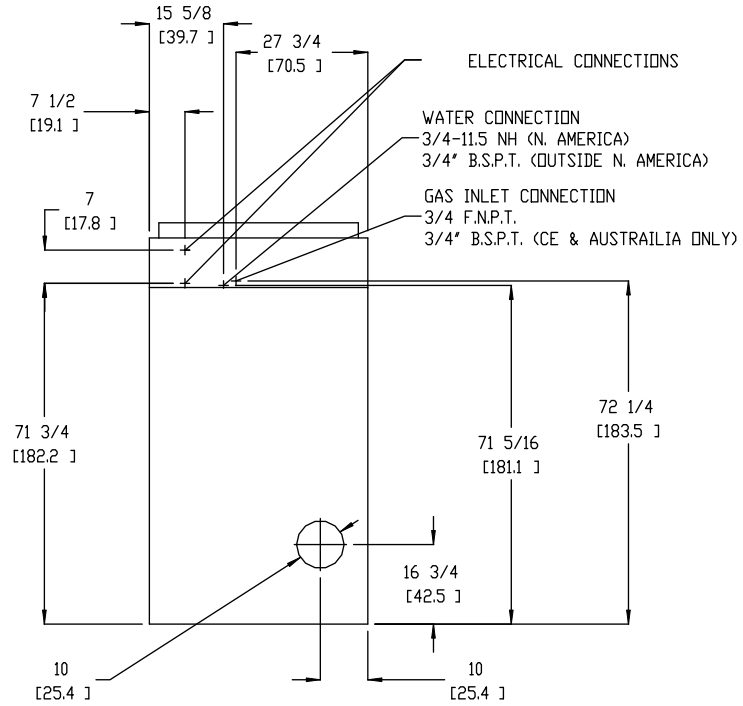
# ML-78

**DRYER NOTES:**

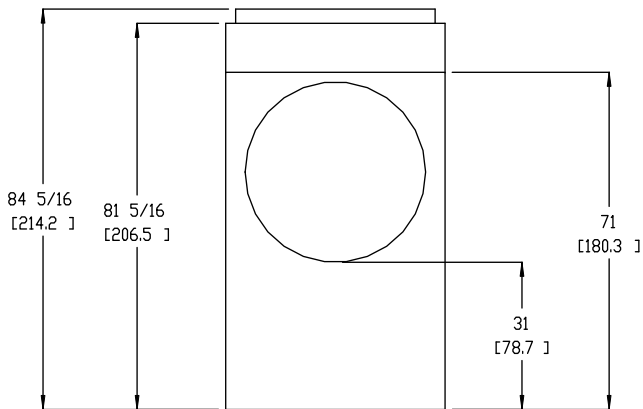
- \* A MINIMUM OF 3/4 in PIPE MUST BE SUPPLIED TO THE GAS INLET FOR EACH DRYER. SIZE OF PIPING TO DRYER VARIES WITH INSTALLATION CONDITIONS.
- \* TOP SECTION CAN BE REMOVED FOR EASY INSTALLATION. WITH TOP MODULE REMOVED THE HEIGHT OF THE CABINET IS REDUCED TO 71 in. (180.3 cm).
- \* 3 in (7.62 cm) HIGH COVER PANEL IS REMOVABLE FOR EASE OF INSTALLATION, REDUCING THE CABINET HEIGHT TO 81 5/16 in (207 cm).
- \* DUCTWORK SIZE VARIES WITH INSTALLATION CONDITIONS.
- \* EXHAUST STATIC PRESSURE MUST BE NO LESS THAN 0 AND MUST NOT EXCEED 0.3" (0.74 MB) WATER COLUMN.



PLAN VIEW



REAR VIEW  
(GAS & ELECTRIC)



FRONT VIEW  
(GAS & ELECTRIC)